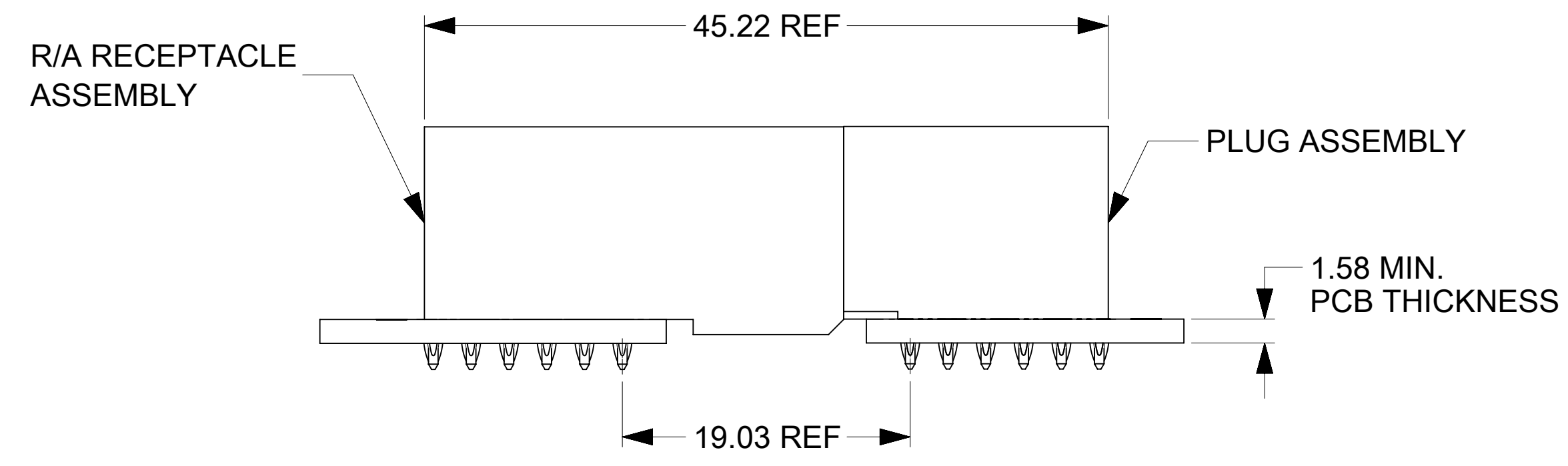
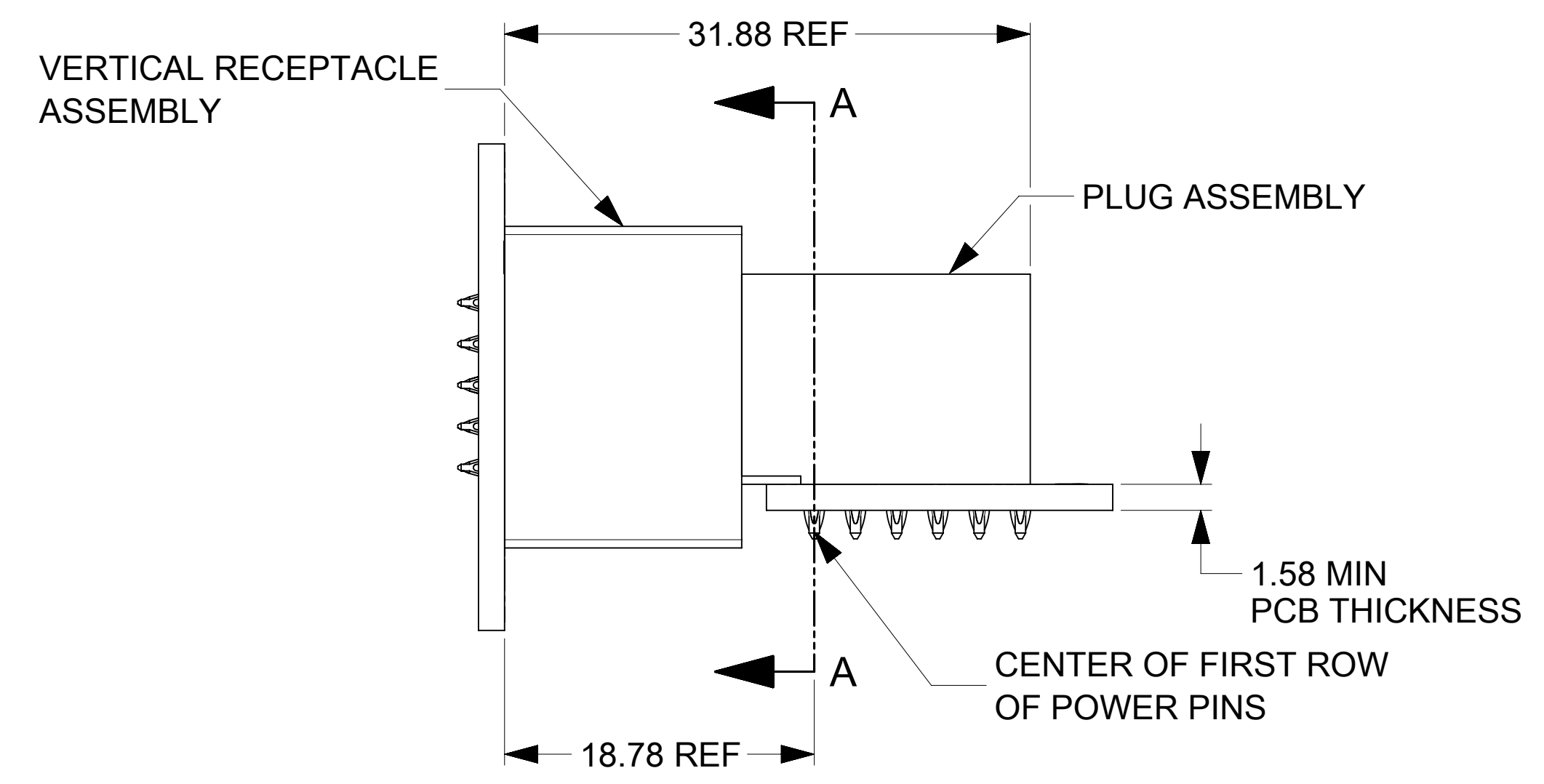


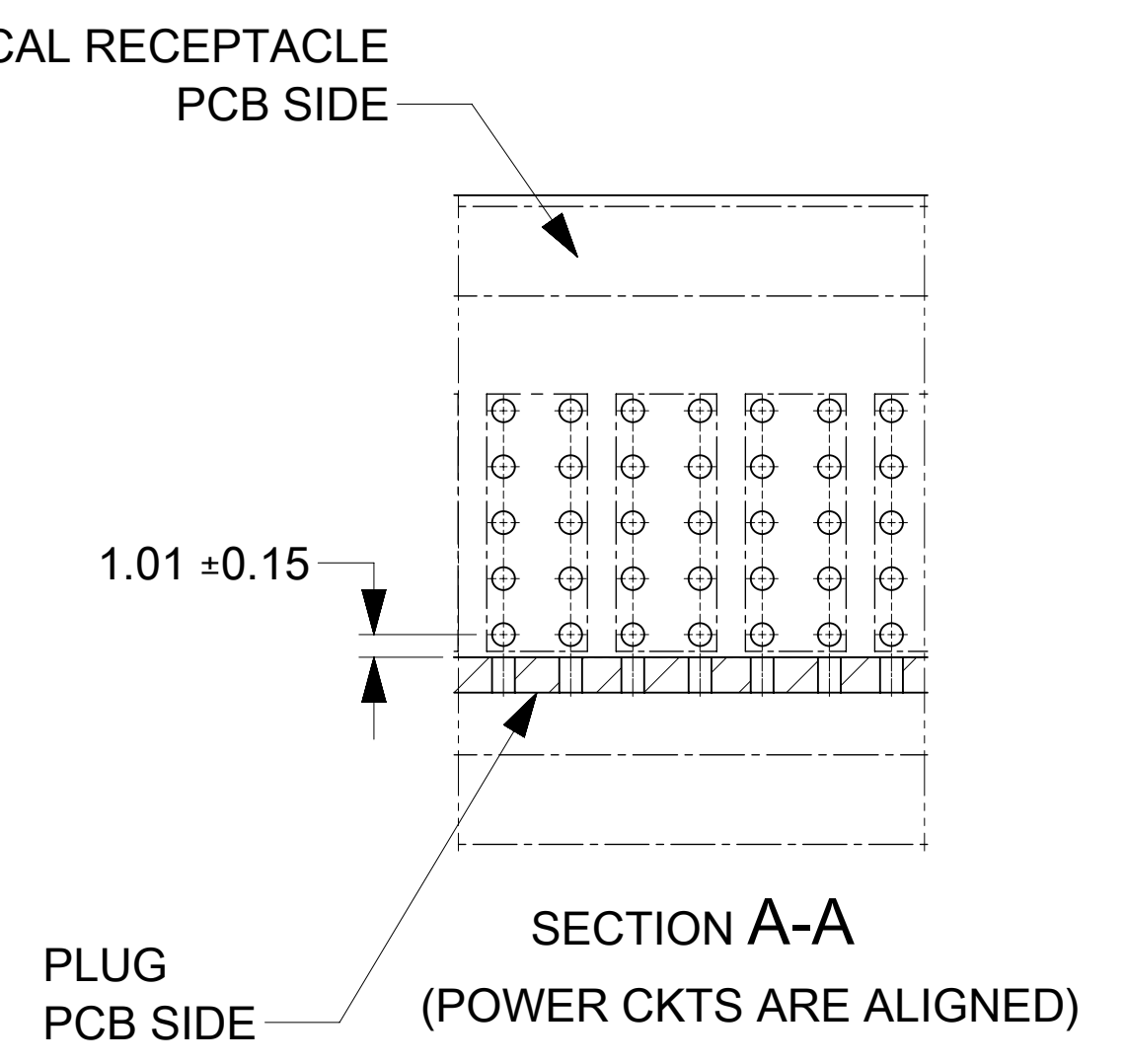
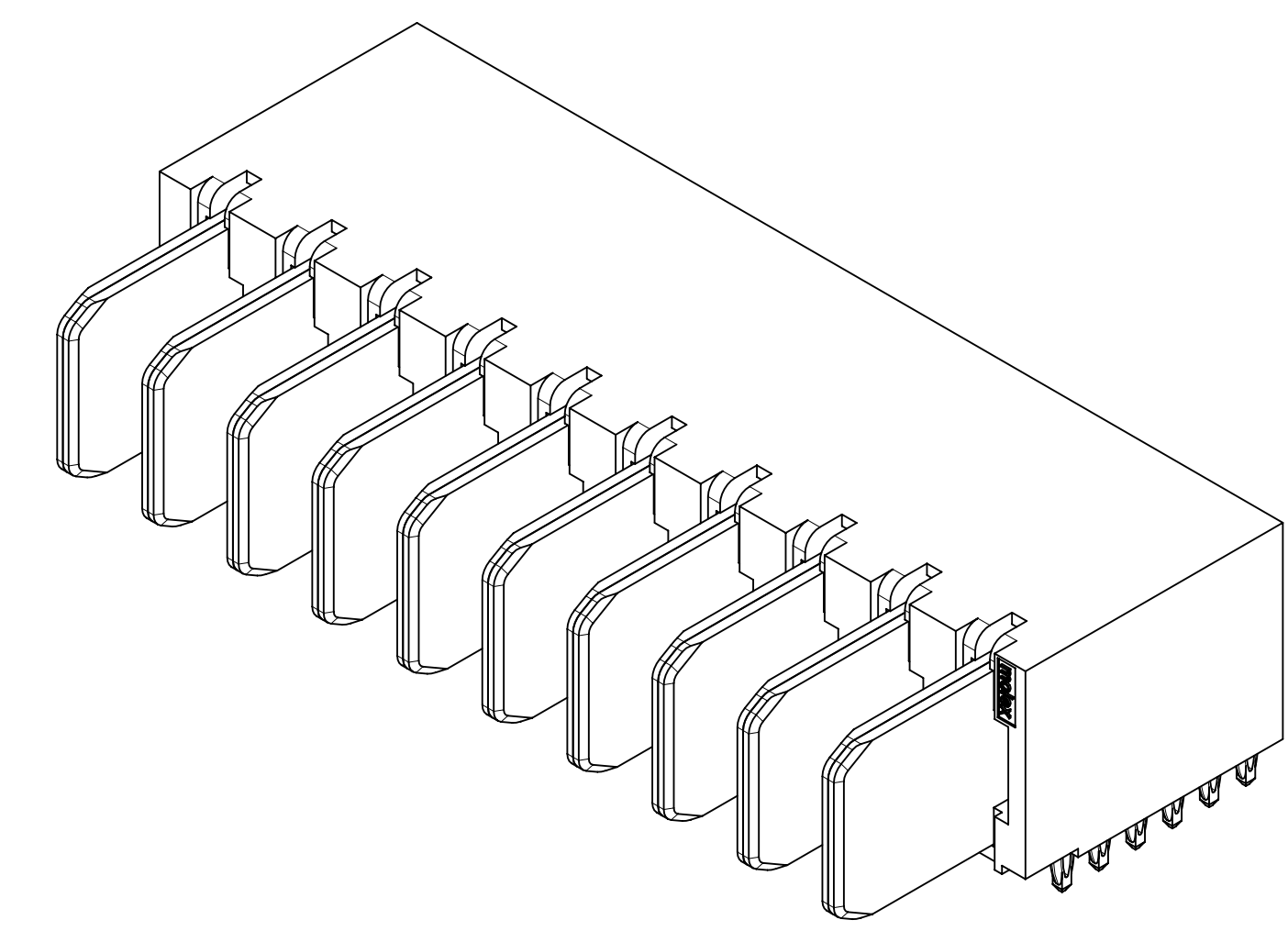
RECOMMENDED PCB LAYOUT AND KEEP-OUT ZONE



PLUG MATED TO R/A RECEPTACLE MATED PROFILE



PLUG MATED TO VERTICAL RECEPTACLE MATED PROFILE



NOTES:

- MATERIAL:
 - HOUSINGS: LCP UL94, V-0, COLOR : BLACK
 - TERMINALS: HIGH CONDUCTIVITY COPPER ALLOY
 - PLATING: 1.27 μm (50 μin) NICKEL OVERALL WITH 2.54 μm (100 μin) SELECTIVE TIN ON TAILS AND 0.762 μm (30 μin) SELECTIVE GOLD ON CONTACT AREA
- PACKAGING: ASSEMBLIES TO BE TRAY PACKED PER PACKAGING SPEC: 2141130010-PK.
- PLATED THRU HOLE SIZE, REFER TO PRODUCT SPEC. FOR DETAILS.
- PRODUCT SPEC: 2141130000-PS.
- PRODUCT TO MEET RoHS REQUIREMENTS.
- PLUG ASSEMBLY MATES TO MOLEX RECEPTACLES 219563XXXX-SD AND 219564XXXX-SD, SEE DRAWINGS FOR DETAILS.
- TAIL DESIGN: COMPLIANT PIN.
- POWER TERMINALS ARE LUBRICATED.
- APPLICATION SPECIFICATION: 2141130000-AS (FOR COMPLIANT TAILS ONLY).

THIS DRAWING CONTAINS INFORMATION THAT IS PROPRIETARY TO MOLEX ELECTRONIC TECHNOLOGIES, LLC AND SHOULD NOT BE USED WITHOUT WRITTEN PERMISSION									
DIMENSION UNITS	SCALE	CURRENT REV DESC:							
mm	3:1								
GENERAL TOLERANCES (UNLESS SPECIFIED)									
ANGULAR TOL	± °								
4 PLACES	±	EC NO: 745288							
3 PLACES	±	DRWN: LZABJANOVSKI 2023/03/21							
2 PLACES	± 0.25	CHK'D: JAYK1 2023/04/10							
1 PLACE	± 0.3	APPR: JAYK1 2023/04/10							
0 PLACES	±	INITIAL REVISION:							
DRAFT WHERE APPLICABLE MUST REMAIN WITHIN DIMENSIONS		THIRD ANGLE PROJECTION		DRAWING		SERIES		MATERIAL NUMBER	
		D-SIZE		219562		SEE CHART		CUSTOMER	
DOCUMENT STATUS		P1		RELEASE DATE		2023/04/11 17:04:40		SHEET NUMBER	
								1 OF 2	

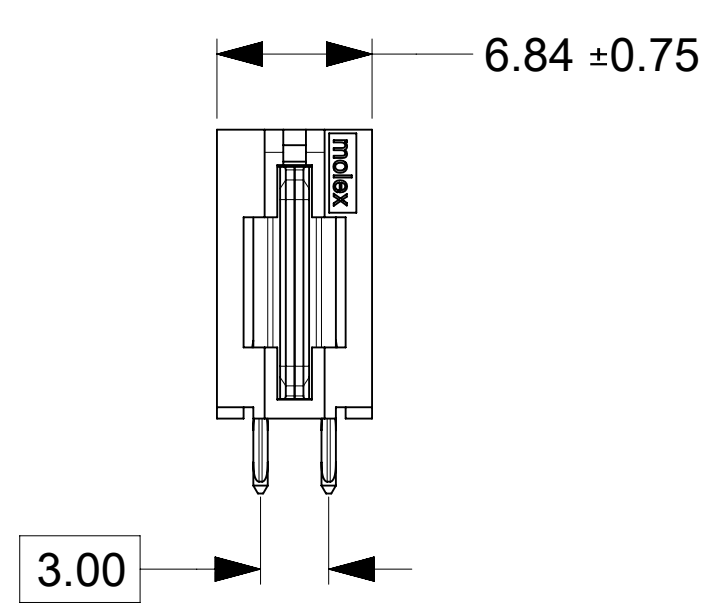


GUARDIAN HD RA PLUG POWER ONLY
UNGUIDED PF

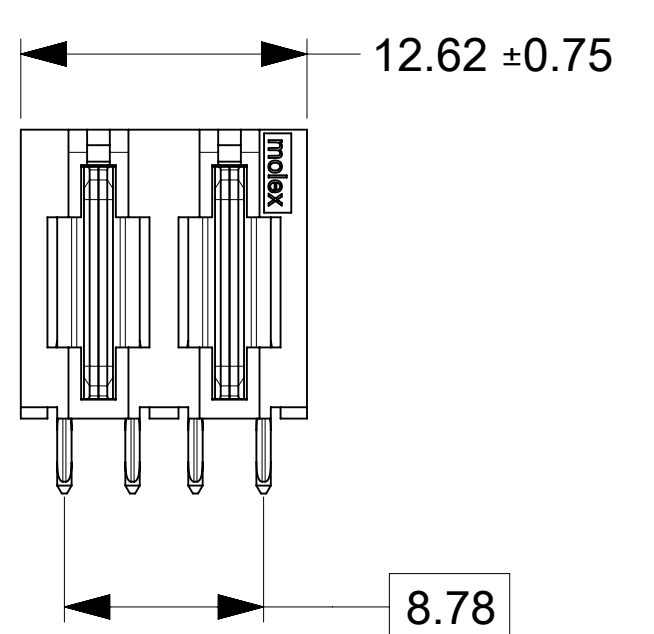
PRODUCT CUSTOMER DRAWING

DOCUMENT NUMBER	DOC TYPE	DOC PART	REVISION
2195629003-SD	PSD	000	A1

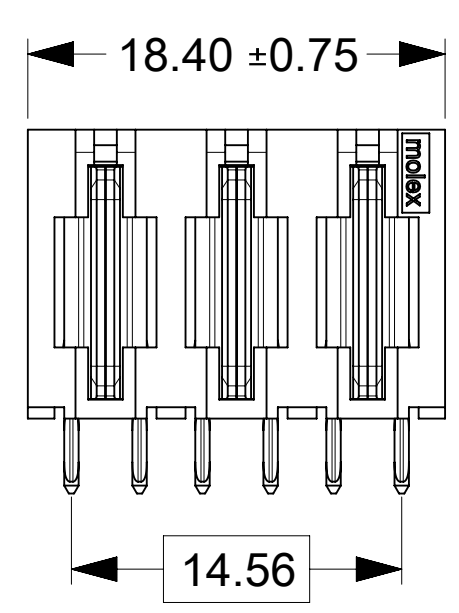
PART NUMBER	CONFIGURATION	QUANTITY PER CARTON (DU)
219562-0031	1P	656



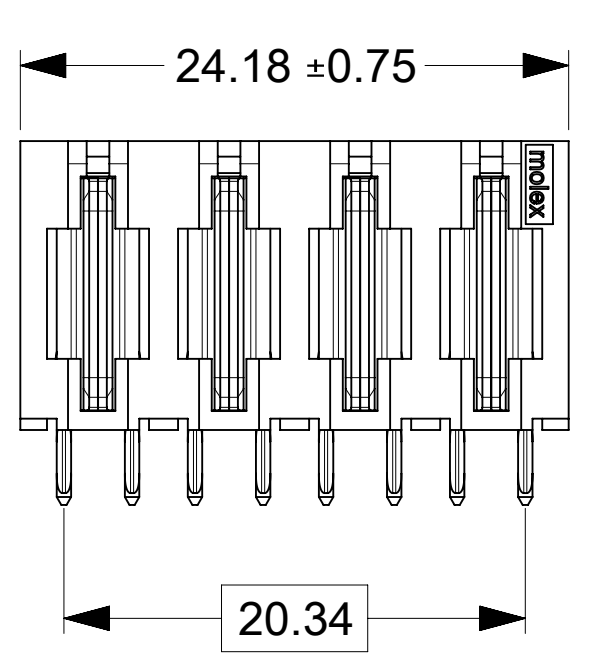
PART NUMBER	CONFIGURATION	QUANTITY PER CARTON (DU)
219562-0032	2P	352



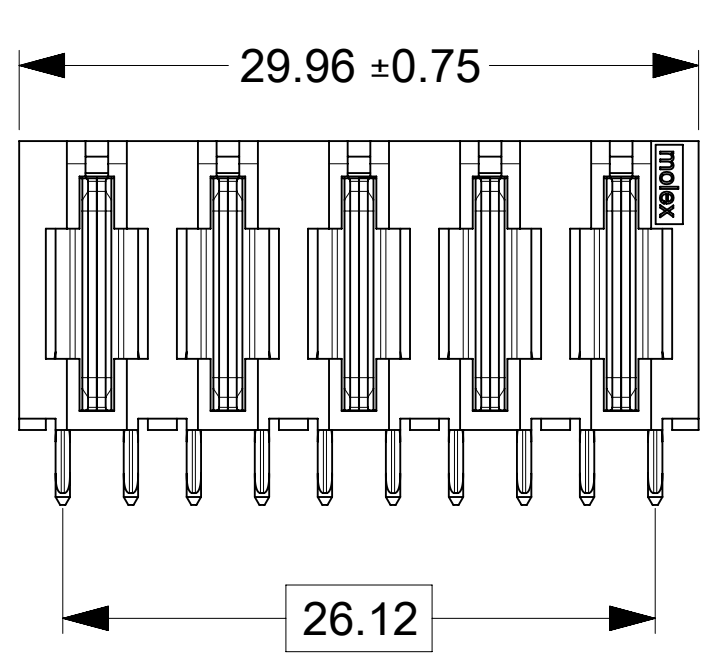
PART NUMBER	CONFIGURATION	QUANTITY PER CARTON (DU)
219562-0033	3P	240



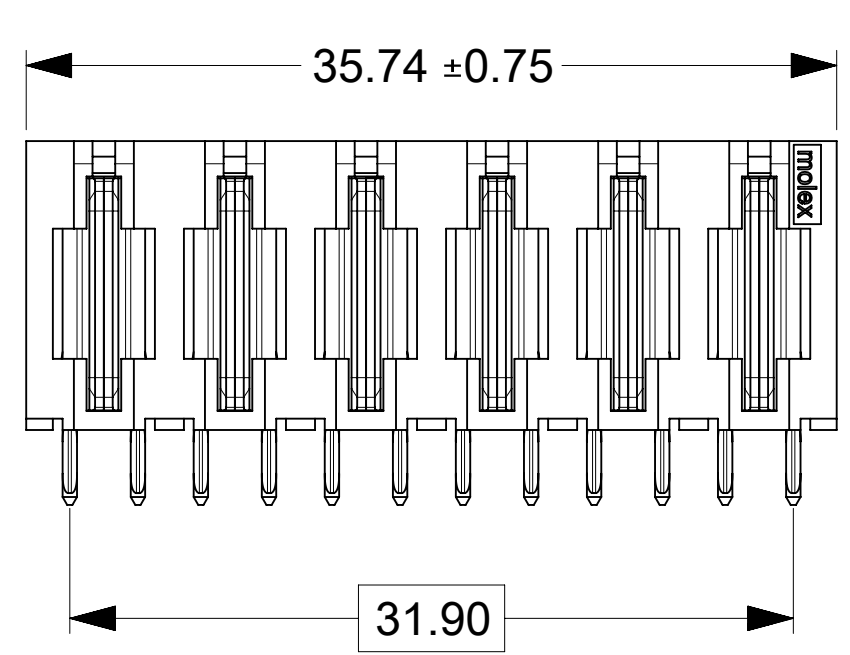
PART NUMBER	CONFIGURATION	QUANTITY PER CARTON (DU)
219562-0034	4P	176



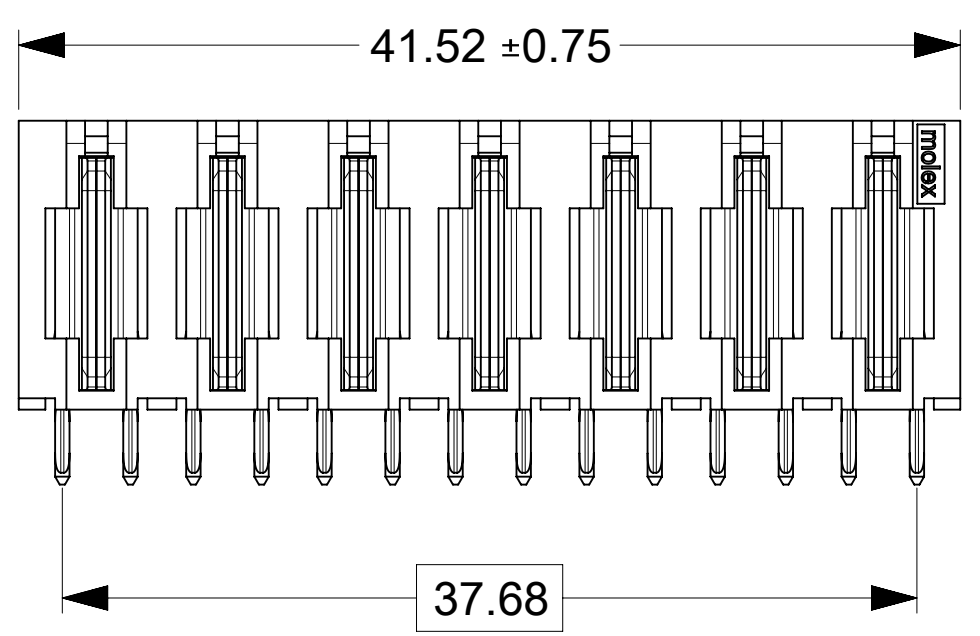
PART NUMBER	CONFIGURATION	QUANTITY PER CARTON (DU)
219562-0035	5P	144



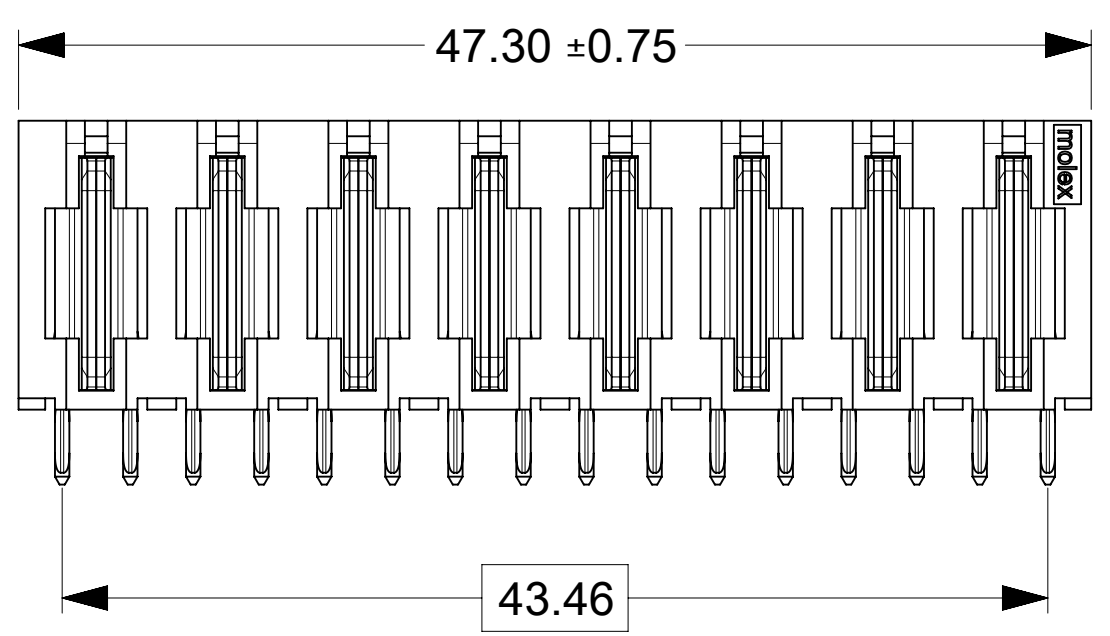
PART NUMBER	CONFIGURATION	QUANTITY PER CARTON (DU)
219562-0036	6P	112



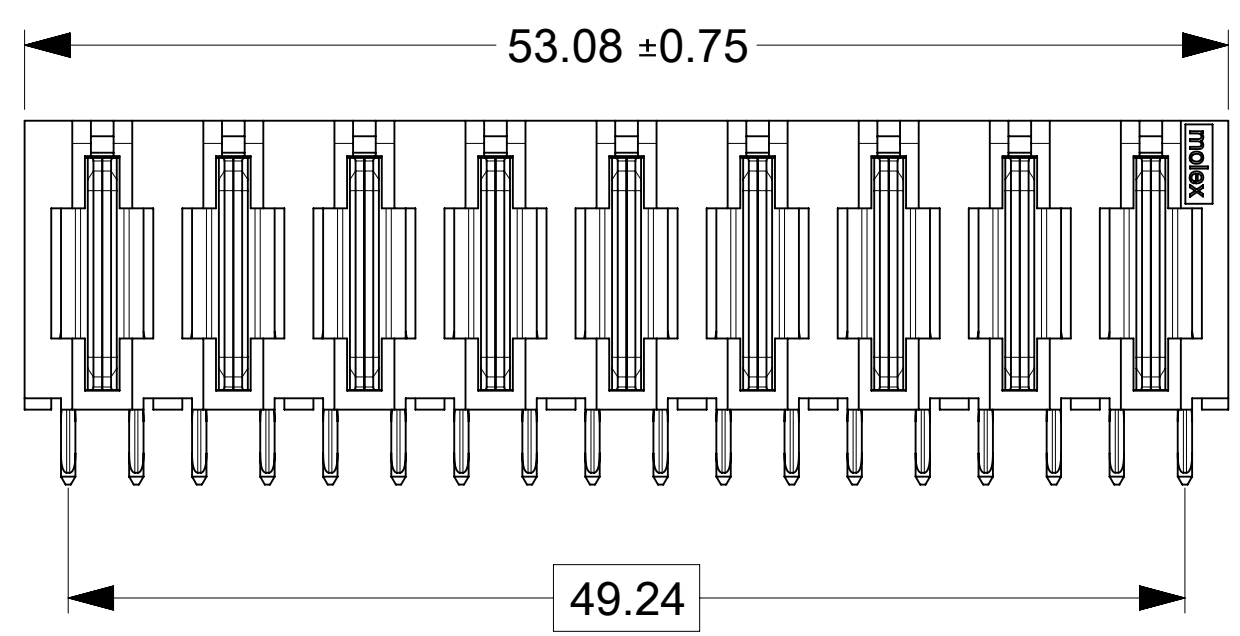
PART NUMBER	CONFIGURATION	QUANTITY PER CARTON (DU)
219562-0037	7P	96



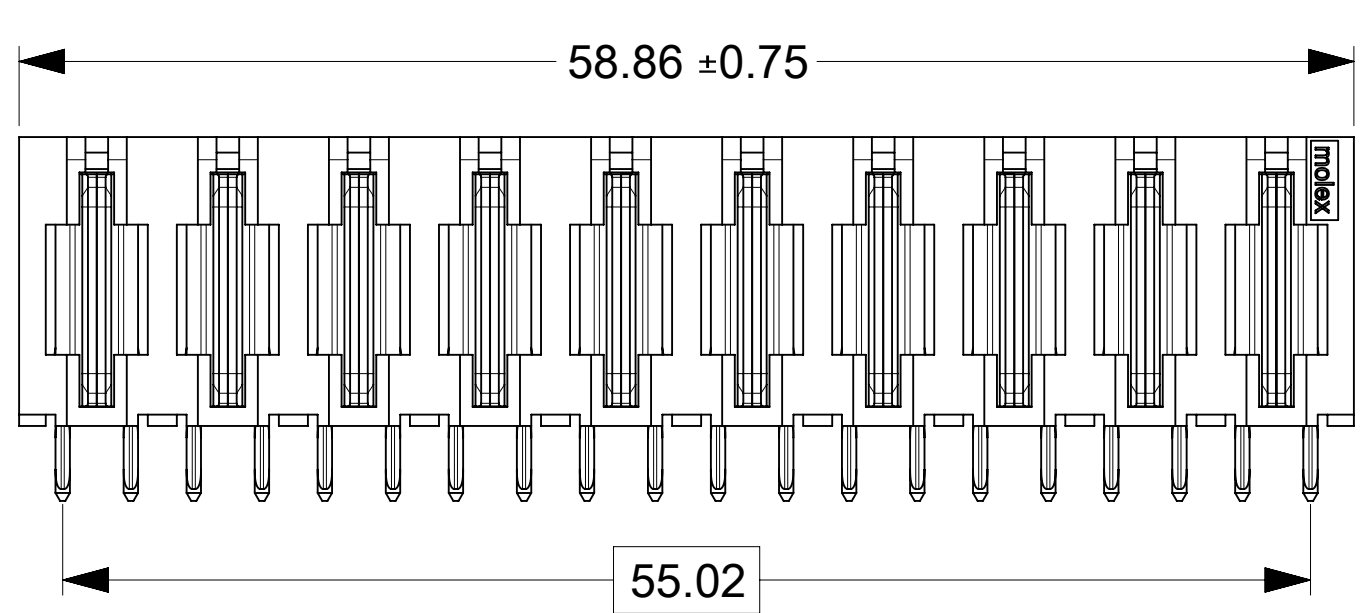
PART NUMBER	CONFIGURATION	QUANTITY PER CARTON (DU)
219562-0038	8P	96



PART NUMBER	CONFIGURATION	QUANTITY PER CARTON (DU)
219562-0039	9P	80



PART NUMBER	CONFIGURATION	QUANTITY PER CARTON (DU)
219562-0040	10P	64



THIS DRAWING CONTAINS INFORMATION THAT IS PROPRIETARY TO MOLEX ELECTRONIC TECHNOLOGIES, LLC AND SHOULD NOT BE USED WITHOUT WRITTEN PERMISSION

DIMENSION UNITS	SCALE	CURRENT REV DESC:	
mm	3:1		
GENERAL TOLERANCES (UNLESS SPECIFIED)			
ANGULAR TOL	±	°	
4 PLACES	±		
3 PLACES	±		
2 PLACES	±	0.25	
1 PLACE	±	0.3	
0 PLACES	±		
DRAFT WHERE APPLICABLE MUST REMAIN WITHIN DIMENSIONS		THIRD ANGLE PROJECTION	DRAWING
		D-SIZE	SERIES
		219562	219562
		MATERIAL NUMBER	CUSTOMER
		SEE CHART	
		SHEET NUMBER	2 OF 2

molex

GUARDIAN HD RA PLUG POWER ONLY
UNGUIDED PF

PRODUCT CUSTOMER DRAWING

DOCUMENT NUMBER	DOC TYPE	DOC PART	REVISION
2195629003-SD	PSD	000	A1