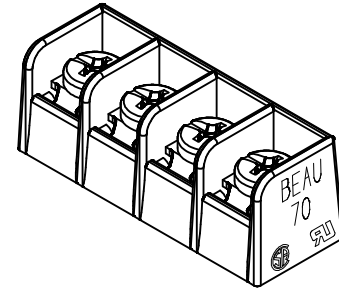
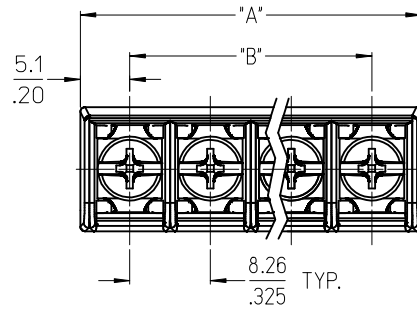
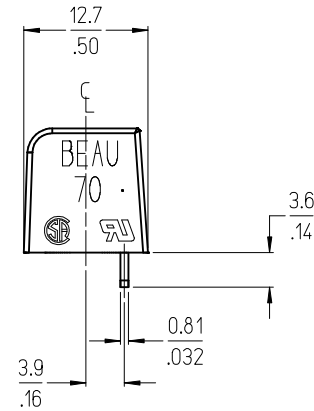
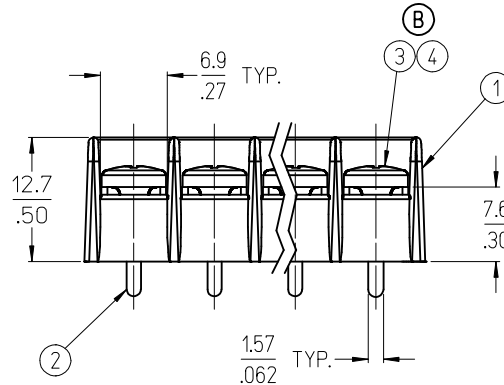


REF. -50 OPT. SCREW
(WHERE APPLICABLE)



4 CIRCUIT SHOWN



NOTES:

1. MATERIAL: SEE TABLE
2. FINISHES: SEE TABLE
3. "XX" REFERS TO THE QUANTITY OF CIRCUITS
4. ROHS COMPLIANT

| | | | | | | | | | | | | | | | | |
|------|------|-------------|---|-----------------|--------------------|--|--|---------------------------------------|---|--------------------------|--------------------|--|------------------------------|------------------------|--|--|
| 5 | | XX | SCREW&WASHER, #6-32X.25, PAN, PH/SL (-50 OPT) | STEEL | ZN, CLEAR CHROMATE | ADD STD AND -49 OPT EC NO: MNA2009-0702 /DRWN: JENC INAS 2009/05/26 /CHKD: CYORK 2009/05/27 /APPR: JIMAGNE ILL 2009/05/27 B REV | QUALITY SYMBOLS ▽=0 ▽=0 | GENERAL TOLERANCES (UNLESS SPECIFIED) | | DIMENSION STYLE MM/IN | | SCALE 2:1 | DESIGN UNITS INCH | THIRD ANGLE PROJECTION | | |
| 4 | | XX | SCREW, #6-32X.25, PAN, PH/SL (-49 OPT) | BRASS | NICKEL PLATE | | | 4 PLACES ± --- ± --- | INCH | DRAWN BY R. KEMP | DATE 2003/05/16 | TITLE 8.26MM [.325] SR BTS, CS PC, NO MTG. ENDS | | | | |
| 3 | | XX | SCREW, #6-32X.25, PAN, PH/SL (STD.) | STEEL | ZN, CLEAR CHROMATE | | | 3 PLACES ± --- ± .005 | | CHECKED BY P. WALTZ | DATE 2003/05/22 | | | | | |
| 2 | | XX | TERMINAL, PC | BRASS | TIN PLATE | | | 2 PLACES ± 0.13 ± .01 | | APPROVED BY P. WALTZ | DATE 2003/05/22 | MOLEX INCORPORATED | | | | |
| 1 | | 1 | INSULATOR, SR BTS PC CS 2 MO C | POLYESTER (PBT) | BLACK | | | 1 PLACE ± 0.3 ± --- | | MATERIAL NO. | | SEE SHT. 2 | DOCUMENT NO. SD-38704-001 | SHEET NO. 1 OF 2 | | |
| ITEM | QTY. | DESCRIPTION | | | MATERIAL | FINISH | DRAFT WHERE APPLICABLE MUST REMAIN WITHIN DIMENSIONS | | THIS DRAWING CONTAINS INFORMATION THAT IS PROPRIETARY TO MOLEX INCORPORATED AND SHOULD NOT BE USED WITHOUT WRITTEN PERMISSION | | | | | | | |

10 9 8 7 6 5 4 3 2 1

| NO. OF CIRCUITS | DIM. "A" | | DIM. "B" | | ASSEMBLY MATERIAL NO. (STANDARD) | ASSEMBLY MATERIAL NO. (-49 OPT) | ASSEMBLY MATERIAL NO. (-50 OPT) |
|-----------------|----------|------|----------|-------|----------------------------------|---------------------------------|---------------------------------|
| | mm | in | mm | in | | | |
| 02 | 18.5 | 0.73 | 8.26 | .325 | 387044102 | 387044502 | 387044902 |
| 03 | 26.8 | 1.06 | 16.51 | .650 | 387044103 | 387044503 | 387044903 |
| 04 | 35.1 | 1.38 | 24.77 | .975 | 387044104 | 387044504 | 387044904 |
| 05 | 43.3 | 1.70 | 33.02 | 1.300 | 387044105 | 387044505 | 387044905 |
| 06 | 51.5 | 2.03 | 41.28 | 1.625 | 387044106 | 387044506 | 387044906 |
| 07 | 59.8 | 2.35 | 49.53 | 1.950 | 387044107 | 387044507 | 387044907 |
| 08 | 68.0 | 2.68 | 57.79 | 2.275 | 387044108 | 387044508 | 387044908 |
| 09 | 76.3 | 3.00 | 66.04 | 2.600 | 387044109 | 387044509 | 387044909 |
| 10 | 84.6 | 3.33 | 74.30 | 2.925 | 387044110 | 387044510 | 387044910 |
| 11 | 92.8 | 3.65 | 82.55 | 3.250 | 387044111 | 387044511 | 387044911 |
| 12 | 101.1 | 3.98 | 90.81 | 3.575 | 387044112 | 387044512 | 387044912 |
| 13 | 109.3 | 4.30 | 99.06 | 3.900 | 387044113 | 387044513 | 387044913 |
| 14 | 117.6 | 4.63 | 107.32 | 4.225 | 387044114 | 387044514 | 387044914 |
| 15 | 125.8 | 4.95 | 115.57 | 4.550 | 387044115 | 387044515 | 387044915 |
| 16 | 134.1 | 5.28 | 123.83 | 4.875 | 387044116 | 387044516 | 387044916 |

| SEE SHEET ONE EC NO: WNA2009-0702 DRWN: JENC INAS 2009/05/26 CHKD: CYORK 2009/05/27 APPR: JMAGNE II 2009/05/27 | QUALITY SYMBOLS ▽=0 ▽=0 | GENERAL TOLERANCES (UNLESS SPECIFIED) <table border="1"> <tr> <th></th> <th>mm</th> <th>INCH</th> </tr> <tr> <td>4 PLACES</td> <td>± ---</td> <td>± ---</td> </tr> <tr> <td>3 PLACES</td> <td>± ---</td> <td>± .005</td> </tr> <tr> <td>2 PLACES</td> <td>± 0.13</td> <td>± .01</td> </tr> <tr> <td>1 PLACE</td> <td>± 0.3</td> <td>± ---</td> </tr> </table> | | mm | INCH | 4 PLACES | ± --- | ± --- | 3 PLACES | ± --- | ± .005 | 2 PLACES | ± 0.13 | ± .01 | 1 PLACE | ± 0.3 | ± --- | DIMENSION STYLE MM/IN | SCALE 1:1 | DESIGN UNITS INCH | THIRD ANGLE PROJECTION |
|--|-------------------------------|--|------------------------------|---------------------|------|----------|-------|-------|----------|-------|--------|----------|--------|-------|---------|-------|-------|--------------------------|--------------|----------------------|------------------------|
| | | mm | INCH | | | | | | | | | | | | | | | | | | |
| | 4 PLACES | ± --- | ± --- | | | | | | | | | | | | | | | | | | |
| | 3 PLACES | ± --- | ± .005 | | | | | | | | | | | | | | | | | | |
| 2 PLACES | ± 0.13 | ± .01 | | | | | | | | | | | | | | | | | | | |
| 1 PLACE | ± 0.3 | ± --- | | | | | | | | | | | | | | | | | | | |
| DRAWN BY R. KEMP | DATE 2003/05/16 | TITLE 8.26MM [.325] SR BTS, CS PC, NO MTG. ENDS | | | | | | | | | | | | | | | | | | | |
| CHECKED BY P. WALTZ | DATE 2003/05/22 | MOLEX INCORPORATED | | | | | | | | | | | | | | | | | | | |
| APPROVED BY P. WALTZ | DATE 2003/05/22 | MATERIAL NO. SEE CHART | DOCUMENT NO. SD-38704-001 | SHEET NO. 2 OF 2 | | | | | | | | | | | | | | | | | |

9 8 7 6 5 4 3 2 1