

- 1
- 2
- 3
- 4**
- 5
- 6
- 7
- 8
- 9
- 10
- 11
- 12
- 13
- 14
- 15
- 16
- 17
- 18

**MATERIAL**

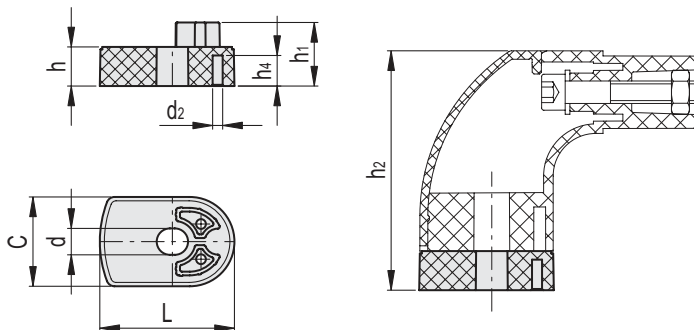
Glass-fibre reinforced polyamide based (PA) technopolymer, black colour or white similar to RAL 9002 (CLEAN), matte finish.

**FEATURES AND APPLICATIONS**

Spacer sleeves for ETH tubular handles have been designed to increase the distance between the handle and the fitting surface.



ELESA Original design **ERGOSTYLE**



Conversion Table	
1 mm = 0.039 inch	
d	
mm	inch
11	0.43

**METRIC**

Code	Description	Code	Description	L	d	h	h1	h2	h4	d2	C	⚖️
15251	DS-ETH.35-16	15256	DS-ETH.35-16-CLEAN	55.5	11	16	26	101.5	12.5	4	37	24
15253	DS-ETH.35-32	15258	DS-ETH.35-32-CLEAN	55.5	11	32.5	42.5	118	15	4	37	44