

Description:

10/100/1000 Base-T single port (1x1) RJ45 integrated connector module (ICM), designed to support Network Interface Cards (NIC), LAN-on-Motherboard (LOM), and PC applications. Available in Tab-UP configuration, and with or without LEDs.



Features and Benefits:

- ✔ RoHS peak wave solder temperature rating 260°C
- ✔ Suitable for CAT 5 and 6 Fast Ethernet cable or better UTP

Electrical Performance Summary:

- ✔ Meets IEEE 802.3 specification
- ✔ 350μH minimum OCL with 8mA bias current
- ✔ High performance for maximum EMI suppression

Electrical Specifications @ 25°C — Operating Temperature 0°C to +70°C

RoHS Part No.	Tab Orientation	LEDs ¹ L/R	Insertion Loss TX/RX (dB)	Return Loss (dB TYP) 100Ω (±15Ω)					Crosstalk (dB TYP)			Common Mode Rejection (dB TYP)		Hipot (MIN) @60Hz 1 MIN
				1-100 MHz	1-10 MHz	30 MHz	60-80 MHz	80-100 MHz	1-10 MHz	32-65 MHz	65-100 MHz	1-125 MHz	125-500 MHz	
JK0-0004NL	UP	G/G	-1.0	-20	-16	-12	-10	-40	-35	-30	-30	-20	1500Vrms	
JK0-0014NL	UP	G/G	-1.0	-20	-16	-12	-10	-40	-35	-30	-30	-20	1500Vrms	
JK0-0016NL	UP	Y-G/G	-1.0	-20	-16	-12	-10	-40	-35	-30	-30	-20	1500Vrms	
JK0-0017NL	UP	NONE	-1.0	-20	-16	-12	-10	-40	-35	-30	-30	-20	1500Vrms	
JK0-0018NL ²	UP	NONE	-1.0	-20	-16	-12	-10	-40	-35	-30	-30	-20	1500Vrms	
JK0-0036NL	UP	Y-G/G	-1.0	-20	-16	-12	-10	-40	-35	-30	-30	-20	1500Vrms	
JK0654219NL	UP	G/G	-1.0	-20	-16	-12	-10	-40	-35	-30	-30	-20	1500Vrms	

Notes: 1. LEDs Left/Right: G = green; Y = yellow; Y-G = Bicolor. 2. JK0-0018NL is supplied without EMI tabs; refer to Mechanical drawing for explanation of EMI tabs.

RJ45 Durability Testing Rating

Part Number	Mating Force (MAX)	Unmating Force (MAX)	Durability	Plug to Jack Retention (MIN)
JK Series	5 lbs./2.268 kgs.	5 lbs./2.268 kgs.	750 Insertions	20 lbs./9.072 kgs.

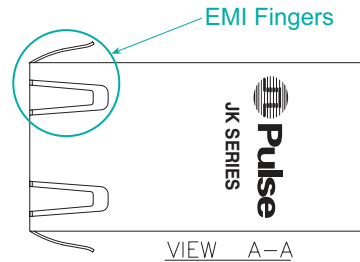
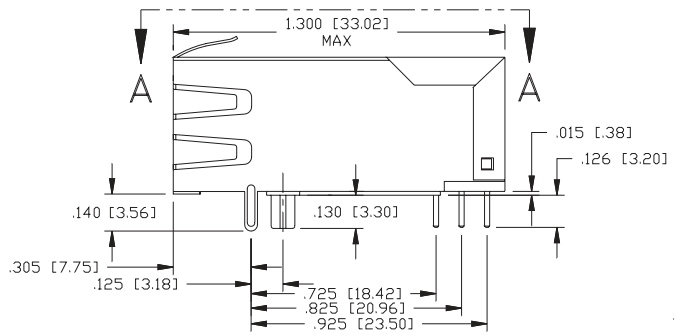
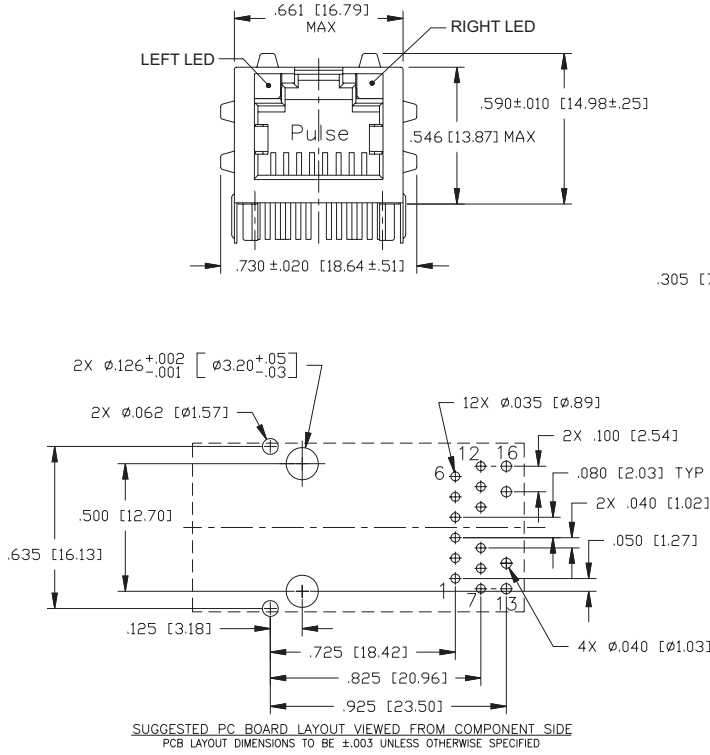
RJ45 Material Specification

Part Number	Shield		Contact			Housing		MSL Rating
	Material	Finish	Material	Plating Area	Solder Area	Material	Specification	
JK Series	Brass	20-40μ inches thick nickel over brass	Phosphor Bronze	15μ inches gold over 30-80μ inches nickel	Tin matte finish	Thermoplastic	UL 94 V-0	1

Notes: 1. Connector dimensions comply with FCC dimension requirements.

Mechanical

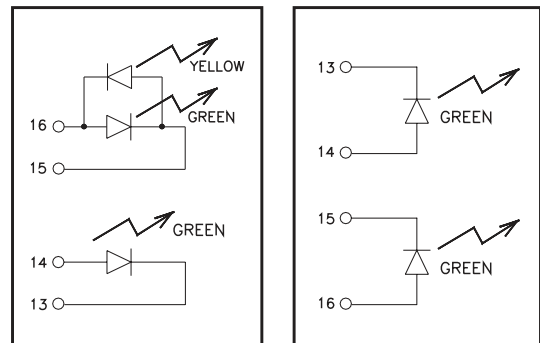
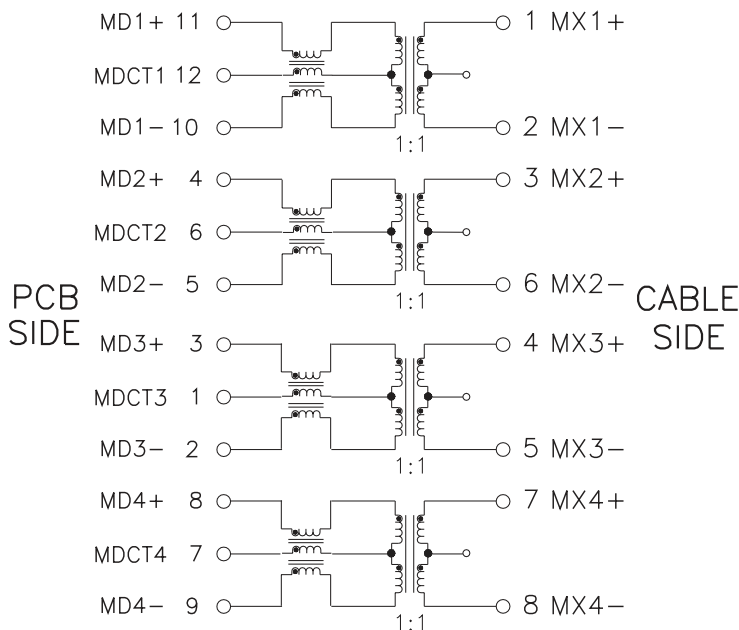
JK0-0004NL / JK0-001XNL / JK0-0036NL / JK0654219NL



NOTE: JK0-0017NL and JK0-0018NL are supplied without LEDs.

Schematic

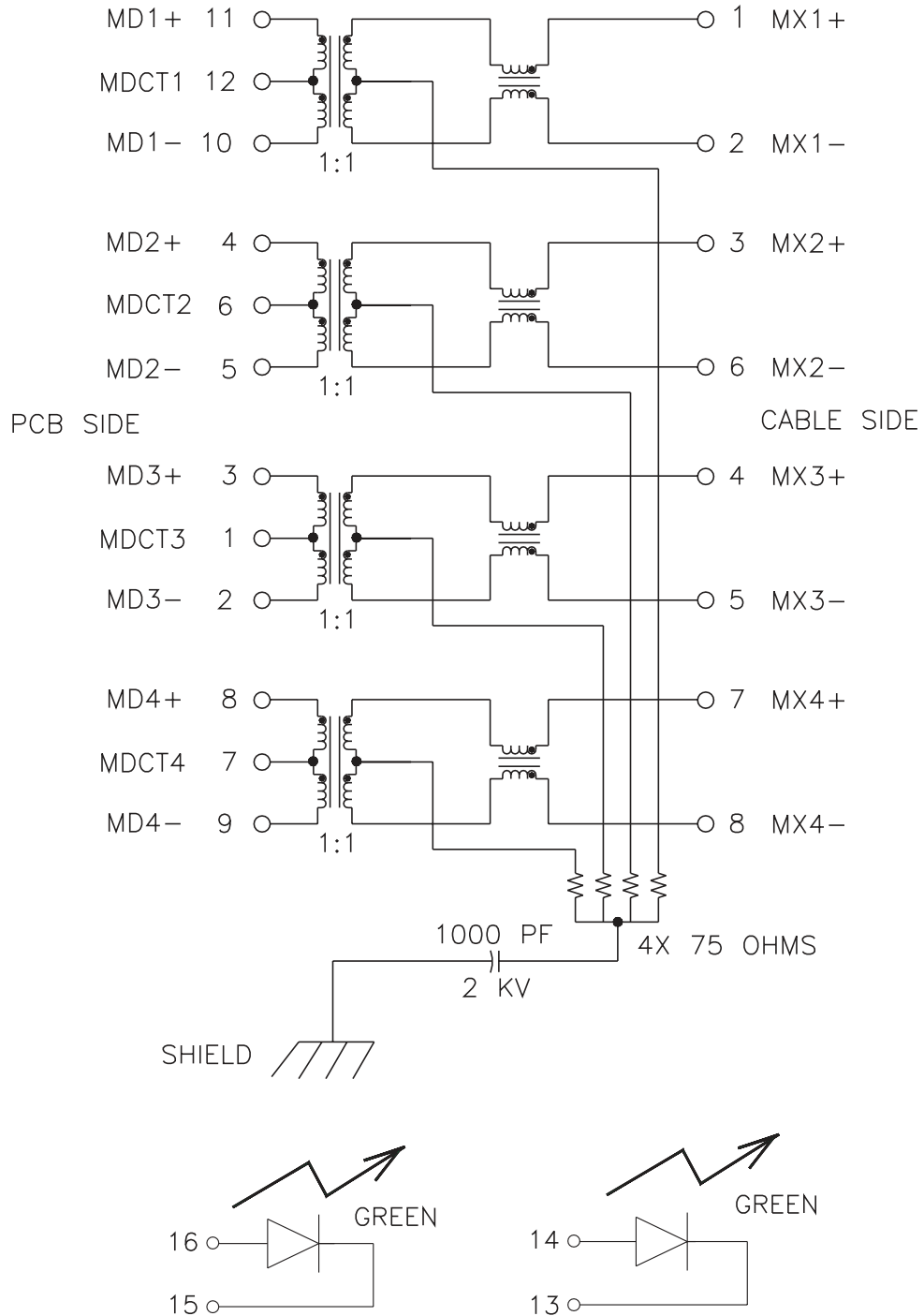
JK0-001XNL



NOTE: JK0-0017NL and JK0-0018NL are supplied without LEDs.

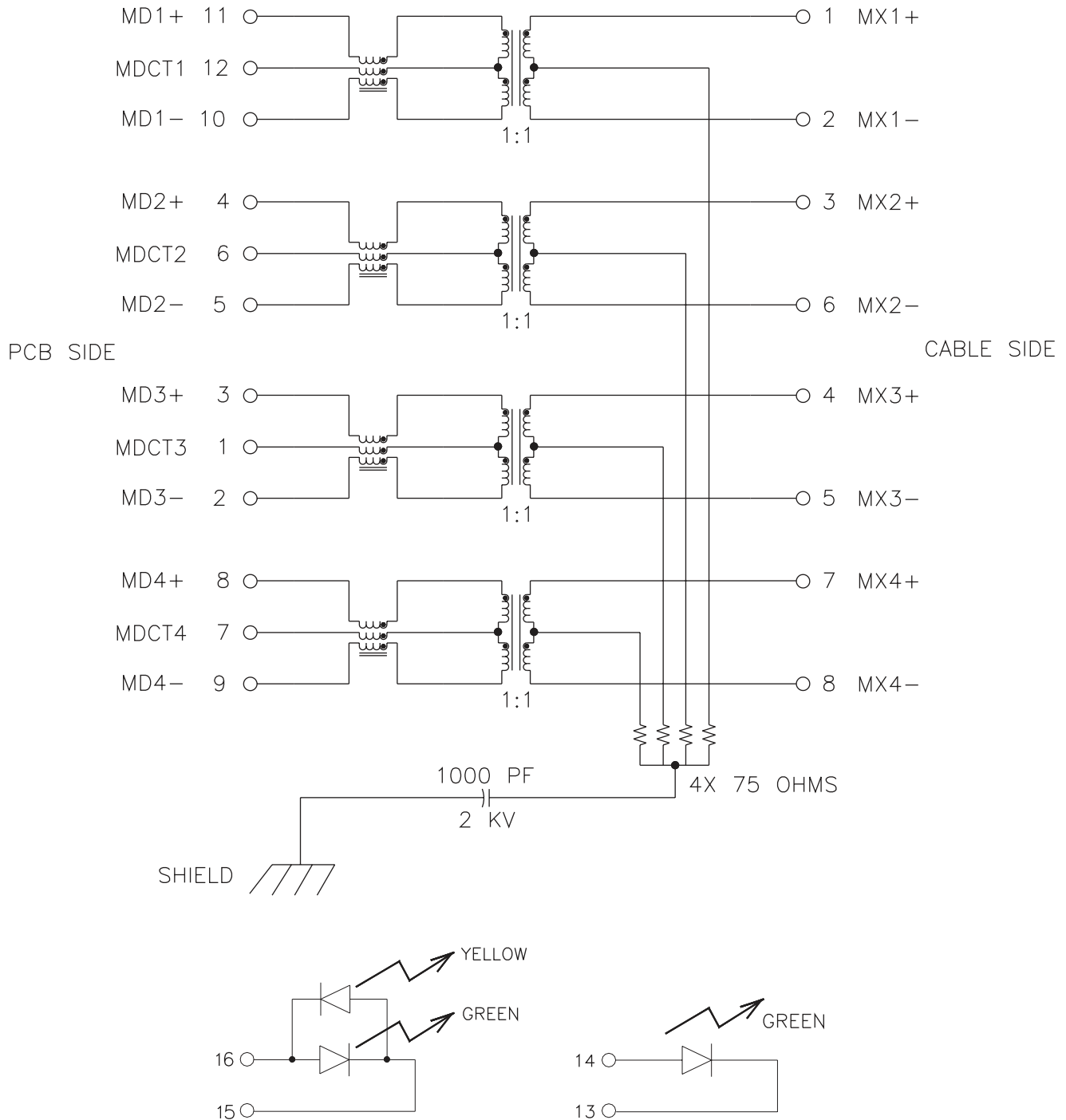
Schematic

JK0-0004NL



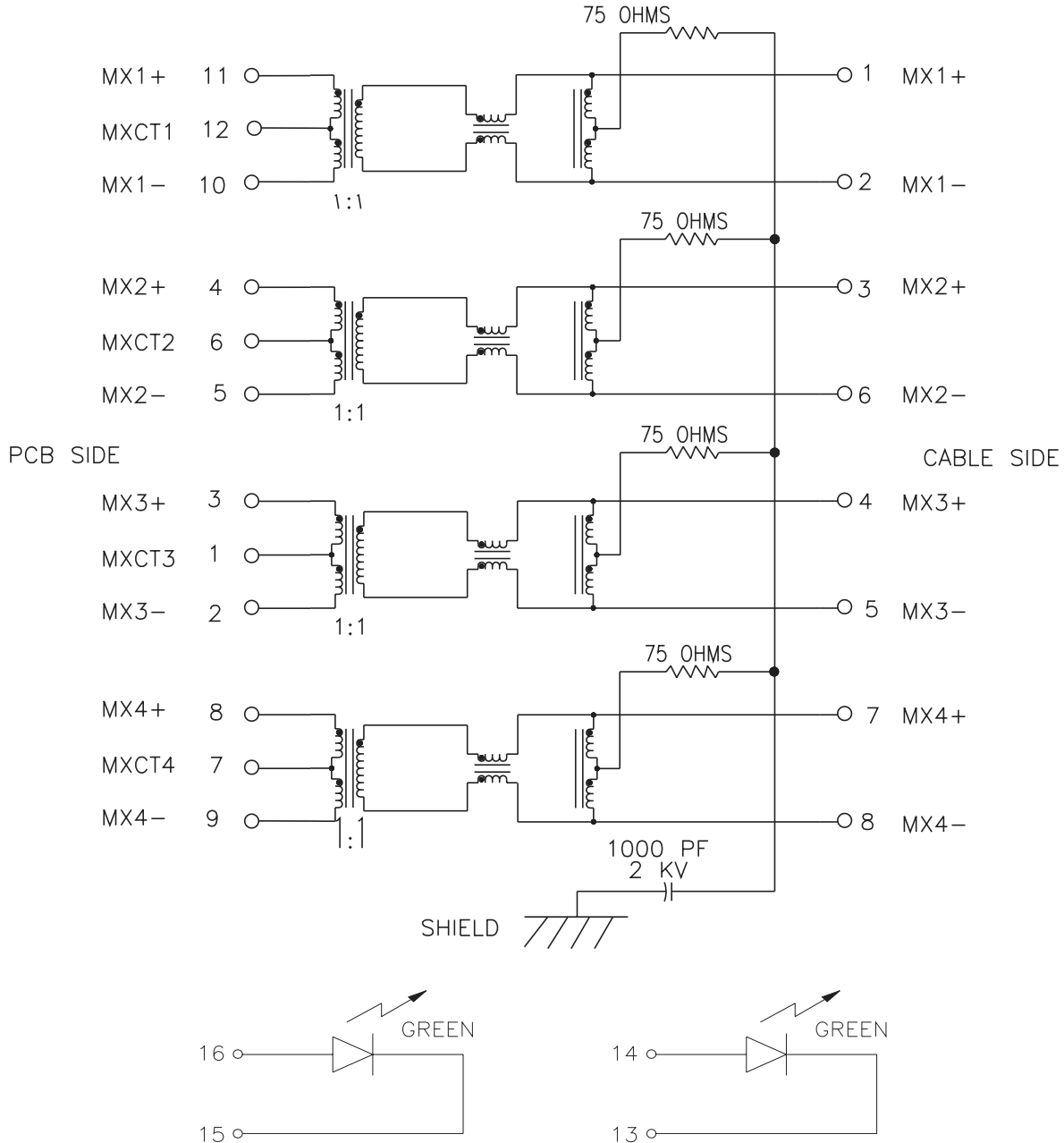
Schematic

JK0-0036NL



Schematic

JK0654219NL



For More Information:

Pulse Worldwide Headquarters
 12220 World Trade Dr.
 San Diego, CA 92128
 U.S.A.
www.pulseeng.com

Pulse European Headquarters
 Einsteinstrasse 1
 D-71083 Herrenberg
 Germany

Pulse China Headquarters
 B402, Shenzhen Academy of
 Aerospace Technology Bldg.
 10th Kejinan Rd.
 High-Tech Zone
 Nanshan District
 Shenzhen, PR China 518057
 TEL: 86 755 33966678
 FAX: 86 755 33966700

Pulse North China
 Room 1503
 XinYin Building
 No. 888 YiShan Rd.
 Shanghai 200233
 China
 TEL: 86 21 32181071
 FAX: 86 21 32181396

Pulse South Asia
 150 Kampong Ampat
 #07-01/02
 KA Centre
 Singapore 368324
 TEL: 65 6287 8998
 FAX: 65 6280 0080

Pulse North Asia
 No. 26
 Kao Ching Rd.
 Yang Mei Chen
 Taoyuan Hsien
 Taiwan, R. O. C.
 32667
 TEL: 886 3 4643715
 FAX: 886 3 4641911

TEL: 858 674 8100
 FAX: 858 674 8262

TEL: 49 7032 7806 0
 FAX: 49 7032 7806 12

Performance warranty of products offered on this data sheet is limited to the parameters specified. Data is subject to change without notice. Other brand and product names mentioned herein may be trademarks or registered trademarks of their respective owners. © Copyright, 2008. Pulse Engineering, Inc. All rights reserved.