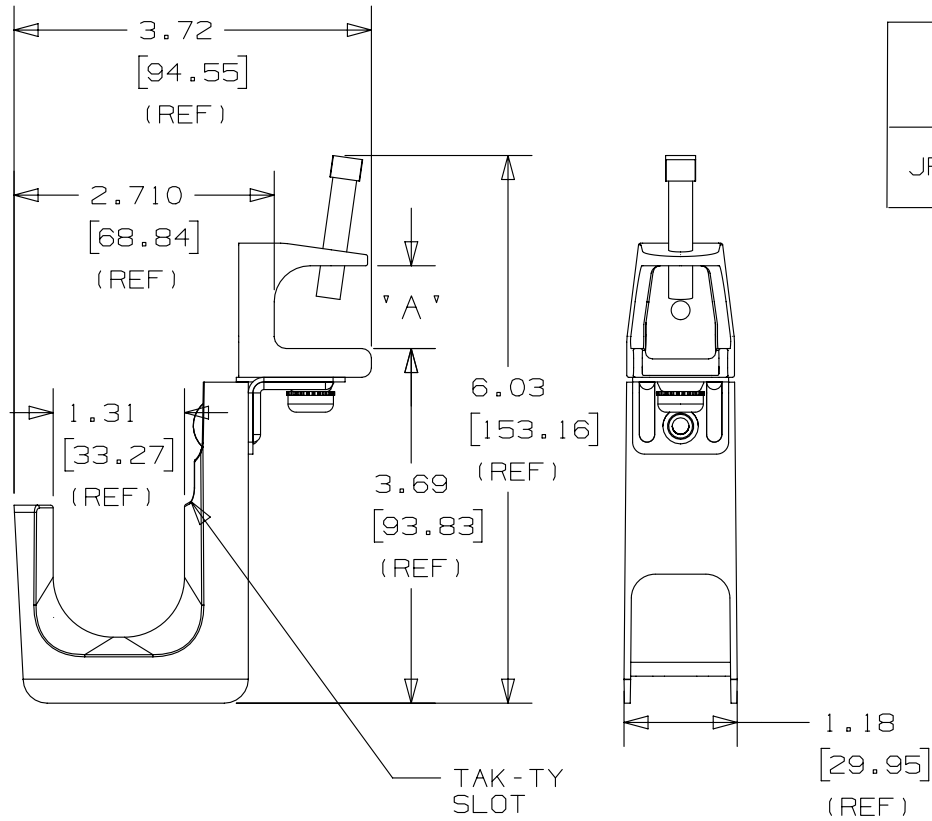
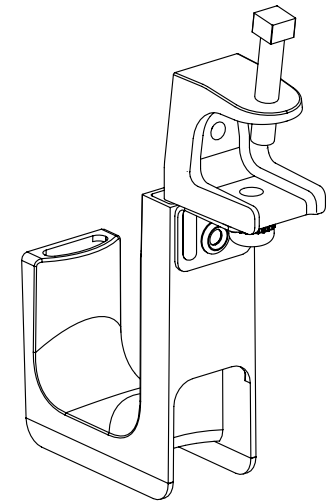


THIS COPY IS PROVIDED ON A RESTRICTED BASIS AND IS NOT TO BE USED IN ANY WAY DETRIMENTAL TO THE INTERESTS OF PANDUIT CORP.



PANDUIT PART NO.	'A'	WEIGHT 10pcs lbs (g)
JP131SBC87RB---	0.812-0.912 [ 20.6-23.2 ]	3.00 (1360)



NOTES:

- SEE CURRENT PRICE SHEET FOR PART NUMBER SUFFIX DESIGNATION FOR PACKAGE SIZE AND PRODUCT COLOR.
- HOOK MATERIAL: NYLON 6/6  
ANGLE BRACKET MATERIAL: PRE-GALVANIZED STEEL  
RIVET MATERIAL: ALUMINUM  
CLAMP MATERIAL: PLATED IRON  
BOLT/WASHER MATERIAL: ZINC PLATED STEEL
- PRODUCT IS DESIGNED TO SUPPORT A MAXIMUM OF 1 5/16" (33.34) DIAMETER BUNDLE, MAXIMUM RECOMMENDED STATIC LOAD: 20 lbs.
- PRODUCT INCORPORATES FEATURES ALLOWING USER TO RETAIN CABLE BUNDLES IN J-PRO J-HOOK WITH TAK-TY CABLE TIES UP TO 3/4" WIDE.
- PRODUCT MARKINGS:  
cULus logo and statement:  
"SUITABLE FOR USE IN AIR HANDLING SPACES IN ACCORDANCE WITH SECTION 300-22 (C) & (D) OF THE NATIONAL ELECTRIC CODE."  
ULC logo and statement:  
"IN ACCORDANCE WITH CAN/ULC S-102.2-10 IN SINGLE UNITS OR PAIRS, 4 ft (1220mm) MIN. SPACING, FSR=0, SDC=35."

TITLE		J-PRO J-HOOK WITH 360° SCREW-ON BEAM CLAMP (JP131SBC87RB---)	
ITEM REVISION NAME		CUSTOMER DRAWING	
121031AR/00		<b>PANDUIT</b> <sup>TM</sup>	
DATASET FILE NAME		MATERIAL:	
121031AR_DC_C11037/00B		SEE NOTE 2	
UNLESS OTHERWISE SPECIFIED, DIMENSIONAL TOLERANCES ARE: IN [mm]		DRAWING NUMBER:	
.x ± .1 [ 2.54 ]      .xxx ± .005 [ .127 ]		C11037	
.xx ± .01 [ .25 ]      ANGLES ± 5 °		THIRD ANGLE PROJECTION	
DRAWN BY		SCALE	
DBLA		NONE	
DATE		SHT 1 OF 1	
1/25/2013		A	
CHK		SIZE	
KLN		A	

REV	DATE	BY	CHK	APR	DESCRIPTION	ECN
01	1/16/14	RVU	CLW	KLN	REMOVED "-" FROM PART NUMBER	GAECN01576
00	1/31/13	DBLA	CLW	KLN	INITIAL RELEASE	GAECN00425

D10100DA/12