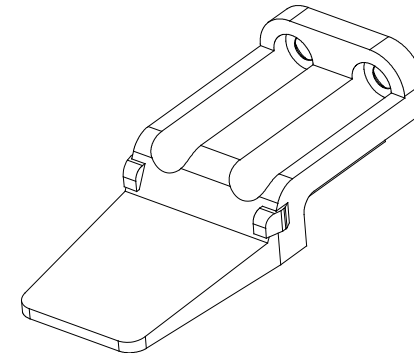
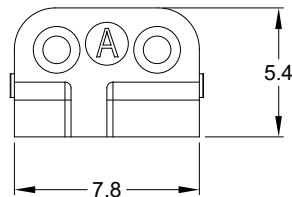
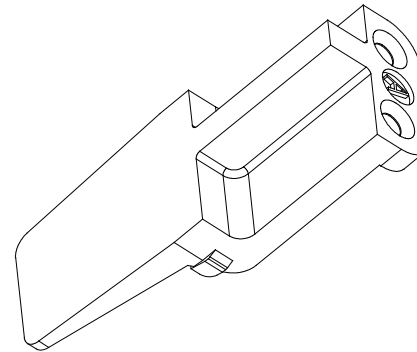
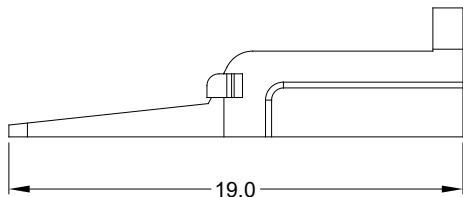
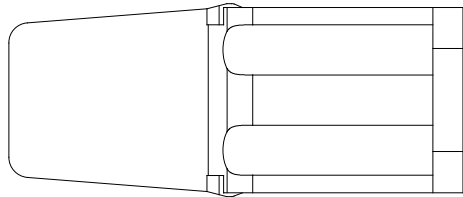


REVISIONS					
REV	ECO	DESCRIPTION	DATE	BY	APPR
A1	-	RELEASE	26/JUL/16	JONY	TOMMY



**NOTES: UNLESS OTHERWISE SPECIFIED**

- MATERIAL: THERMOPLASTIC; COLOR: GRAY
- RoHS COMPLIANT
- CAVITIES: 2
- KEYED: A KEYED
- USE WITH CONNECTORS ATM06-2S\*  
(\* = MODIFICATIONS AND COLORS)
- ALL DIMENSIONS ARE FOR REFERENCE USE ONLY.

AWM-2SA		REF: WM-2SA	
PART NUMBER		DESCRIPTION	
QUANTITY		MATERIALS LIST	
<p><b>UNLESS OTHERWISE SPECIFIED</b></p> <p>1) All dimensions are in metric(mm).                  2) Tolerances are as follows:                  1 PL DEC ±0.30    Fractions ±1/64                  2 PL DEC ±0.15    Angles ±1°                  3 PL DEC ±0.08</p> <p>3) Note reference = </p>		<p><b>SIGNATURES</b>    <b>DATE</b></p> <p>DRAWN: JONY    26/JUL/16</p> <p>CHECKED: Orion    26/JUL/16</p> <p>ENGINEER:</p> <p>APPROVAL: Tommy    26/JUL/16</p> <p>CUSTOMER:</p>	
MATERIAL SPECIFICATIONS:		<p><b>Amphenol</b></p> <p>Sine Systems - www.amphenol-sine.com                  44724 Morley Drive                  Clinton Township, MI 48036</p>	
PROCESS SPECIFICATIONS:		<p>THIS DRAWING IS SUPPLIED FOR INFORMATION ONLY. DESIGN FEATURES, SPECIFICATIONS AND PERFORMANCE DATA SHOWN HEREON ARE THE PROPERTY OF THE AMPHENOL CORPORATION. NO RIGHTS OF REPRODUCTION ARE IMPLIED. ALL DIMENSIONS ARE SUBJECT TO NORMAL MANUFACTURING VARIATIONS.</p>	
NEXT ASSY:		<p>S-WEDGELOCK, 2 POS, A KEYED, ATM SERIES</p>	
		<p>SIZE: <b>B</b>    TYPE: <b>C-</b></p> <p>SCALE: NONE</p>	<p>DWG NO: <b>AWM-2SA</b></p> <p>REVISION: <b>A1</b></p>
		<p>SHEET 1 OF 1</p>	