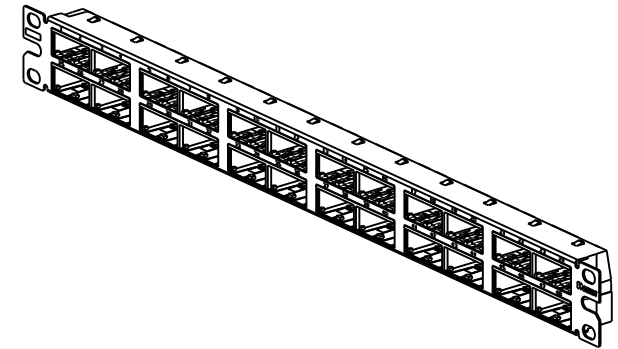
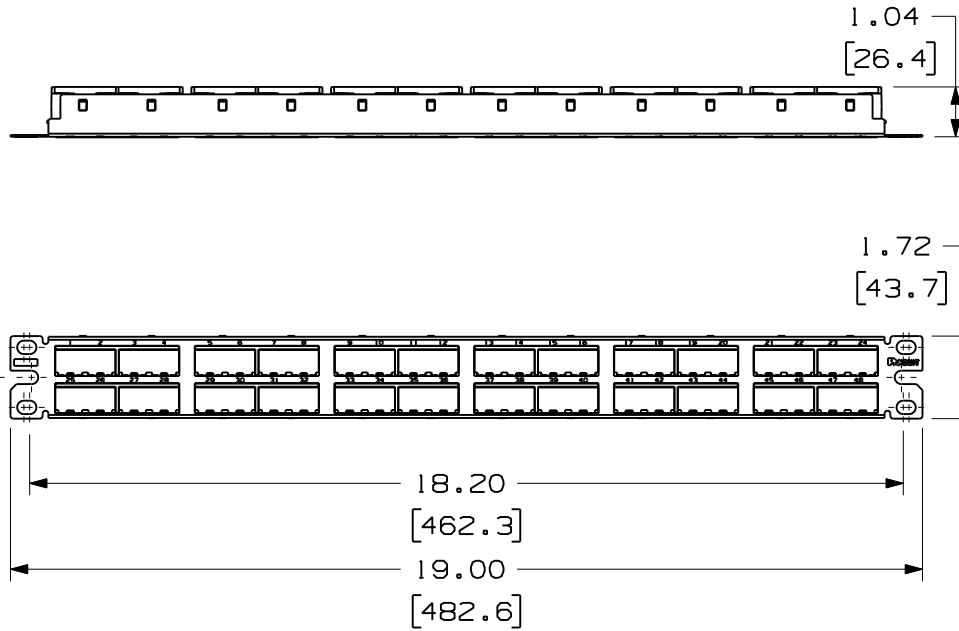


THIS COPY IS PROVIDED ON A RESTRICTED BASIS AND IS NOT TO BE USED IN ANY WAY DETRIMENTAL TO THE INTERESTS OF PANDUIT CORP.

PANDUIT P/N	WEIGHT
CP48HDBL	6.15 LB/10 PCS (2788.0 g/10 PCS)

NOTES:

- SEE CURRENT CATALOG FOR VARIOUS APPLICATIONS WITH THIS WIRING SYSTEM
- THE HIGH DENSITY PATCH PANEL IS DESIGNED FOR MOUNTING TO 19" UNIVERSAL RACKS.
- PACKAGE CONTAINS:
 - (1) 48 PORT STAMPING
 - (6) 8 POSITION FACEPLATES (ASSEMBLED TO PANEL)
 - (6) GROUNDING STRIPS (ASSEMBLED TO PANEL)
 - (1) SCREW KIT (INCLUDES FOUR #12-24 SCREWS)
 - (1) SCREW KIT (INCLUDES FOUR M6 SCREWS)
 - (2) M6 GROUNDING SCREWS
 - (2) #12-24 GROUNDING SCREWS
- DIMENSION IN [] ARE IN METRIC.



PART NUMBER	CP48HDBL	PRODUCT SPEC/PKG SPEC	N/A
REV. NUMBER	N/A	WORK INSTRUCTION	N/A

TITLE	MINI-COM 48 PORT HIGH DENSITY SHIELDED MODULAR PATCH PANEL CUSTOMER DRAWING
ITEM REVISION NAME	11M249AQ/00.PRT
DATASET FILE NAME	11M249AQ_DC/00A.PRT

UNLESS OTHERWISE SPECIFIED, DIMENSIONAL TOLERANCES ARE: IN [mm]	
.x : .xxx : .010 [.3] .xx : .03 [.8] ANGLES :	
MATERIAL:	STAMPING-18 GAUGE STAINLESS STEEL GROUNDING STRIP- PHOS BRONZE FACEPLATE-ABS
DRAWING NUMBER:	11M249AQ-02

REV	DATE	BY	CHK	APR	DESCRIPTION	ECN
R	11-26-12	BJN	JSP	JSP	RELEASED TO PRODUCTION	11M249AQ-02

DRAWN BY	DATE	CHK	SCALE	SHT 1 OF 1	SIZE
BJN	11-26-12	JSP	NONE		A