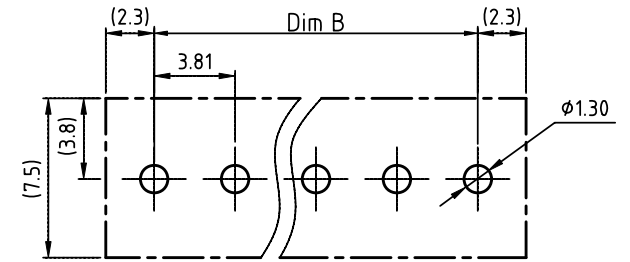
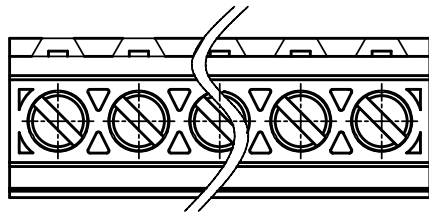
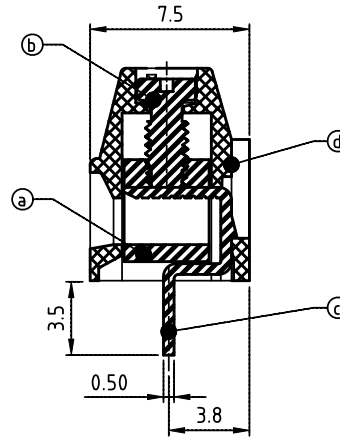
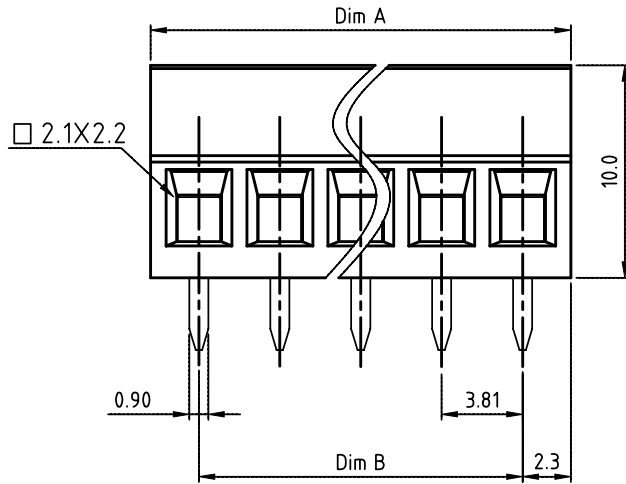


PRODUCT NUMBER	PITCH
EDxx31x000J0G	3.81mm



RECOMMENDED P.C.B LAYOUT
TOP VIEW



Material

- Item Ⓐ Clamp : Brass , Ni plated
- Item Ⓑ Terminal screw : Steel Zinc plating:“-“slot type
- Item Ⓒ solder pin : Brass , Tin plated
- Item Ⓓ Terminal housing : Thermoplastic (UL94V-0)

Electrical ULus

- Voltage rating: 300VAC
- Current rating: 8A
- Wire range:
- Solid wire(AWG): 16-24
- Stranded wire(AWG):16-24
- Torque(Lb-In): 2.17
- Screw: M2
- Wire strip length: 6-7mm
- Withstanding Voltage: 1.6KV
- Operating temperature: -40°C to +115°C
- Soldering temperature: 260°C±5°C/5 Sec
- Safety Approval: us

N=Number of poles
Dimension A&B

Dim A	(N-1)×3.81+4.55
Dim B	(N-1)×3.81

Poles	DimA&B Tolerance
2P-4P	±0.15
5P-8P	±0.20
9P-16P	±0.30
17P-24P	±0.40

PART NO.: ED xx 3 1 x 0 00J0 G

Solid Block	0	Black (RAL9005)	RoHS compliant (lead<4%) In copper Alloy
No. of poles	2	Red (RAL3001/D)	
02 2 poles	3	Orange(RAL2011/P)	
03 3 poles	4	Yellow(RAL1018/A)	
...	...	5 Green(RAL6018/T)	
24 24 poles	6	Blue (RAL5015/A)	
	8	Grey(RAL7035/D)	
	9	White(RAL1102)	
	C	Green(RAL6018/U)	

mat'l. code		surface ASME Y14.5	tolerance ASME Y14.5	projection	product family TERMINAL BLOCK
ltr	ecn no	dr	date		title TERMINAL BLOCK
				tolerances unless otherwise specified	scale MM
				angles X°±1°	scale RISING CLAMP,SOLID BLOCK,180D WIRE INLET
				dr EVIN ZHONG 040714	dwg no EDxx31x000J0G
				enr EVIN ZHONG 040714	sheet 1 of 1 size A4
				chr HANKE FENG 040714	type CUSTOMER Drawing
				appd SHI JUN 040714	
sheet index	revision	A			
	sheet	1			