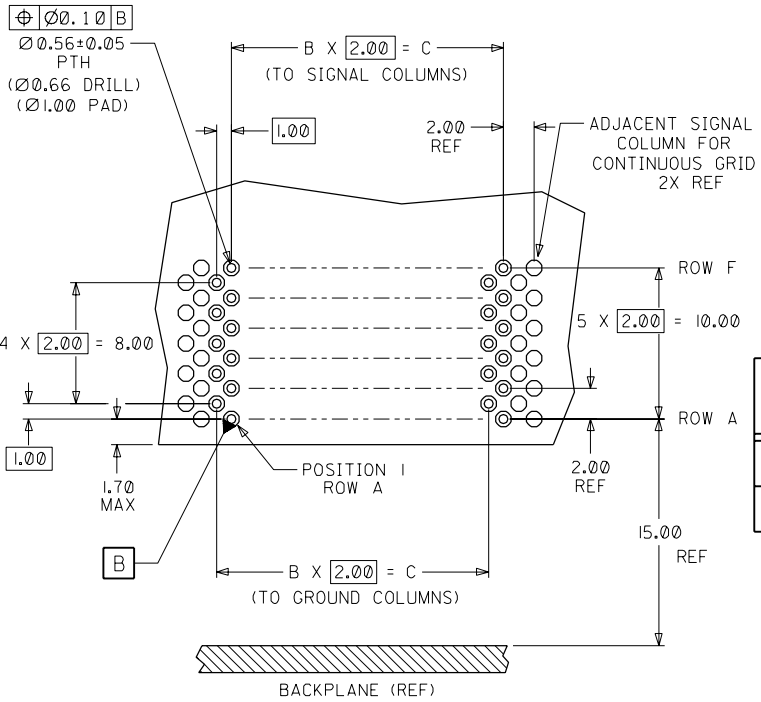
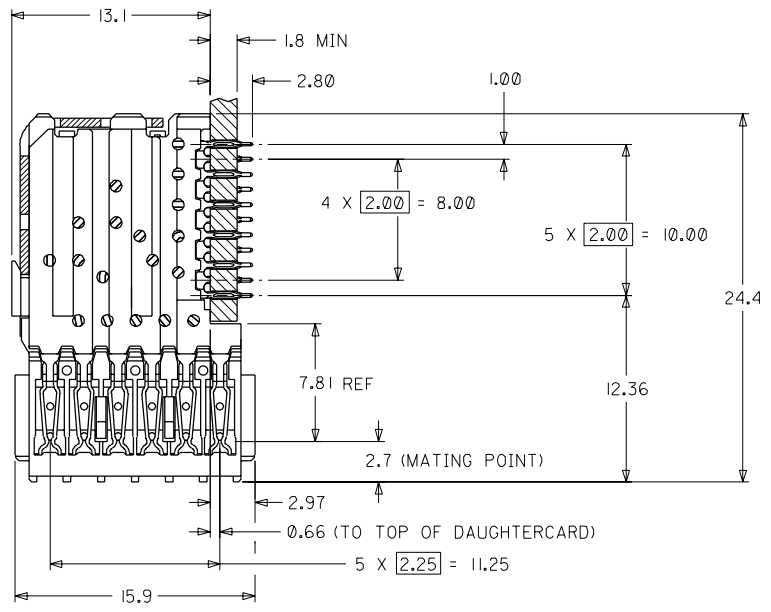
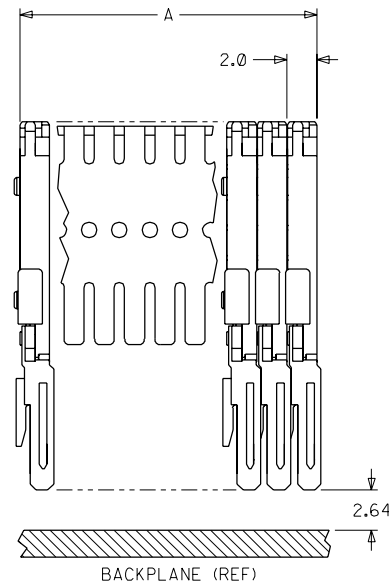
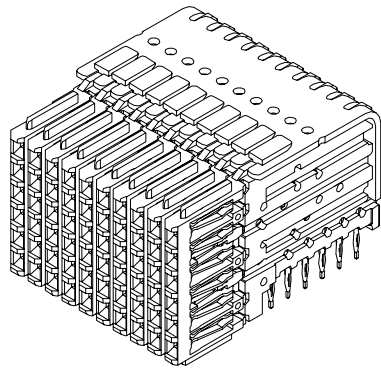
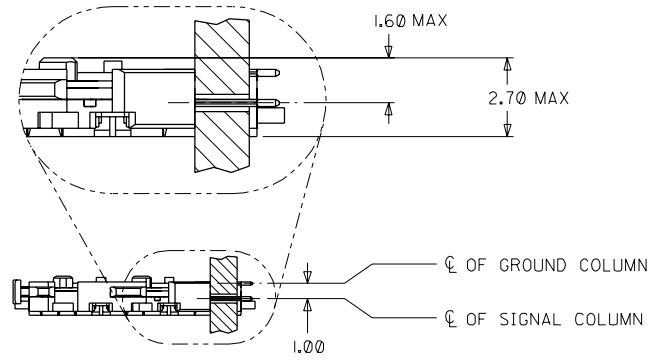


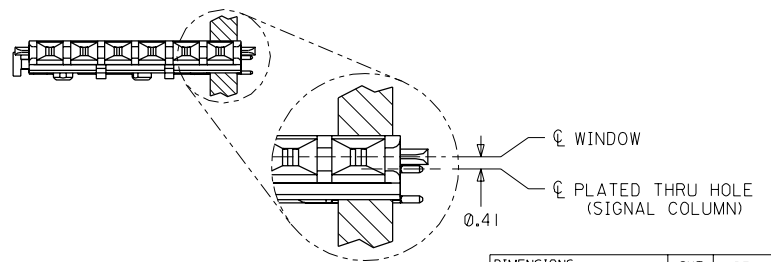
NOTES: (UNLESS OTHERWISE SPECIFIED)

1. MATERIALS: HOUSING - LIQUID CRYSTAL POLYMER (LCP), GLASS-FILLED, UL94V-0. TERMINALS - HIGH PERFORMANCE COPPER ALLOY.
2. FINISH: SELECTIVE GOLD (Au) IN CONTACT AREA, SELECTIVE TIN/LEAD (Sn/Pb) ON PCB TAILS, NICKEL (Ni) OVERALL.
3. REFER TO MOLEX PRODUCT SPECIFICATION PS-74031-999 FOR PERFORMANCE SPECIFICATIONS.
4. SIGNAL WAFERS SUPPLIED ON STAINLESS STEEL STIFFENER IN GROUPS OF 10 OR 25 ONLY.

MATERIAL NUMBER	MINIMUM GOLD PLATING	WAFER PLASTIC COLOR
74031-0001	0.00076mm (30uIN)	BLACK
74031-0051	0.00127mm (50uIN)	GRAY



NUMBER OF SIGNAL WAFERS	A	B	C
10	20.0	9	18.00
25	50.0	24	48.00



DAUGHTERCARD HOLE PATTERN (CONNECTOR SIDE)

ADD -0051 PART EC NO. UDT2001-1132 DRWN: LAURX 01/04/18 CHK: MARTIN 01/04/18 APPR: BIXLER 01/04/18	QUALITY SYMBOLS MAJOR = 0 CRITICAL = 0	GENERAL TOLERANCES: (UNLESS SPECIFIED)	SCALE 4 : 1	DESIGN UNITS <input checked="" type="checkbox"/> mm <input type="checkbox"/> INCH	DIMENSIONS: <input type="checkbox"/> mm <input type="checkbox"/> INCH <input checked="" type="checkbox"/> mm ONLY		SHT	REV
		4 PLACES ±0. -- ±. -- 3 PLACES ±0. -- ±. -- 2 PLACES ±0.13 ±. -- 1 PLACE ±0.25 ±. --	mm INCH	DRAWN BY & DATE LAURX 98/10/19	THIRD ANGLE PROJECTION		REVISE ON CAD ONLY	
REV	DESCRIPTION	ANGULAR: ± 2°	DRAWN BY & DATE LAURX 98/10/19		TITLE: VHDM DAUGHTERCARD 6 ROW SIGNAL WAFER SALES DRAWING			
		DRAFT WHERE APPLICABLE MUST REMAIN WITHIN DIMENSIONS	CHECKED BY & DATE MQWANG 98/10/19		MATERIAL NO. SEE CHART		DRAWING NO. SD-74031-002	
		APPROVED BY & DATE BIXLER 98/10/19		MATERIAL NO. SEE CHART		DRAWING NO. SD-74031-002		SHEET NO. 1 OF 1
		CAD FILENAME S7403102.DGN		MATERIAL NO. SEE CHART		DRAWING NO. SD-74031-002		SIZE C
		THIS DRAWING CONTAINS INFORMATION THAT IS PROPRIETARY TO MOLEX INCORPORATED AND SHOULD NOT BE USED WITHOUT WRITTEN PERMISSION.						