

Series **D xx S 24A 6 xx 09 LF**

Number of contacts  
09 , 15 , 25 , 37 , 50

**Contacts**  
S : Socket

**Plating**  
6 = 500 Mating / Unmating Mini

**Packaging specification**  
Tray

**See Note RoHS**

### Termination

Code	Type	Foot Print/Pitch	Length of termination	PCB thickness
24A	Straight version	6 / 2.84mm	2	1.6

### Mounting Options

RL	Insert M3
RV	Female Screw UNC 4-40
RX	Insert UNC 4-40

### NOTE RoHS INFORMATION

- The "LF" product meet european union Directives and other country regulations asdescribed in GS-22-008.
- The housing will withstand exposure to 260° peak temperature for 30 seconds in a convection , infra-red or vapor reflow oven. See application notes/procedures if are available.
- Termination plating spec:1.27µ Nickel mini,2.5 to 7.5µ Sn(pure mate)
- Shell plating : Nickel bright
- Accessories : Sn pure bright
- Packaging spec ; See GS-14-920

### Product Specification

see : GS-12-372

### Packaging Specification

See GS-14-1061

rev	ecn no	dr	date
H	110-0197	NG	2010-10-14
-	-	-	-
-	-	-	-
D	LS06.0220	PCR	2006/12/21
E	LS07-0007	PCR	2007/01/11
F	LS07-0050	HLE	2007/02/03
G	110-0120	NG	2010-05-27

www.fciconnect.com		surface - ✓ ISO 1302	tolerance std ISO 406 ISO 1101	projection mm
TOLERANCES UNLESS OTHERWISE SPECIFIED				←→
Dr	P. CRON	02/02/06	ANGULAR	size A3
Eng	H. LEGALLIC	02/02/06	LINEAR	Scale 1:1
Chr	NIRMAL G	2010-10-14	0° ±2°	ECN 110-0197
Appr	SUDHIR V	2010-10-14	Product family	Spec ref -
FCi		SUB DELTA D PIP FEMALE H=2 straight for tray		Rev. H
catalog no		SEE TABLE	CUSTOMER	sheet 1 of 3

dwg no C01-8646-0879





1

2

3

4

A

B

C

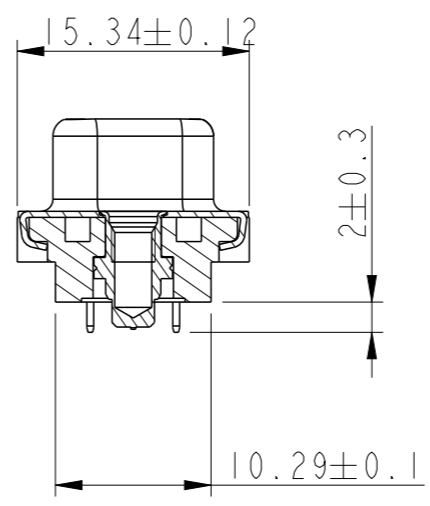
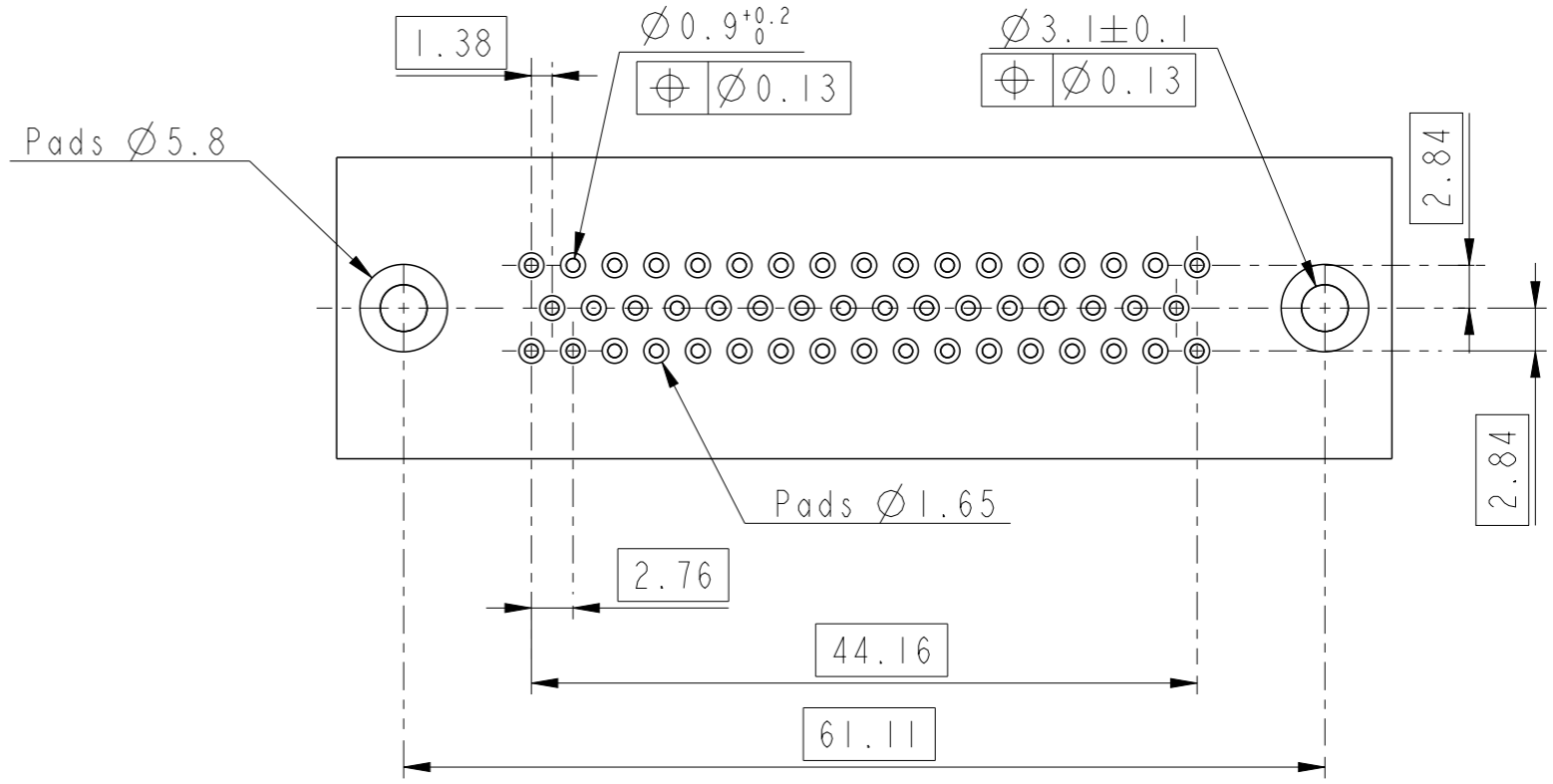
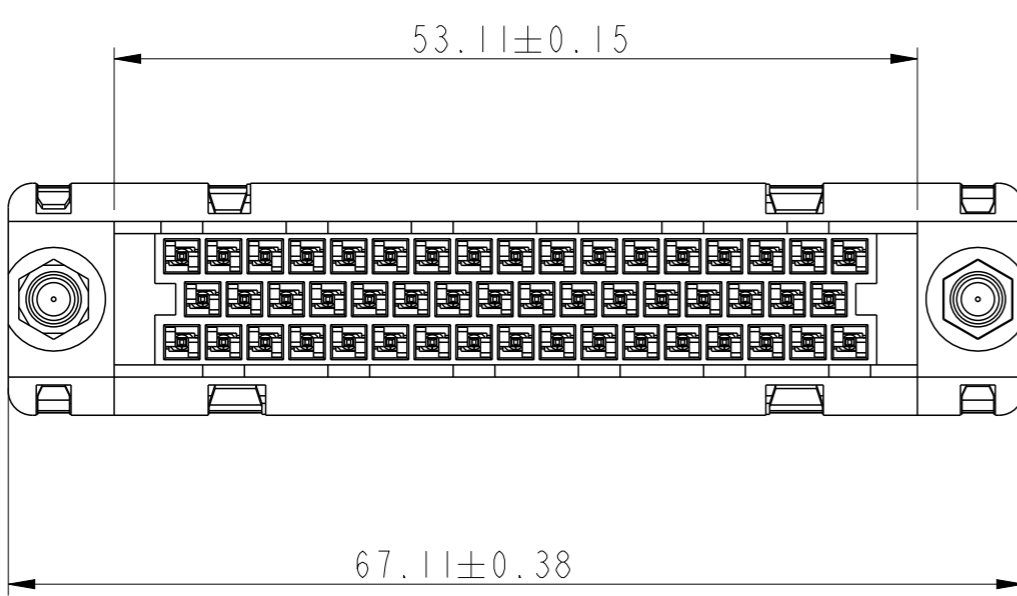
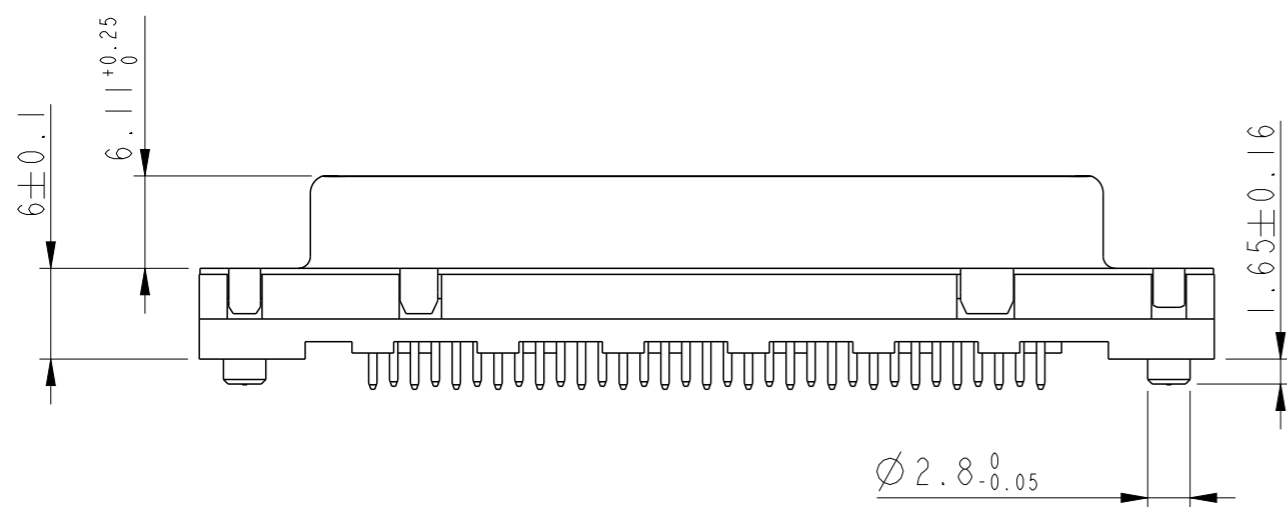
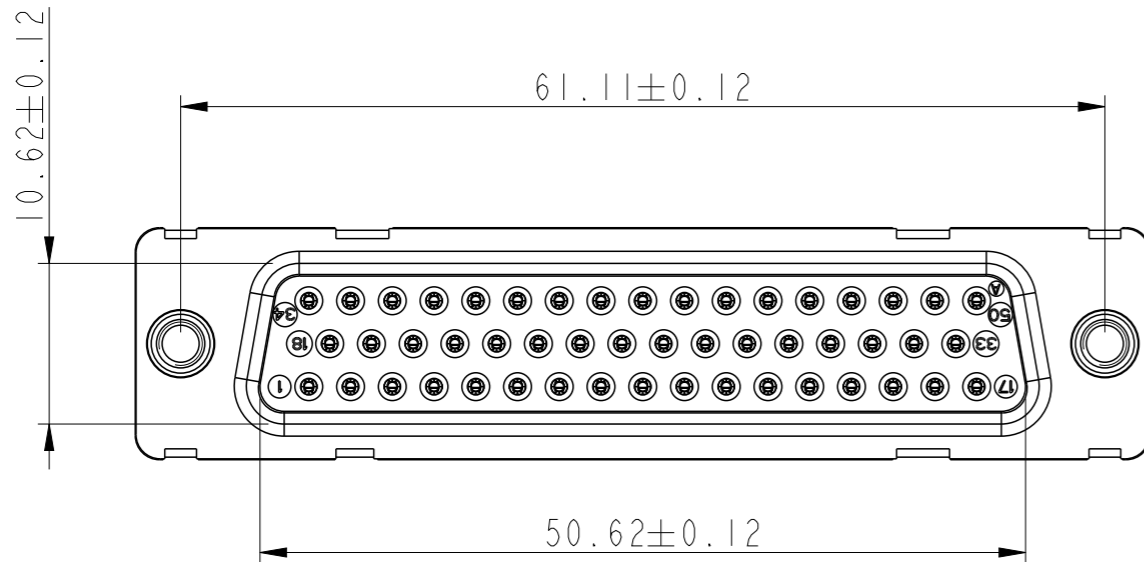
D

A

B

C

D



P/N LEAD FREE  
D50S24A6xx09LF

SECTION A-A

FOR xx SEE SHEET 1



Copyright FCI.

www.fciconnect.com		surface - ✓ ISO 1302	tolerance std ISO 406 ISO 1101	projection ⊕-⊖	mm ↔
TOLERANCES UNLESS OTHERWISE SPECIFIED					
Dr	P. CRON	02/02/06	ANGULAR	0.X ±0.3	size A3
Eng	H. LEGALLIC	02/02/06	LINEAR	0.XX ±0.1	Scale 1:1
Chr	NIRMAL G	2010-10-14	0° ±2°	0.XXX ±0.05	ECN 110-0197
Appr	SUDHIR V	2010-10-14	Product family	-	Spec ref -
SUB DELTA D PIP FEMALE H=2 straight for tray		catalog no	SEE TABLE	customer	sheet 3 of 3
		dwg no	C01-8646-0879	Rev.	H

1

2

3

4