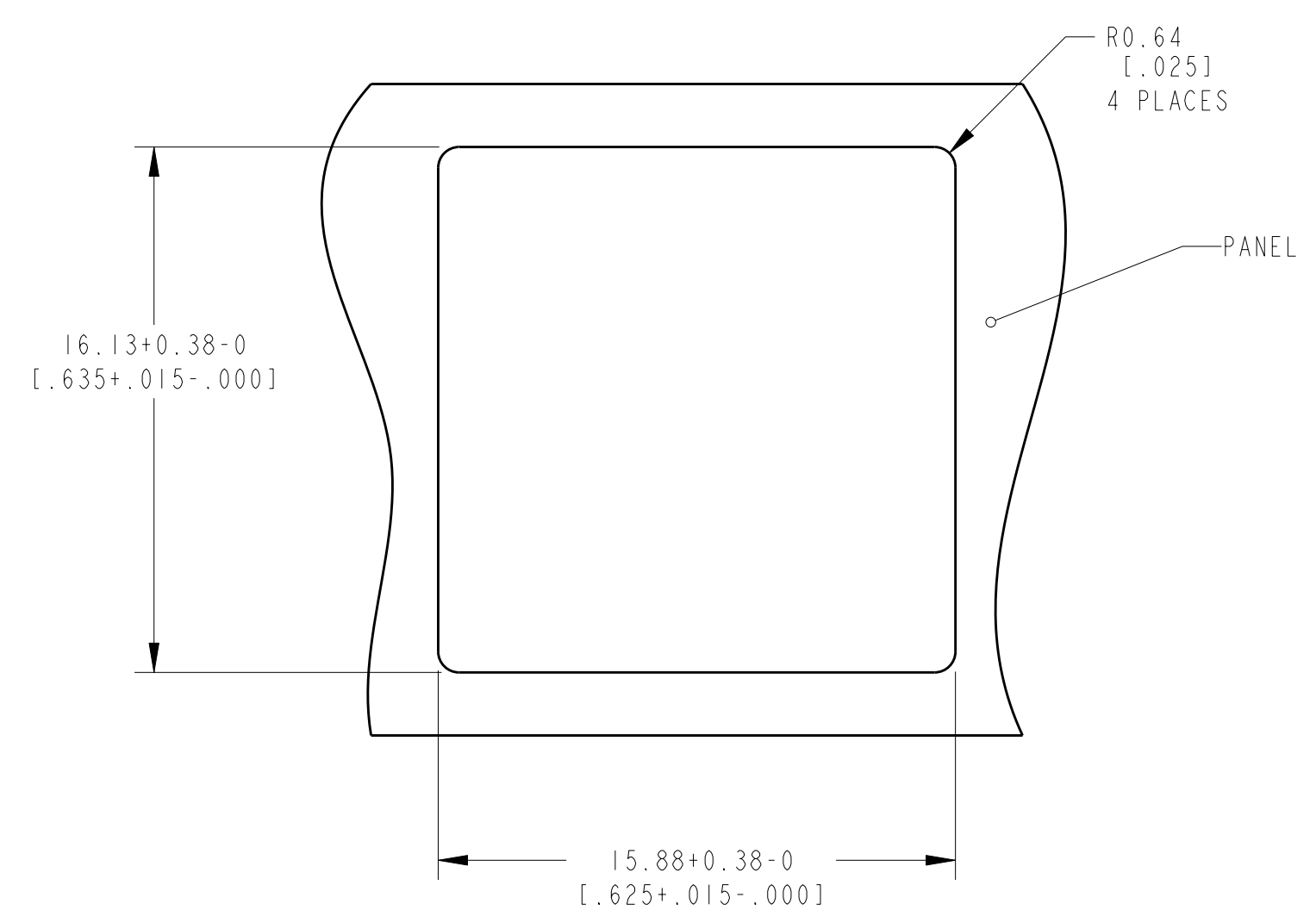
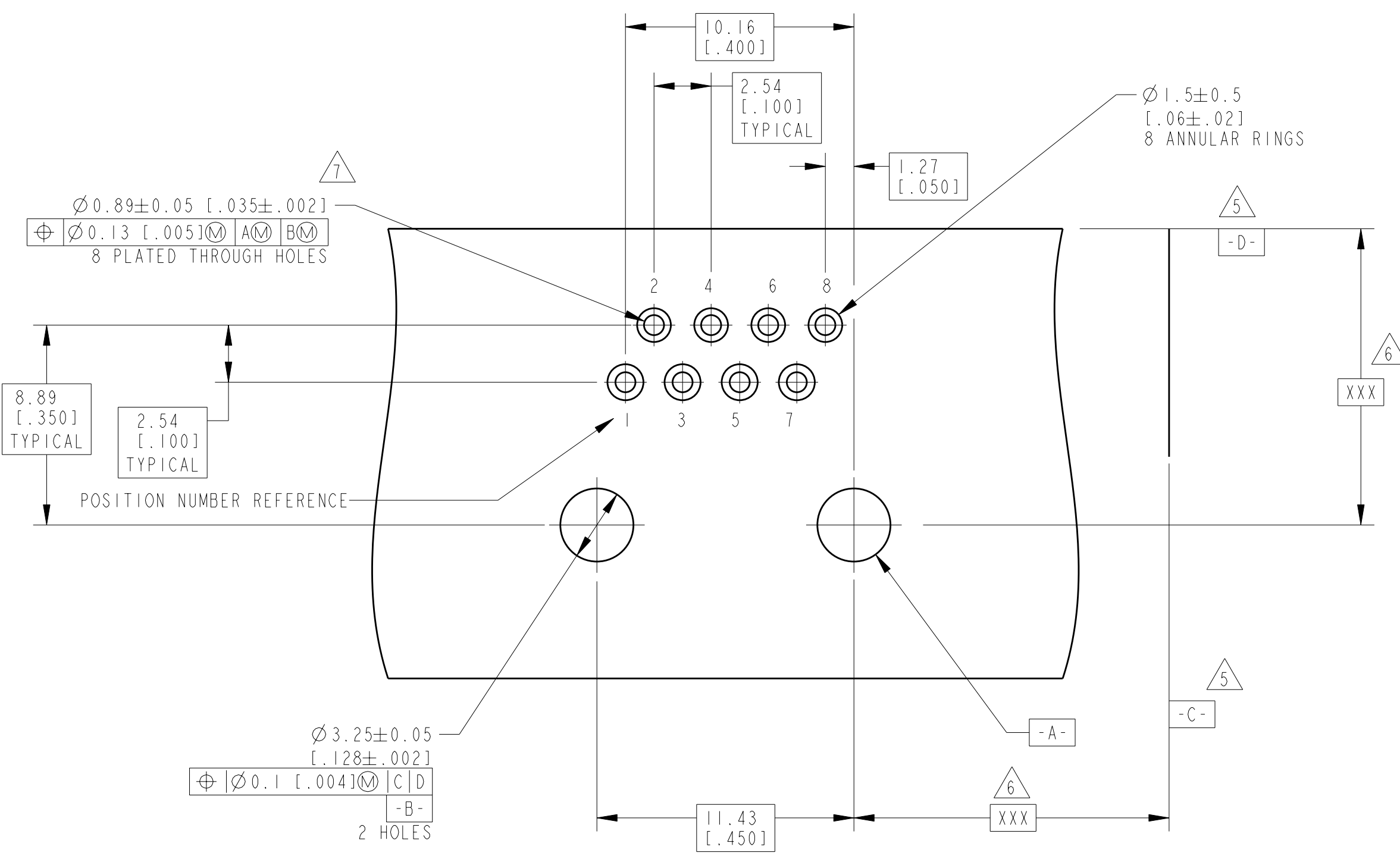
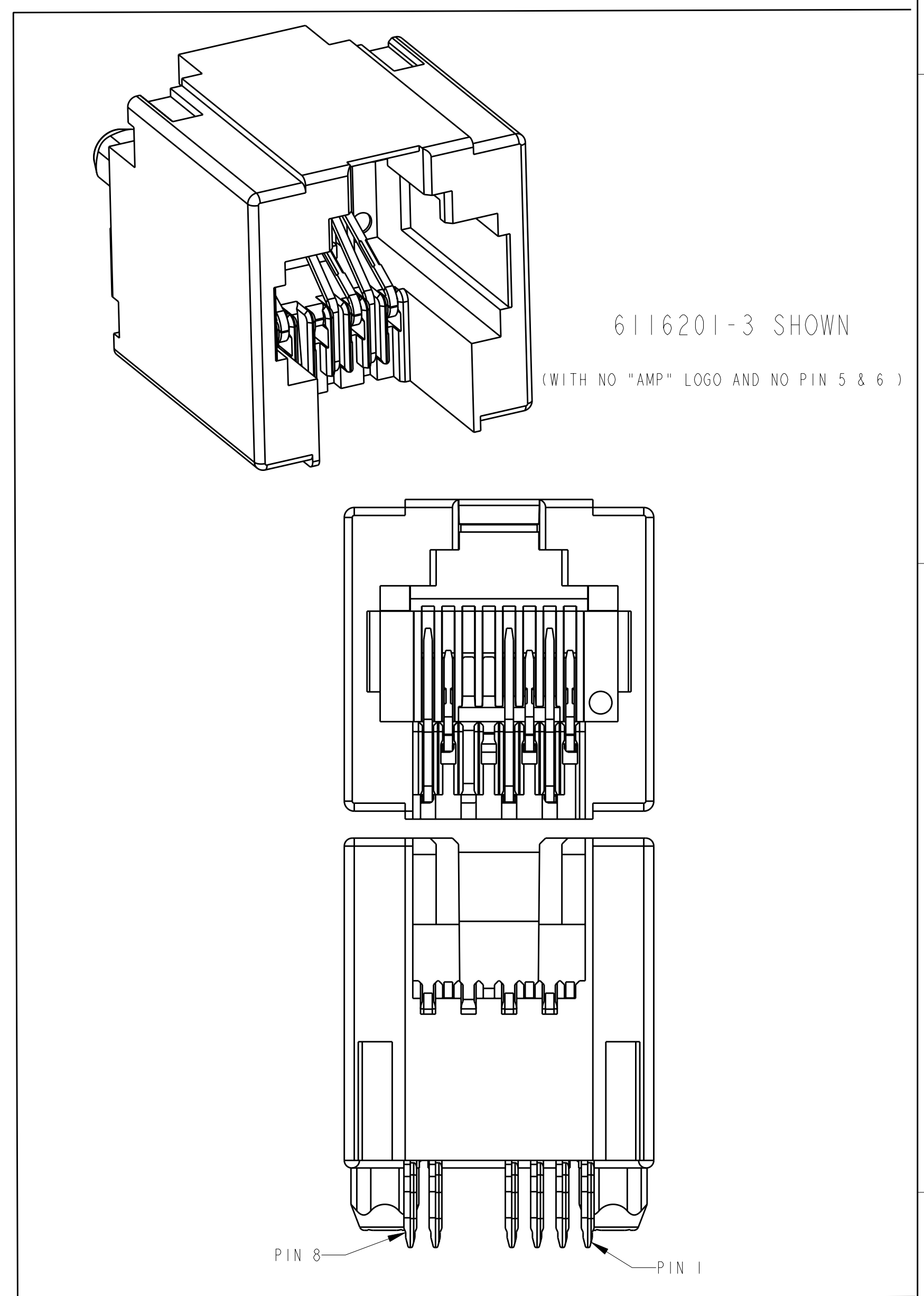
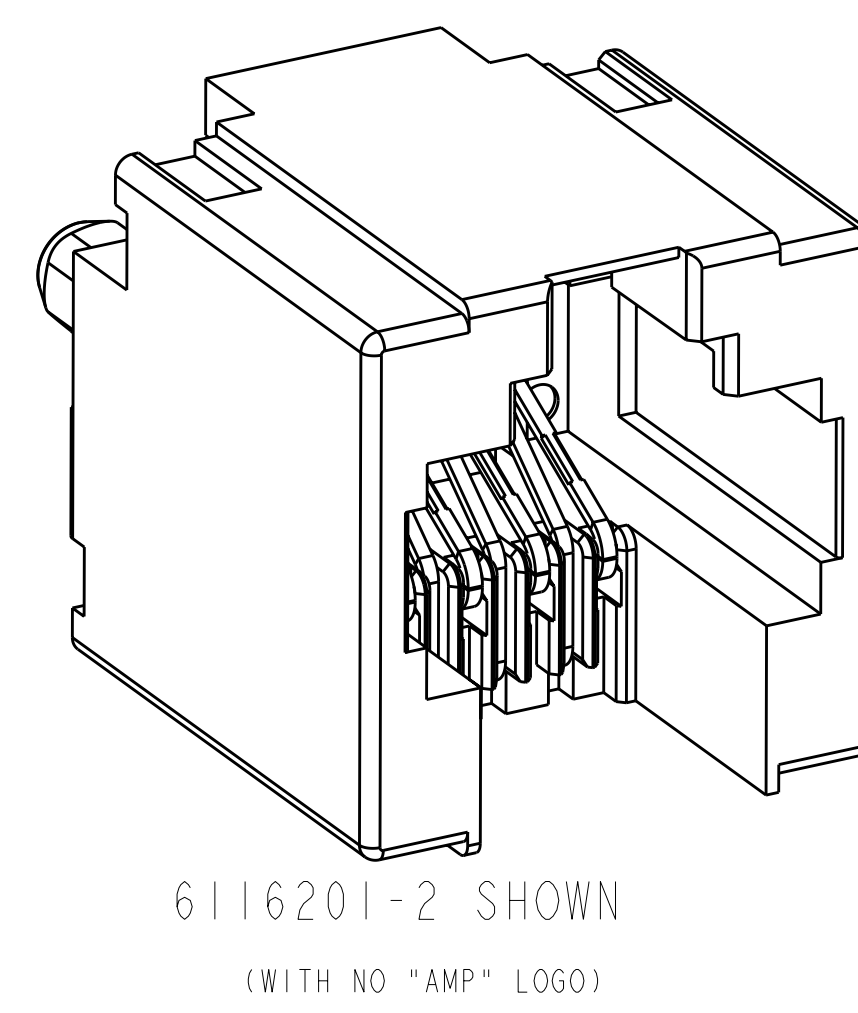
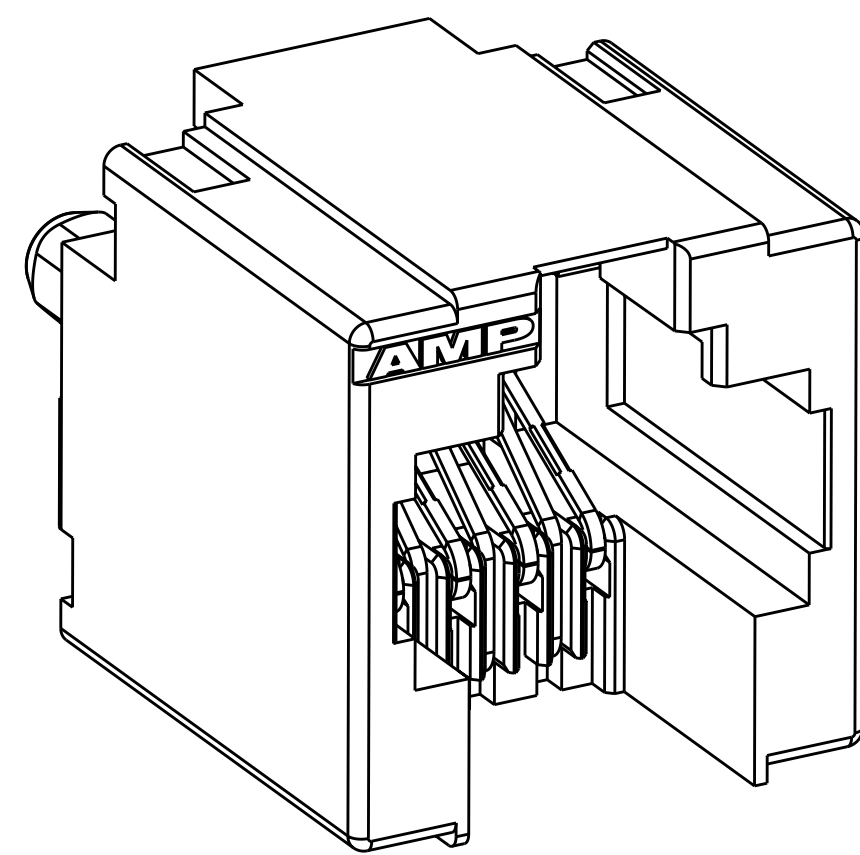
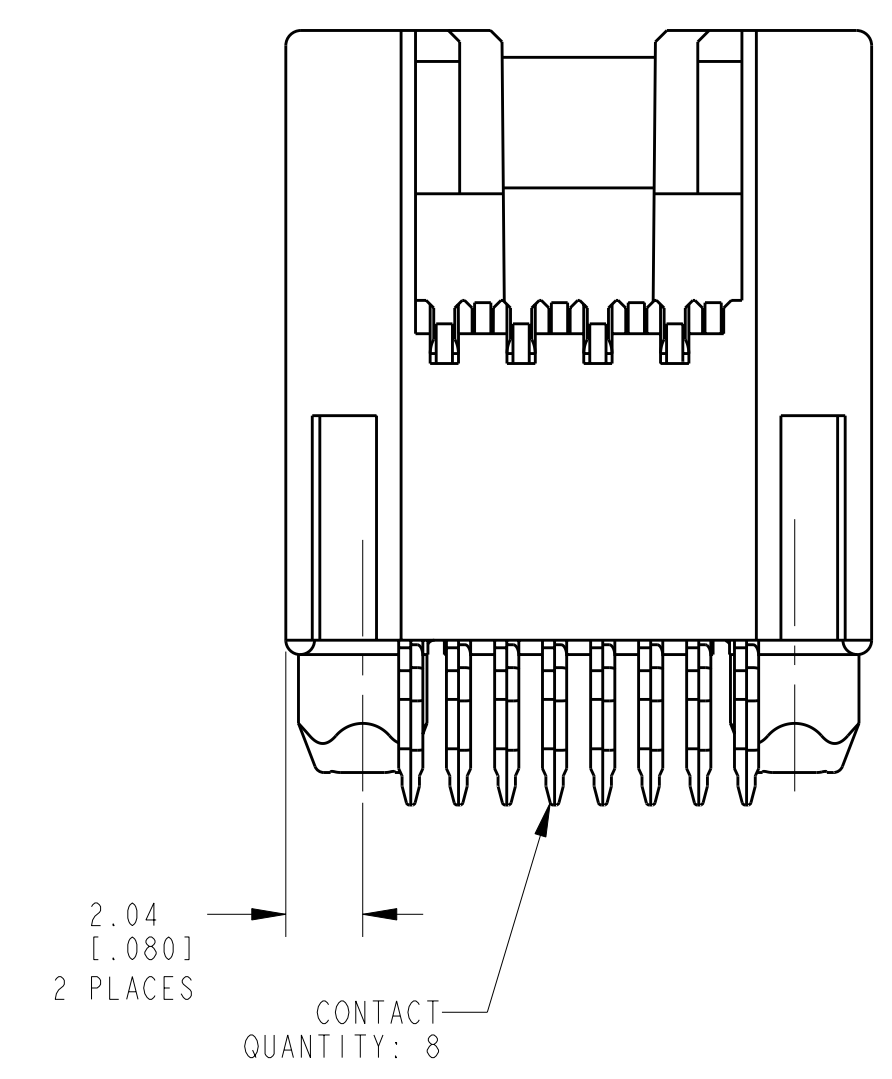
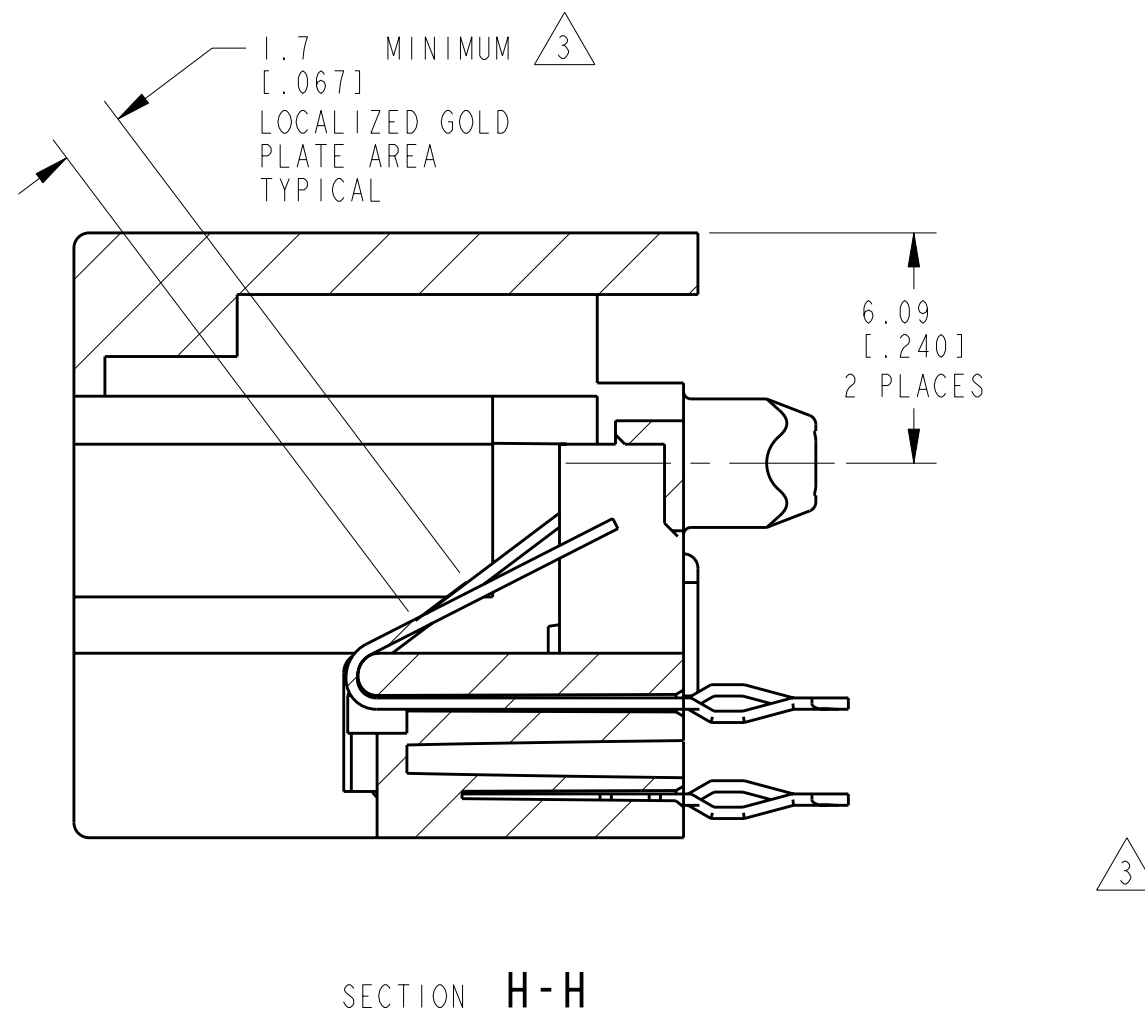
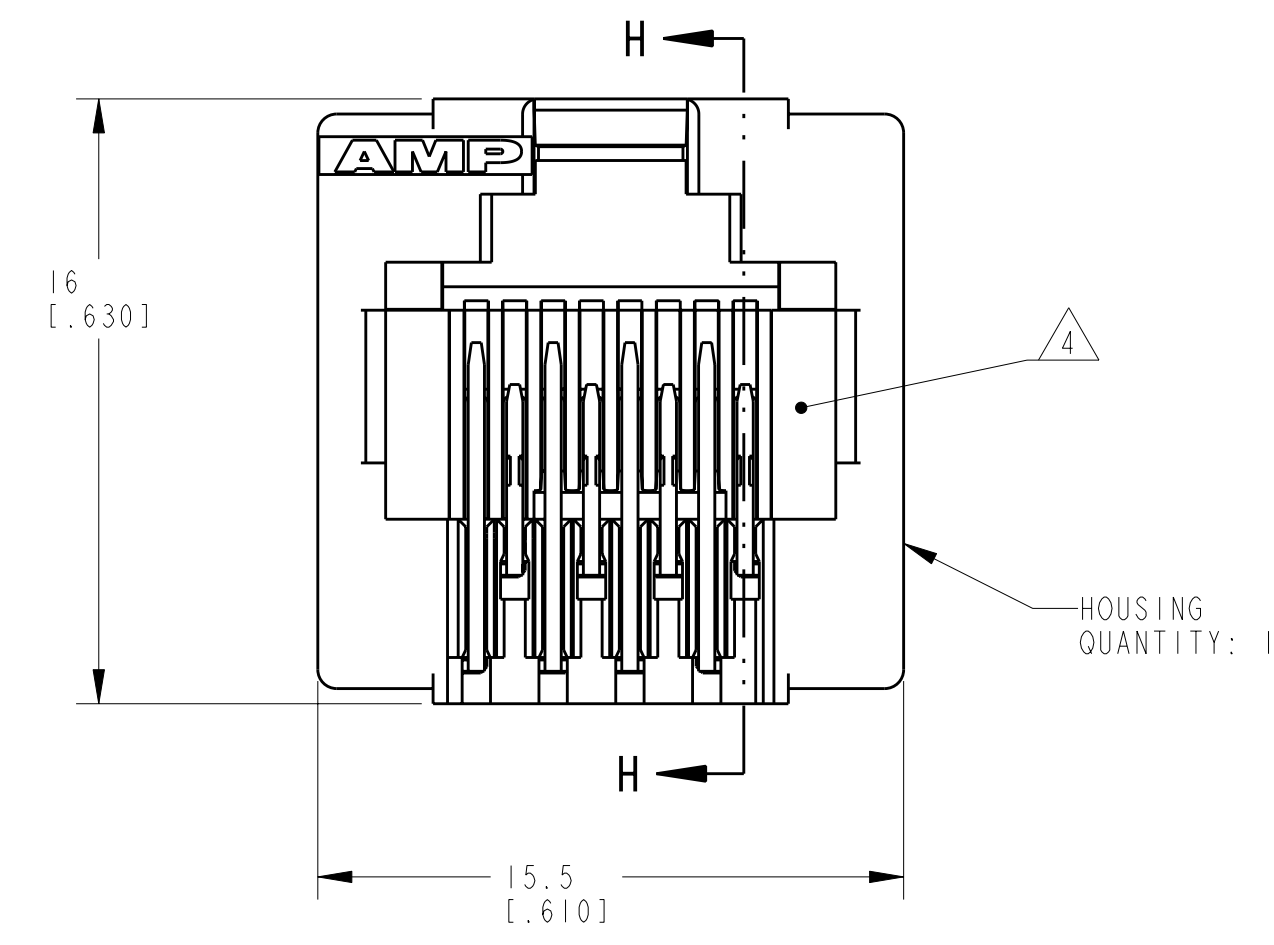


LOC	DIST	REV	DATE	BY	CHK	APPD	DESCRIPTION
AA	22	A	29JUL2005	AF	SF		REV PER ECOS11-0201-04
		A1	16AUG2010	DZ	MO, W		ADDED NEW DASH NUMBER -3
		A2	25AUG2010	DZ	MO, W		REVISED



RECOMMENDED PRINTED CIRCUIT BOARD LAYOUT  
 RECOMMENDED PRINTED CIRCUIT BOARD THICKNESS 1.41 [0.055] MIN  
 COMPONENT SIDE OF PRINTED CIRCUIT BOARD

DESCRIPTION	PART NUMBER
NO "AMP" LOGO, NO PIN 5 & 6	6116201-3
NO "AMP" LOGO	6116201-2
AS SHOWN	6116201-1

DIMENSIONS: mm [INCHES] 9 PLC ± 1 PLC ± 2 PLC ±0.13 [0.005] 3 PLC ± 4 PLC ± ANGLES ±		TOLERANCES UNLESS OTHERWISE SPECIFIED: 9 PLC ± 1 PLC ± 2 PLC ±0.13 [0.005] 3 PLC ± 4 PLC ± ANGLES ±		DWN: A. FERNANDEZ - 00065 CHK: J. WESTMAN APVD: S. FLICKINGER DATE: 29 JUL 2005 NAME: S. FLICKINGER PRODUCT SPEC: 108-1163-6 APPLICATION SPEC: 114-2158 WEIGHT: - CUSTOMER DRAWING		TYCO Electronics Harrisburg, PA 17105-3608 MODULAR JACK ASSEMBLY, VERTICAL, COMPLIANT PIN, 8 POSITION, CATEGORY 5 SIZE: CAGE CODE DRAWING NO: A1100779 C=6116201 SCALE: 5:1 SHEET 1 OF 1 REV: A2	
--------------------------------------------------------------------------------------------------------	--	-----------------------------------------------------------------------------------------------------------------------	--	------------------------------------------------------------------------------------------------------------------------------------------------------------------------------------------------------------	--	--------------------------------------------------------------------------------------------------------------------------------------------------------------------------------------------------------------	--