

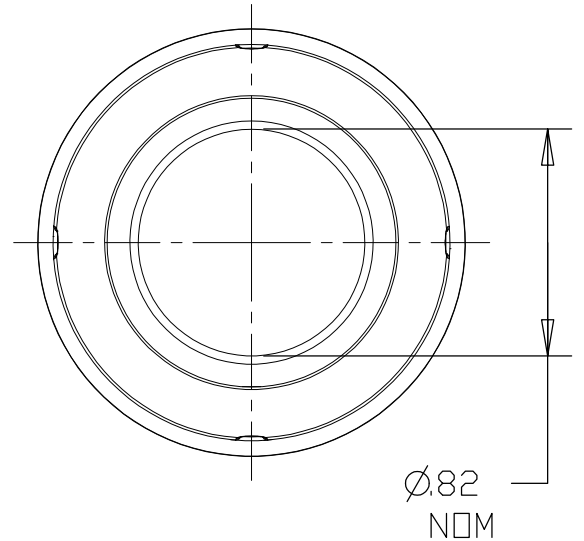
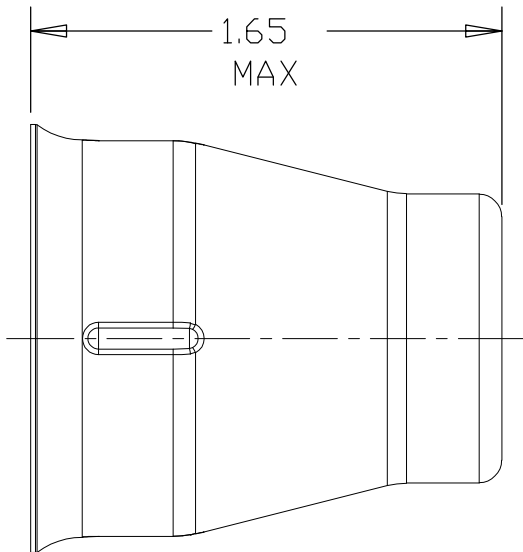
THIS INFORMATION IS CONFIDENTIAL AND PROPRIETARY TO TYCO ELECTRONICS CORPORATION AND ITS WORLDWIDE SUBSIDIARIES AND AFFILIATES (TE). IT MAY NOT BE DISCLOSED TO ANYONE, OTHER THAN TE PERSONNEL, WITHOUT AUTHORIZATION FROM TE (www.TE.com).

DWG NO

HL-ADPT-PR-REFLECTORS

USED ON

-



NOTES:

1. THIS ITEM CAN BE PURCHASED UNDER PART No. EH0598-000
2. THIS ADAPTER IS DESIGNED FOR USE WITH THE STEINEL HEAT GUN AND THE 'PR' SERIES OF REFLECTORS
3. LOCATE NOTCHES POSITION TO MATE WITH THE GUN AND TURN THE REFLECTOR TO FIX IN POSITION

CUSTOMER DRAWING

		DWN N. NAGAR		13-APR-16		CHK -		APVD M. POPE		14-APR-16	
		DIMENSIONS: inches				MATERIAL -		HT TR -			
A INITIAL RELEASE		13APR2016	NN	MP			TE TE Connectivity NAME HL-ADPT-PR REFLECTORS				
LTR	REVISION RECORD	DATE	DWN	APVD							
THIS DRAWING IS A CONTROLLED DOCUMENT.					SURFACE TEXTURE -√-		TOLERANCES UNLESS OTHERWISE SPECIFIED: 0 PLC ±- 1 PLC ±- 2 PLC ±- 3 PLC ±- 4 PLC ±- ANGLES ±-				
SCALE 1:1		SIZE / FMT A4		DRAWING NO HL-ADPT-PR-REFLECTORS				SHEET 1 OF 1		REV	