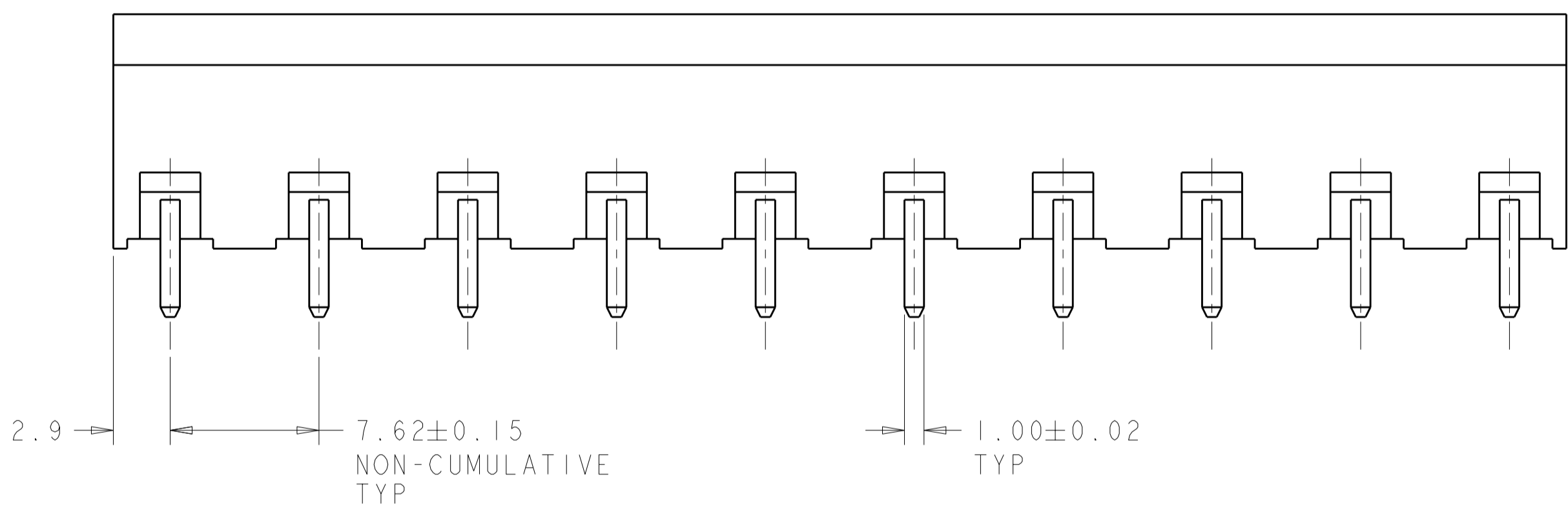
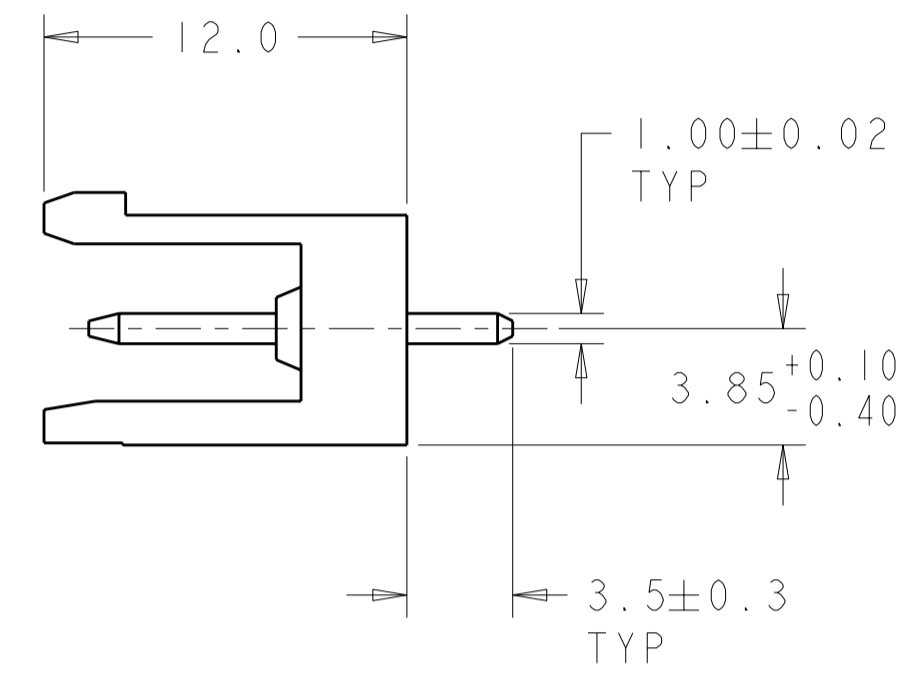
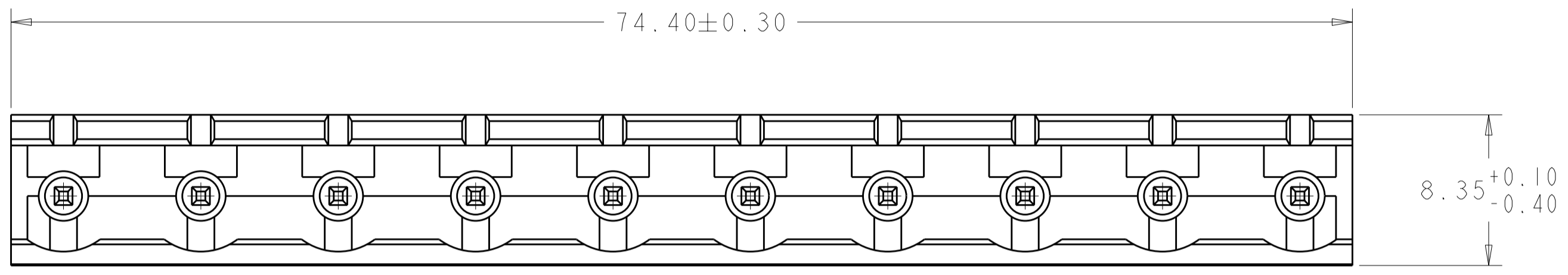
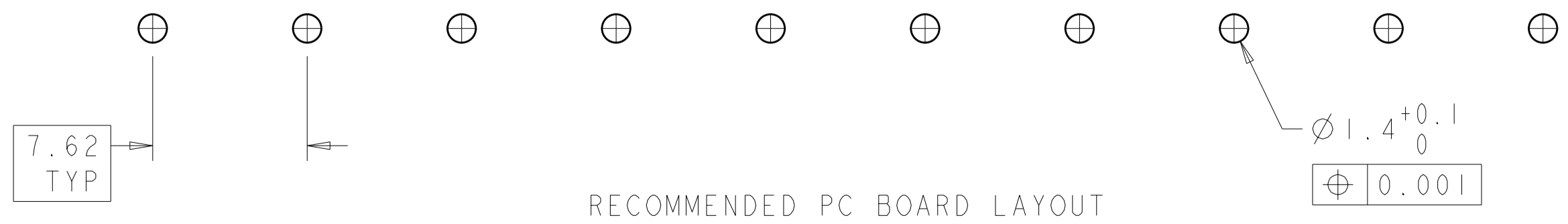


THIS DRAWING IS UNPUBLISHED. RELEASED FOR PUBLICATION 20  
 © COPYRIGHT 20 BY TYCO ELECTRONICS CORPORATION. ALL RIGHTS RESERVED.

LOC		DIST		REVISIONS			
P	LTR	DESCRIPTION	DATE	DWN	APVD		
	O	PRELIMINARY EC 063B-0429-04	06JUL2004	SW	CR		
	A	RELEASED ECO-06-004058	21FEB2006	SW	CR		
	AI	REVISED ECO-06-013885	13JUN2006	SW	CR		



- △ MATERIALS AND FINISH  
 HOUSING: PA 4-6, 30% GLASS FILLED, UL 94-V0, COLOR: BLACK.  
 TERMINAL: PHOSPHOR BRONZE, TIN PLATED.
- SUITABLE FOR 1,6-2,4mm PC BOARD THICKNESS.
  - END-TO-END STACKABLE WITHOUT LOSS OF CENTERLINE SPACING.
  - RECOGNIZED UNDER THE COMPONENT PROGRAM OF UNDERWRITERS LABORATORIES INC. FILE N° E60677.
  - IMQ CERTIFICATE WITH SURVEILLANCE IN CONFORMITY WITH IEC 998-1/998-2-1.
  - LOGOS TO BE LOCATED ON PART WHERE SPACE PERMITS.



RECOMMENDED PC BOARD LAYOUT

10	1-1776085-0
NO OF POSN	PART NUMBER

THIS DRAWING IS A CONTROLLED DOCUMENT FOR TYCO ELECTRONICS CORPORATION. IT IS SUBJECT TO CHANGE AND THE CONTROLLING ENGINEERING ORGANIZATION SHOULD BE CONTACTED FOR THE LATEST REVISION.		DWN	06JUL2004	<b>BUCHANAN</b> Tyco Electronics Harrisburg, PA 17105-3608	
DIMENSIONS:		CHK	06JUL2004		
mm		APVD	06JUL2004		
TOLERANCES UNLESS OTHERWISE SPECIFIED:		PRODUCT SPEC	108-20166		
0 PLC	±	APPLICATION SPEC	114-20079	NAME	TERMINAL BLOCK HEADER ASSEMBLY 180 DEGREE, OPEN ENDS, STACKING 7.62mm PITCH
1 PLC	±.2	WEIGHT	-	SIZE	A2
2 PLC	±.25	CUSTOMER DRAWING		CAGE CODE	00779
3 PLC	±	SCALE	3:1	DRAWING NO	1776085
4 PLC	±	SHEET	1	RESTRICTED TO	-
ANGLES	±2	OF	1	REV	AI
FINISH	△	REV			