

4

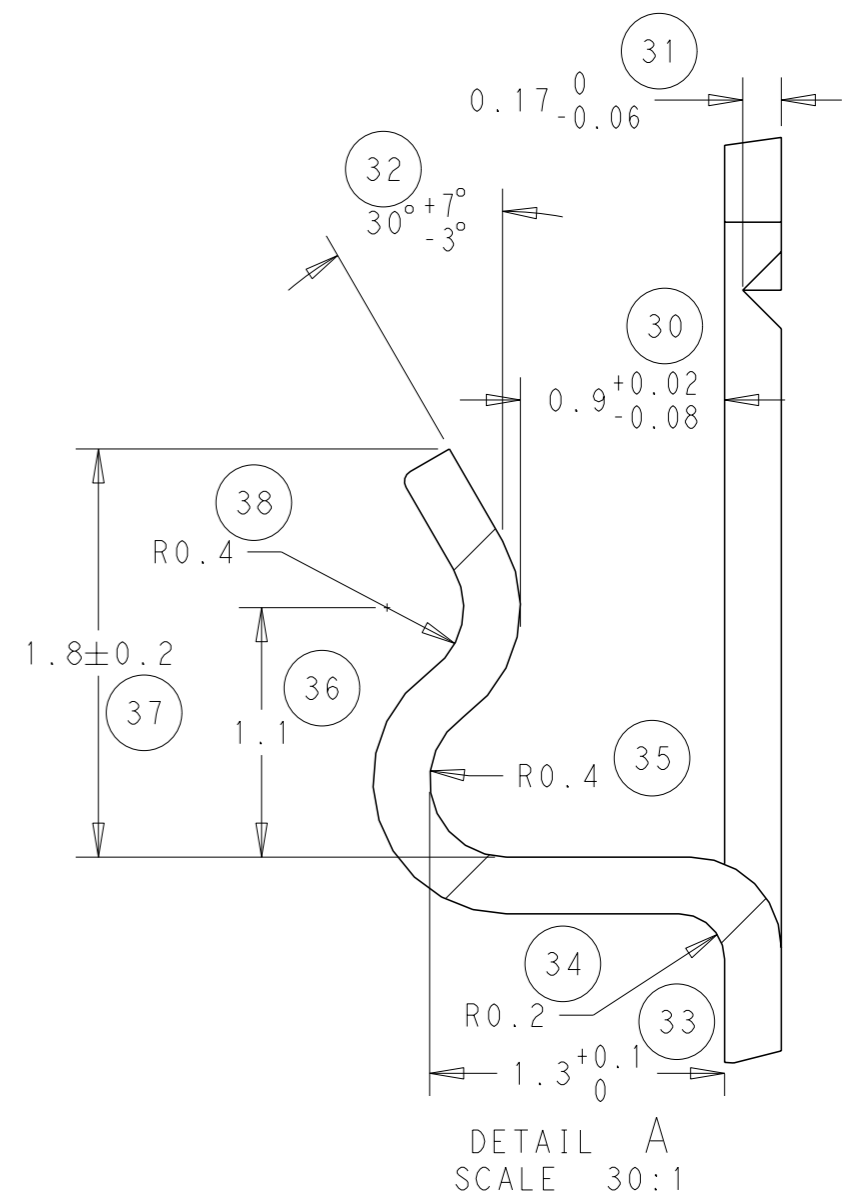
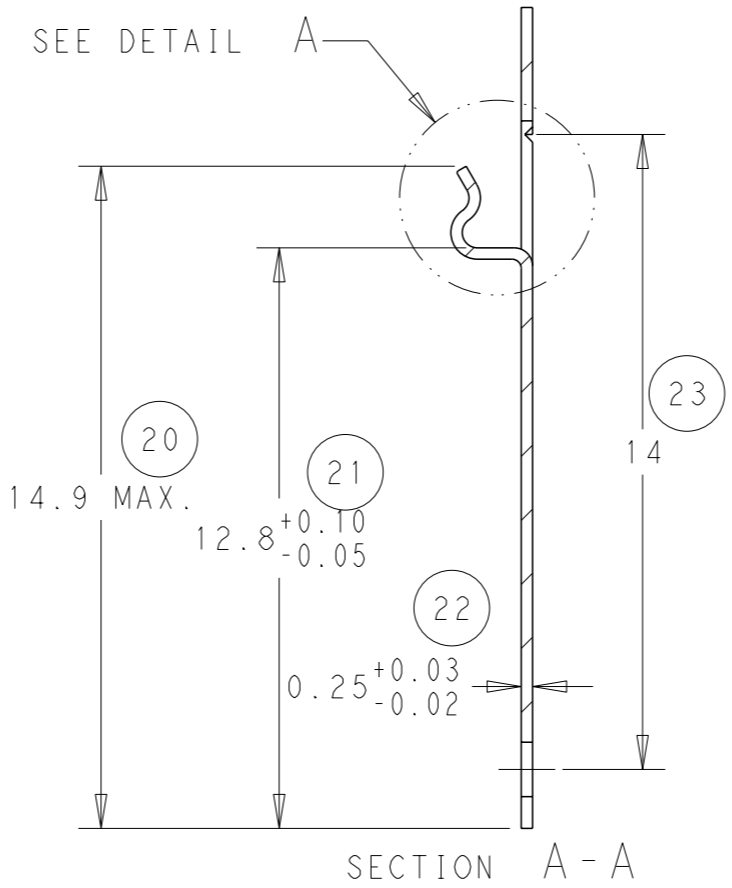
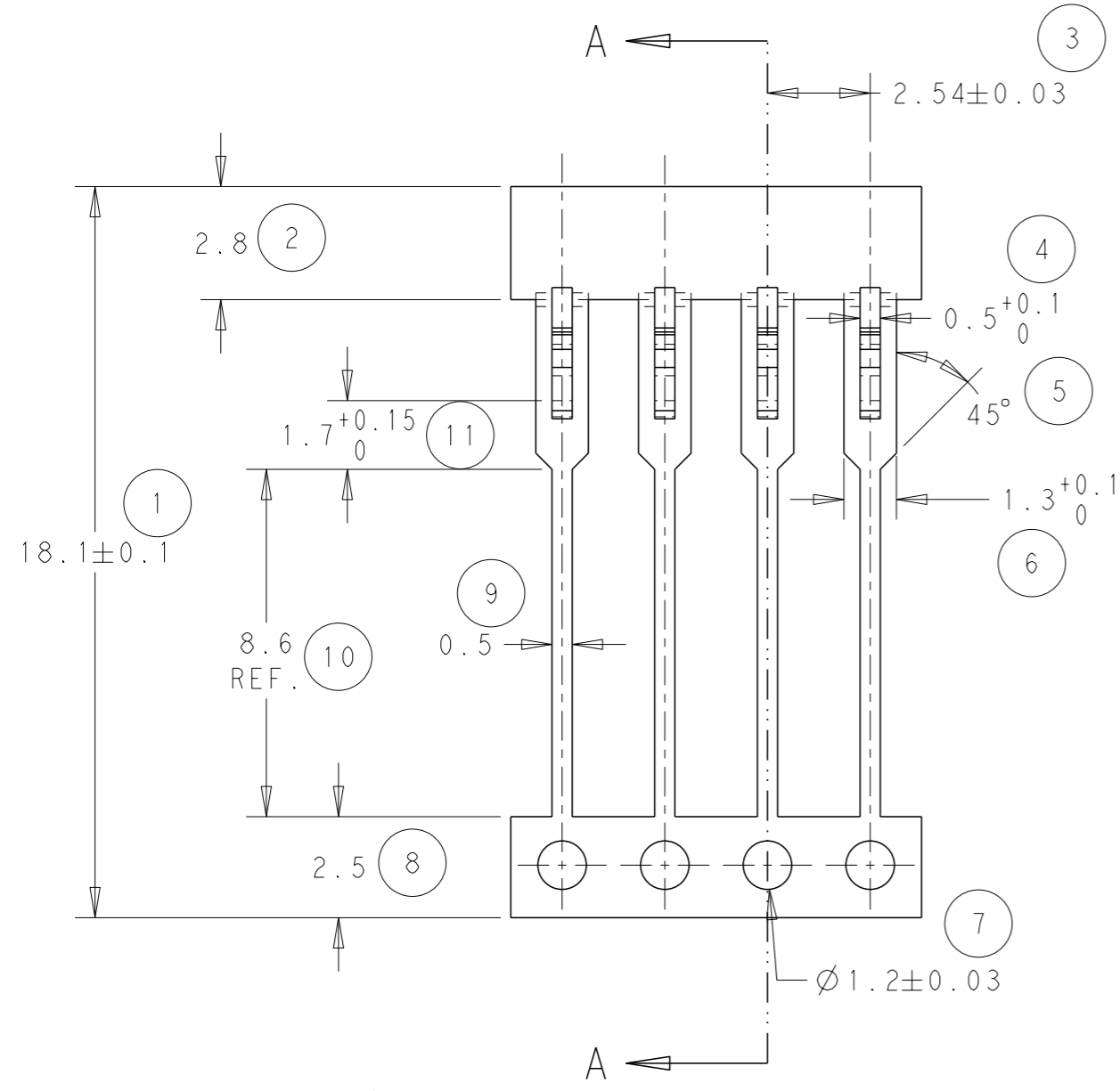
3

2

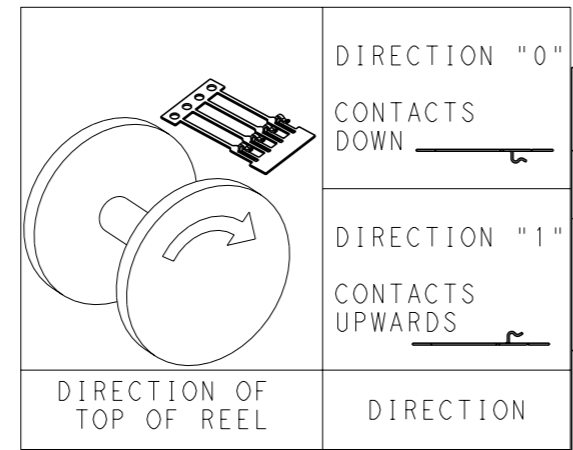
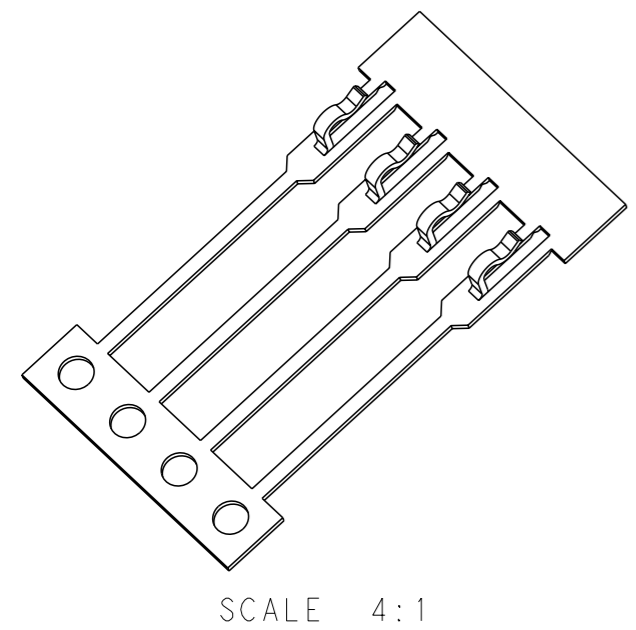
1

THIS DRAWING IS UNPUBLISHED. RELEASED FOR PUBLICATION 2011
 © COPYRIGHT 2011 ALL RIGHTS RESERVED.

LOC	DIST	REVISIONS					
		P	LTR	DESCRIPTION	DATE	DWN	APVD
B	-		G	ECR-11-014351	12/07/11	JB	MG



NOTE
 BOWING: AFTER UPPER TIE BAR REMOVAL - 1.5mm MAX. FOR 500mm
 PITCH: AFTER UPPER TIE BAR REMOVAL - 2.54±0.127



THIS DRAWING IS A CONTROLLED DOCUMENT.

DIMENSIONS:	TOLERANCES UNLESS OTHERWISE SPECIFIED:
mm	0 PLC ±-
	1 PLC ±-
	2 PLC ±0.05
	3 PLC ±-
	4 PLC ±-
	ANGLES ±0.5
MATERIAL	FINISH -
SEE ABOVE	

DWN	J. BRIGHT	12/07/11
CHK	M. GREENER	12/07/11
APVD	D. PENNINGTON	12/07/11
PRODUCT SPEC	-	
APPLICATION SPEC	-	
WEIGHT	-	
CUSTOMER DRAWING		

0	Ni & Sn	1544162-2
0	Sn	1544162-1
REELING	FINISH	PART NUMBER

STE TE Connectivity		NAME	
		SIL CONTACT	
SIZE	CAGE CODE	DRAWING NO	RESTRICTED TO
A3	00779	C-1544162	-
SCALE NTS		SHEET 1 OF 1	REV G