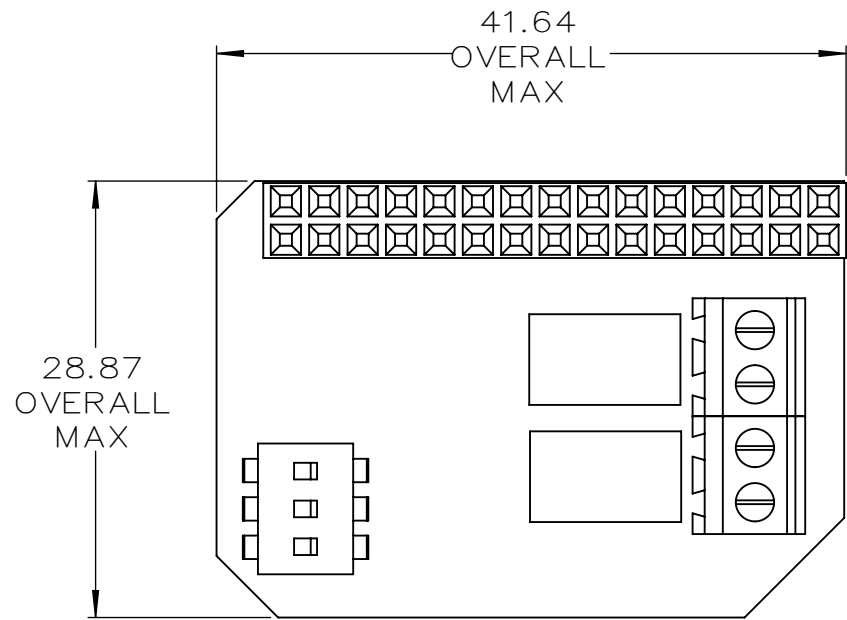
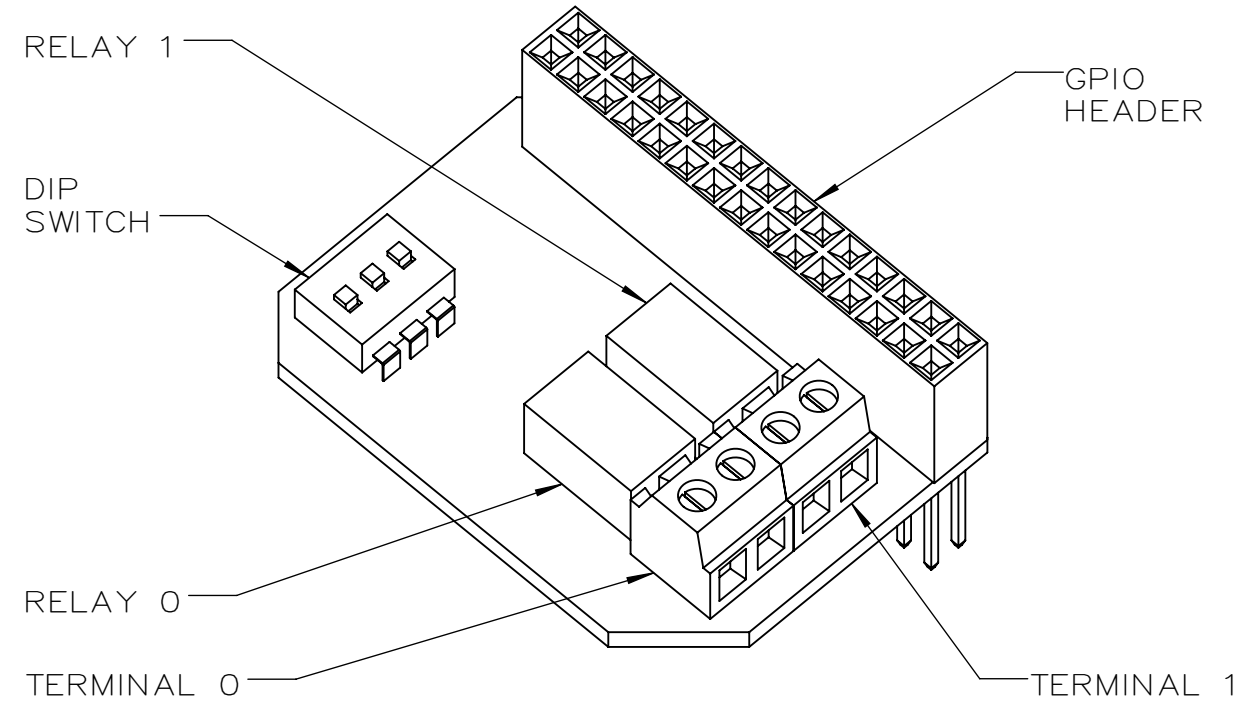


8 7 6 5 4 3 2 1

D

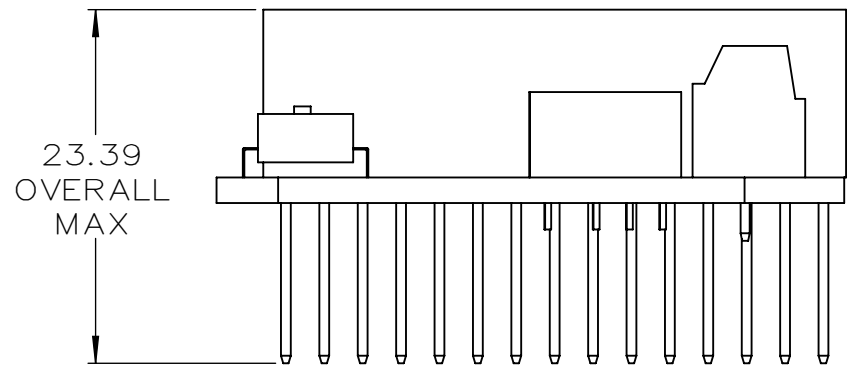


C

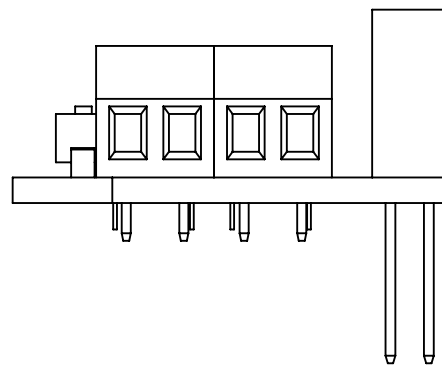


D

B



B



GENERAL DESCRIPTION

ONLY MAJOR AND INTERFACING COMPONENTS SHOWN.  
 THRU-HOLE PINS MAY HAVE SOLDER AT THEIR BASES.  
 SLIGHT VARIATIONS MAY OCCUR DUE TO MFG.  
 SEE DOCUMENTATION FOR HOW TO USE.  
 FOR REFERENCE ONLY; THIS IS NOT A DESIGN GUIDE.

		DIMENSION IN MM UNLESS NOTED	THE INFORMATION CONTAINED IN THIS DRAWING IS THE SOLE PROPERTY OF ONION CORPORATION. ANY REPRODUCTION IN PART OR AS A WHOLE WITHOUT THE WRITTEN PERMISSION OF ONION CORPORATION IS PROHIBITED.		
		TOLERANCES	AUTHOR	DATE	
		.X ±0.1	GO	2016-03-22	
		.XX ±0.06	CHECKED	DATE	
		.XXX ±0.010	APPROVED	DATE	TITLE
		ANG.			RELAY EXPANSION
		MACH ±0.5°			PART NO.
		BEND ±1°			OM-E-RLY
		MATERIAL	PROJECTION TYPE		REV.
					A2
NEXT ASSY	USED ON	DO NOT SCALE DRAWING			SCALE
					2:1
					SIZE
					B
					SHEET
					1 OF 6

8 7 6 5 4 3 2 1

A

A

8 7 6 5 4 3 2 1

D

D

C

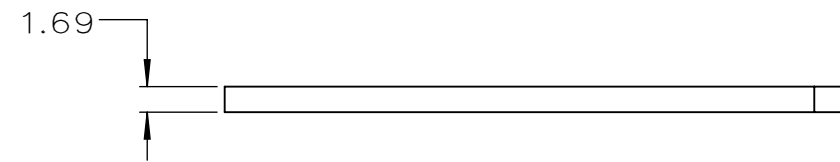
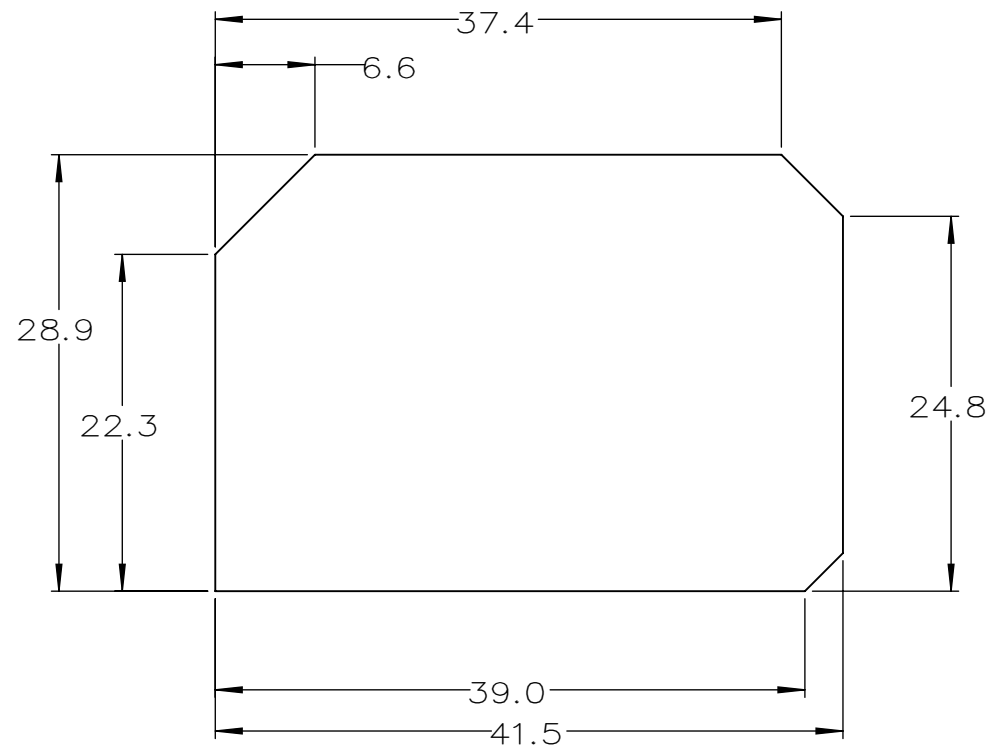
C

B

B



A

A



BOARD OUTLINE

ONLY MAJOR AND INTERFACING COMPONENTS SHOWN.  
 THRU-HOLE PINS MAY HAVE SOLDER AT THEIR BASES.  
 SLIGHT VARIATIONS MAY OCCUR DUE TO MFG.  
 SEE DOCUMENTATION FOR HOW TO USE.  
 FOR REFERENCE ONLY; THIS IS NOT A DESIGN GUIDE.

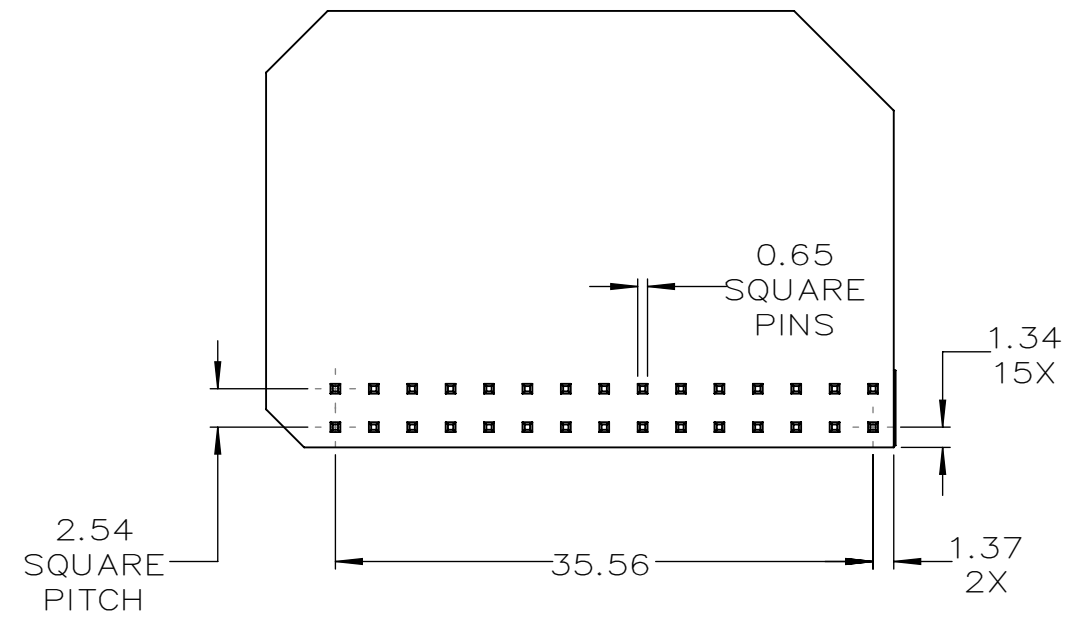
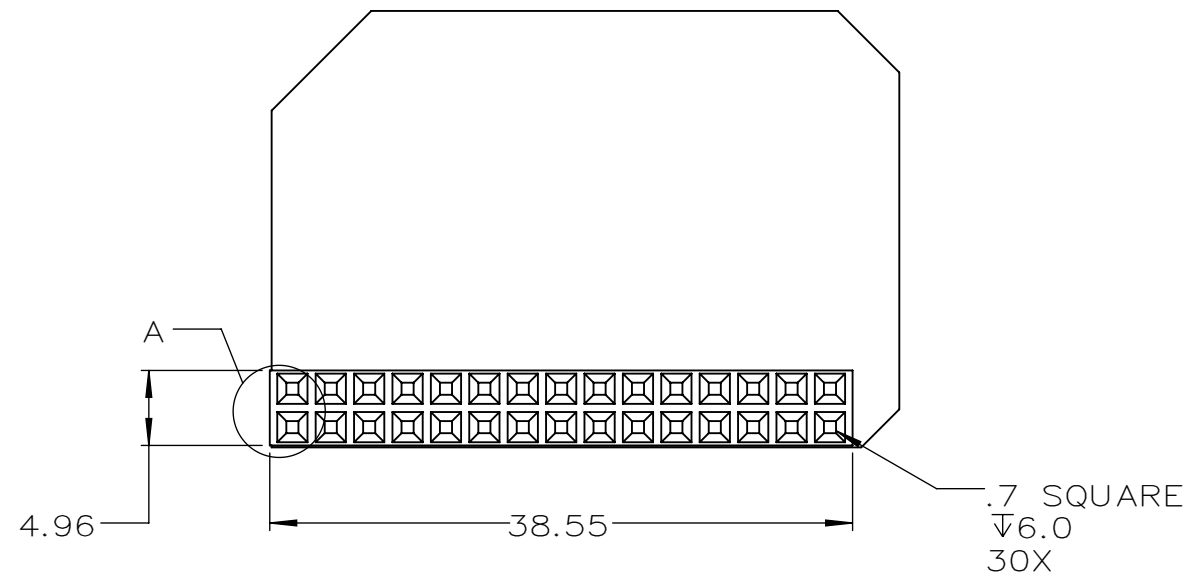
		DIMENSION IN MM UNLESS NOTED	THE INFORMATION CONTAINED IN THIS DRAWING IS THE SOLE PROPERTY OF ONION CORPORATION. ANY REPRODUCTION IN PART OR AS A WHOLE WITHOUT THE WRITTEN PERMISSION OF ONION CORPORATION IS PROHIBITED.		
		TOLERANCES	AUTHOR	DATE	
		.X ±0.1	GO	2016-03-22	
		.XX ±0.06	CHECKED	DATE	
		.XXX ±0.010	APPROVED	DATE	TITLE
		ANG.			RELAY EXPANSION
		MACH ±0.5°	PROJECTION TYPE		PART NO.
		BEND ±1°			OM-E-RLY
		MATERIAL			REV.
					A2
		DO NOT SCALE DRAWING			SCALE
					2:1
					SIZE
					B
					SHEET
					2 OF 6

8 7 6 5 4 3 2 1

8 7 6 5 4 3 2 1

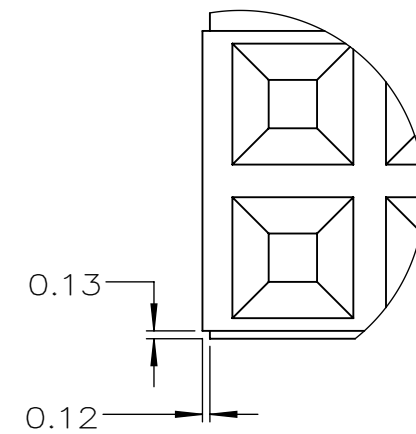
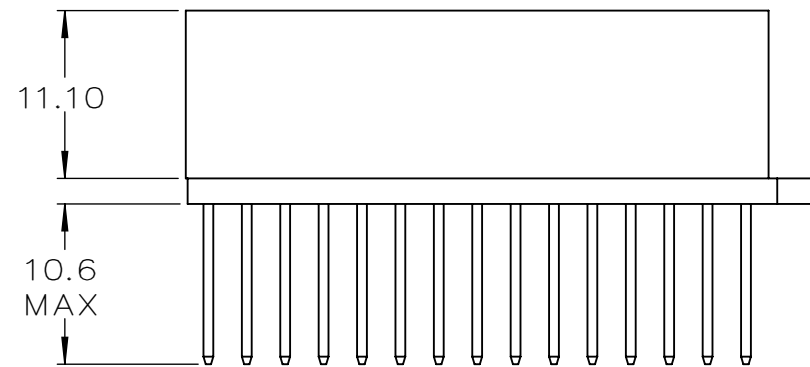
D

D



C

C



DETAIL A  
SCALE 8 : 1

GPIO DETAIL

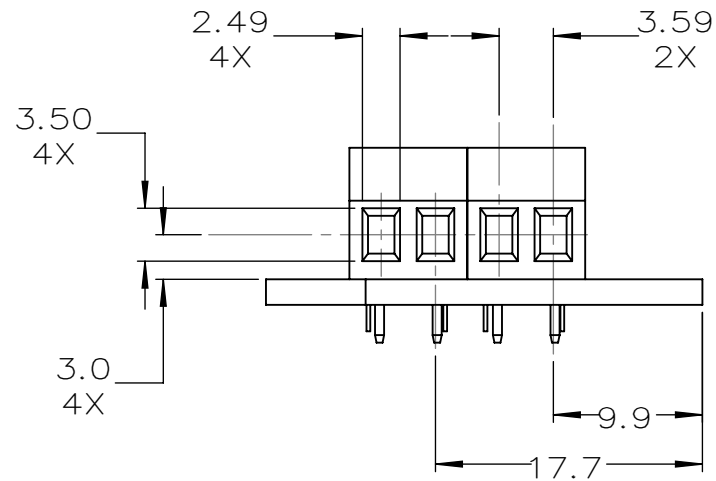
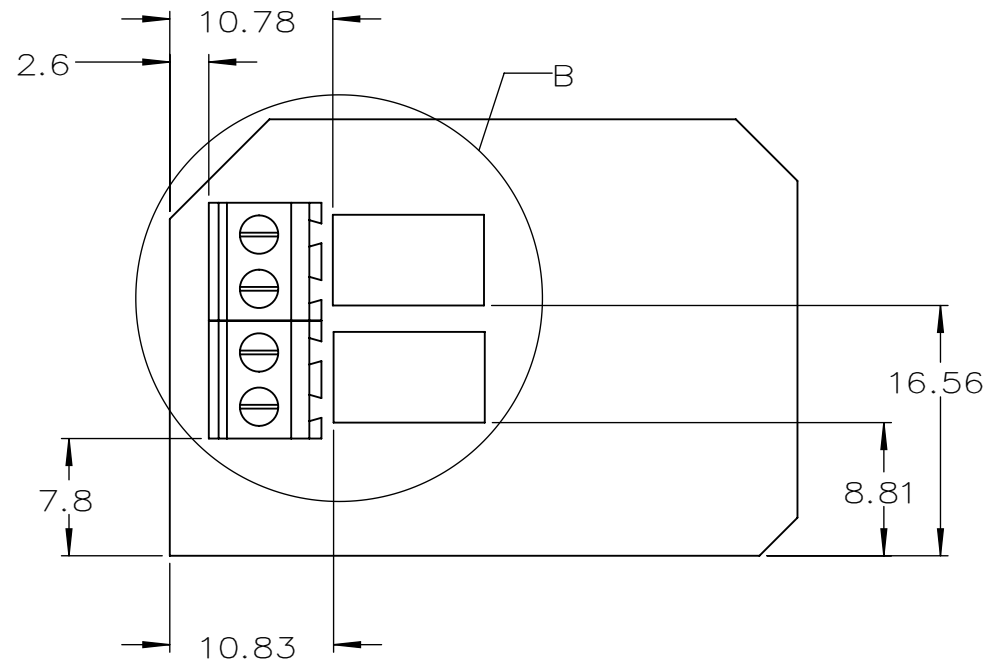
ONLY MAJOR AND INTERFACING COMPONENTS SHOWN.  
 THRU-HOLE PINS MAY HAVE SOLDER AT THEIR BASES.  
 SLIGHT VARIATIONS MAY OCCUR DUE TO MFG.  
 SEE DOCUMENTATION FOR HOW TO USE.  
 FOR REFERENCE ONLY; THIS IS NOT A DESIGN GUIDE.

A

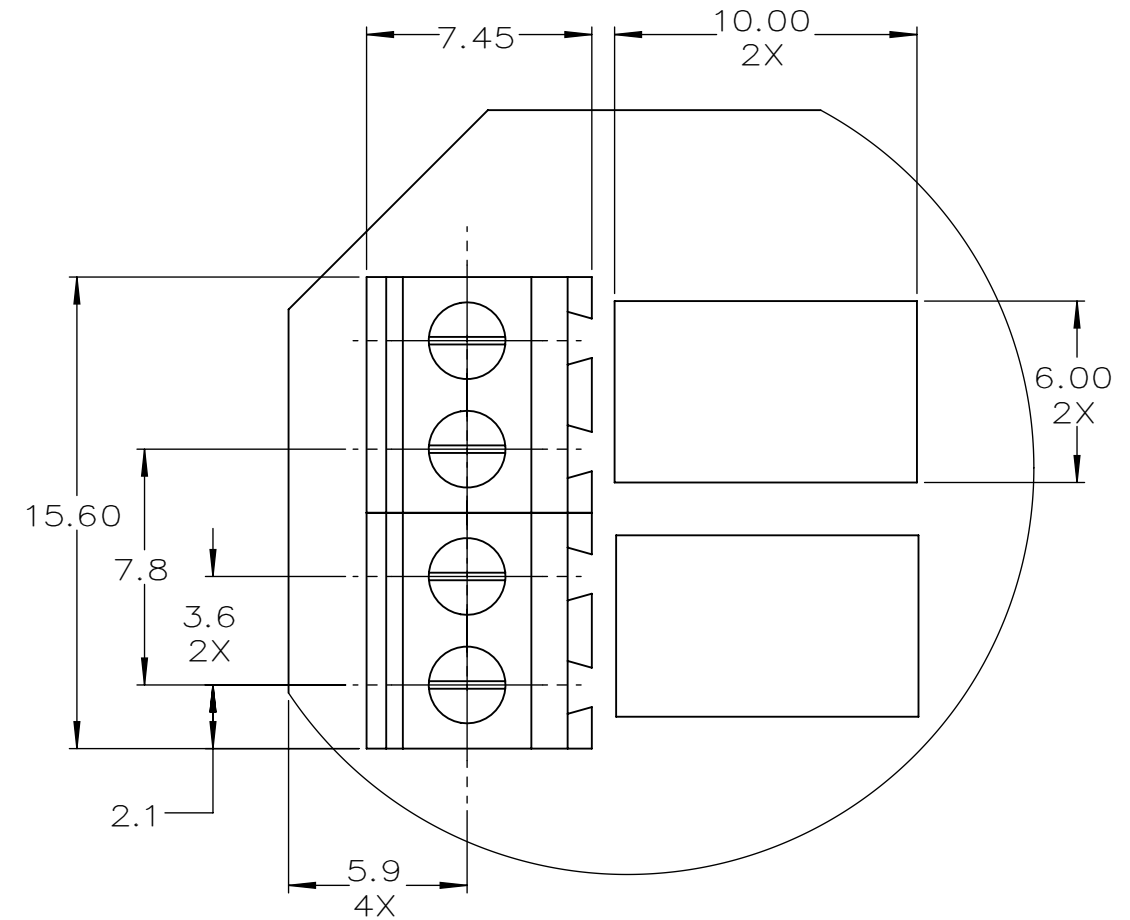
A

		DIMENSION IN MM UNLESS NOTED	THE INFORMATION CONTAINED IN THIS DRAWING IS THE SOLE PROPERTY OF ONION CORPORATION. ANY REPRODUCTION IN PART OR AS A WHOLE WITHOUT THE WRITTEN PERMISSION OF ONION CORPORATION IS PROHIBITED.		
		TOLERANCES	AUTHOR	DATE	
		.X ±0.1	GO	2016-03-22	
		.XX ±0.06	CHECKED	DATE	
		.XXX ±0.010	APPROVED	DATE	TITLE
		ANG.			RELAY EXPANSION
		MACH ±0.5°	PROJECTION TYPE		PART NO.
		BEND ±1°			OM-E-RLY
		MATERIAL			REV.
					A2
		DO NOT SCALE DRAWING			SCALE
					2:1
					SIZE
					B
					SHEET
					3 OF 6
NEXT ASSY	USED ON				

8 7 6 5 4 3 2 1




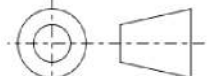
TERMINAL BLOCK  
PORT DETAIL



DETAIL B  
SCALE 4 : 1

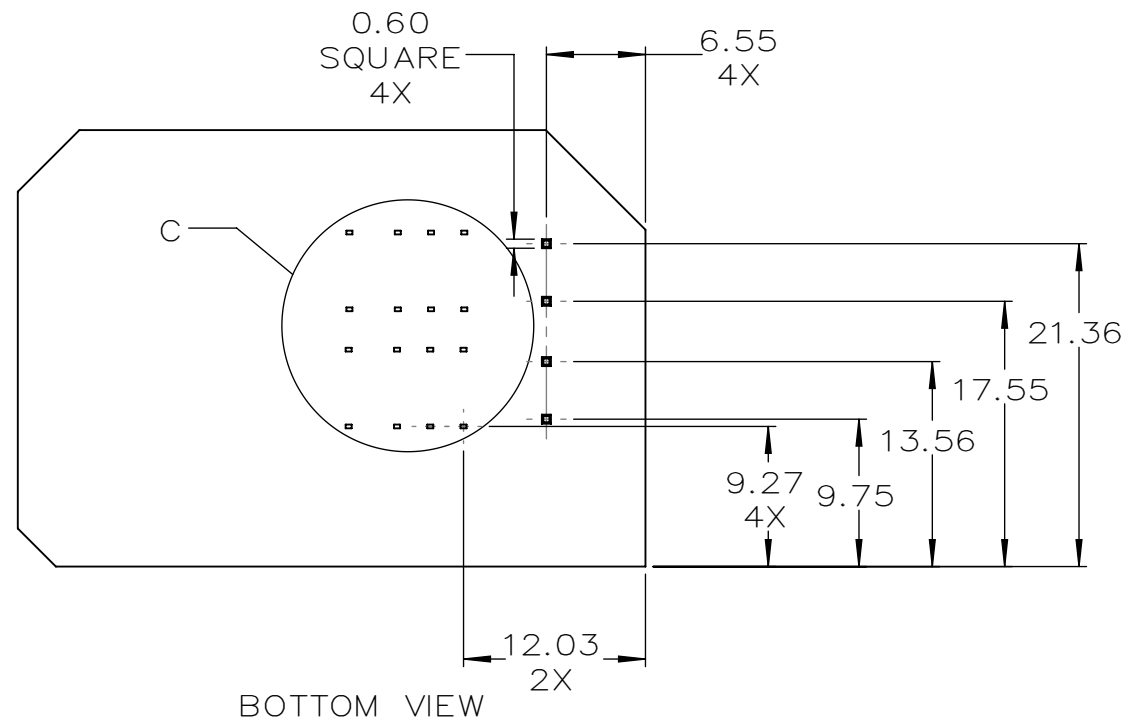
RELAY, TERMINAL  
DETAIL

ONLY MAJOR AND INTERFACING COMPONENTS SHOWN.  
THRU-HOLE PINS MAY HAVE SOLDER AT THEIR BASES.  
SLIGHT VARIATIONS MAY OCCUR DUE TO MFG.  
SEE DOCUMENTATION FOR HOW TO USE.  
FOR REFERENCE ONLY; THIS IS NOT A DESIGN GUIDE.

		DIMENSION IN MM UNLESS NOTED	THE INFORMATION CONTAINED IN THIS DRAWING IS THE SOLE PROPERTY OF ONION CORPORATION. ANY REPRODUCTION IN PART OR AS A WHOLE WITHOUT THE WRITTEN PERMISSION OF ONION CORPORATION IS PROHIBITED.		
		TOLERANCES	AUTHOR	DATE	
		.X ±0.1 .XX ±0.06 .XXX ±0.010 ANG. MACH ±0.5° BEND ±1°	GO	2016-03-22	
		MATERIAL	CHECKED	DATE	TITLE
					RELAY EXPANSION
			APPROVED	DATE	PART NO.
					OM-E-RLY
			PROJECTION TYPE		REV.
					A2
NEXT ASSY	USED ON	DO NOT SCALE DRAWING	SCALE	SIZE	SHEET
			2:1	B	4 OF 6

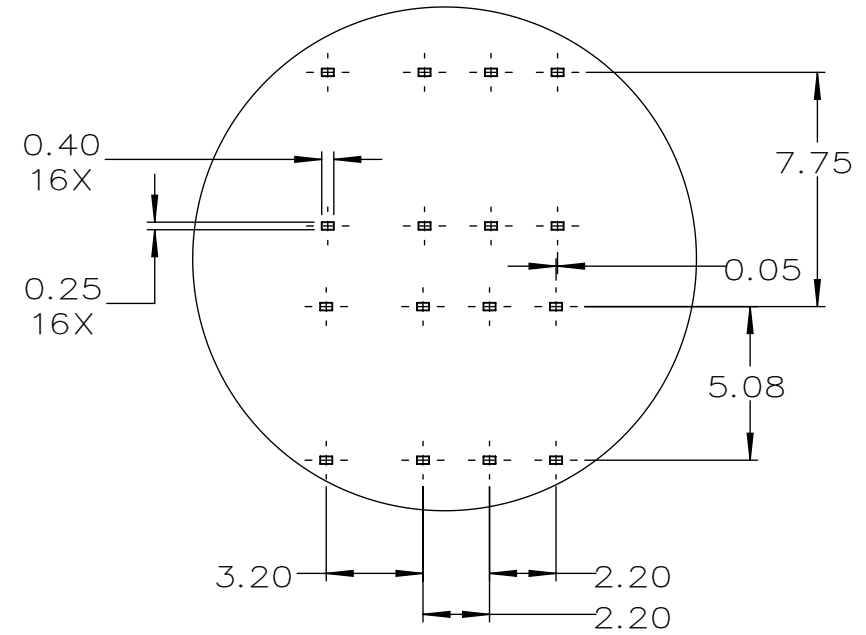
D

D



C

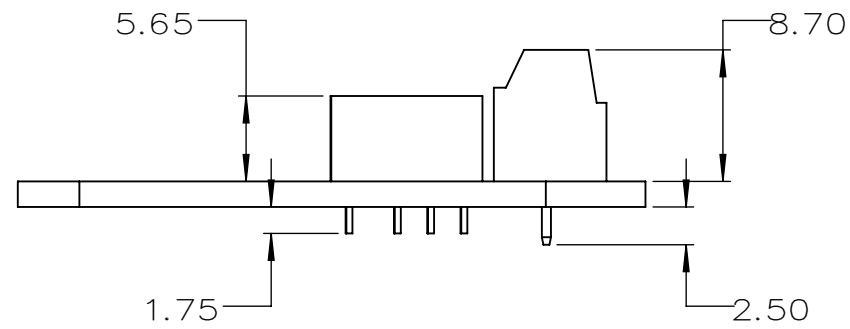
C



DETAIL C  
SCALE 4 : 1

B

B



REAR VIEW

RELAY, TERMINAL  
PIN DETAIL

ONLY MAJOR AND INTERFACING COMPONENTS SHOWN.  
THRU-HOLE PINS MAY HAVE SOLDER AT THEIR BASES.  
SLIGHT VARIATIONS MAY OCCUR DUE TO MFG.  
SEE DOCUMENTATION FOR HOW TO USE.  
FOR REFERENCE ONLY; THIS IS NOT A DESIGN GUIDE.

A

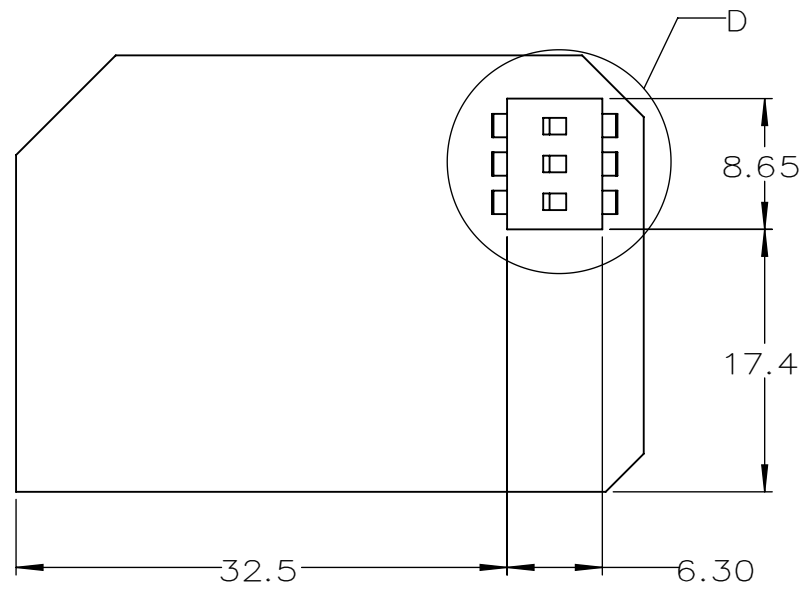
A

		DIMENSION IN MM UNLESS NOTED	THE INFORMATION CONTAINED IN THIS DRAWING IS THE SOLE PROPERTY OF ONION CORPORATION. ANY REPRODUCTION IN PART OR AS A WHOLE WITHOUT THE WRITTEN PERMISSION OF ONION CORPORATION IS PROHIBITED.		
		TOLERANCES	AUTHOR	DATE	
		.X ±0.1 .XX ±0.06 .XXX ±0.010 ANG. MACH ±0.5° BEND ±1°	GO	2016-03-22	
		MATERIAL	CHECKED	DATE	TITLE
					RELAY EXPANSION
			APPROVED	DATE	PART NO.
					OM-E-RLY
			PROJECTION TYPE		REV.
					A2
NEXT ASSY	USED ON	DO NOT SCALE DRAWING	SCALE	SIZE	SHEET
			2:1	B	5 OF 6

8 7 6 5 4 3 2 1

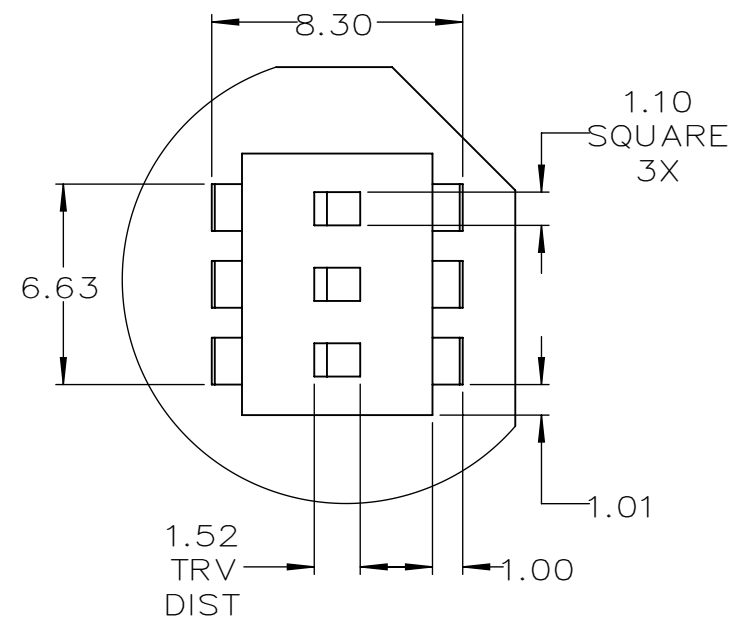
D

D



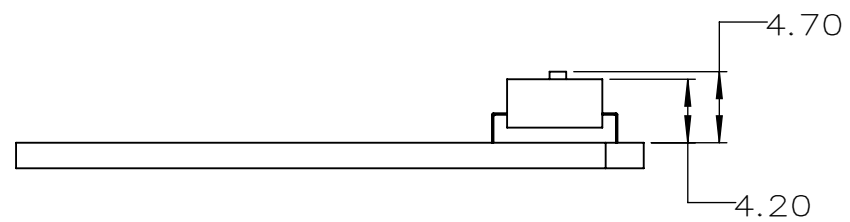
C

C



B

B



DIP SWITCH  
DETAIL

ONLY MAJOR AND INTERFACING COMPONENTS SHOWN.  
THRU-HOLE PINS MAY HAVE SOLDER AT THEIR BASES.  
SLIGHT VARIATIONS MAY OCCUR DUE TO MFG.  
SEE DOCUMENTATION FOR HOW TO USE.  
FOR REFERENCE ONLY; THIS IS NOT A DESIGN GUIDE.

A

A

		DIMENSION IN MM UNLESS NOTED	THE INFORMATION CONTAINED IN THIS DRAWING IS THE SOLE PROPERTY OF ONION CORPORATION. ANY REPRODUCTION IN PART OR AS A WHOLE WITHOUT THE WRITTEN PERMISSION OF ONION CORPORATION IS PROHIBITED.		
		TOLERANCES	AUTHOR	DATE	
		.X ±0.1	GO	2016-03-22	
		.XX ±0.06	CHECKED	DATE	
		.XXX ±0.010	APPROVED	DATE	TITLE
		ANG.			RELAY EXPANSION
		MACH ±0.5°	PROJECTION TYPE		PART NO.
		BEND ±1°			OM-E-RLY
		MATERIAL			REV.
					A2
					SCALE SIZE SHEET
					2:1 B 6 OF 6
NEXT ASSY	USED ON	DO NOT SCALE DRAWING			

8 7 6 5 4 3 2 1