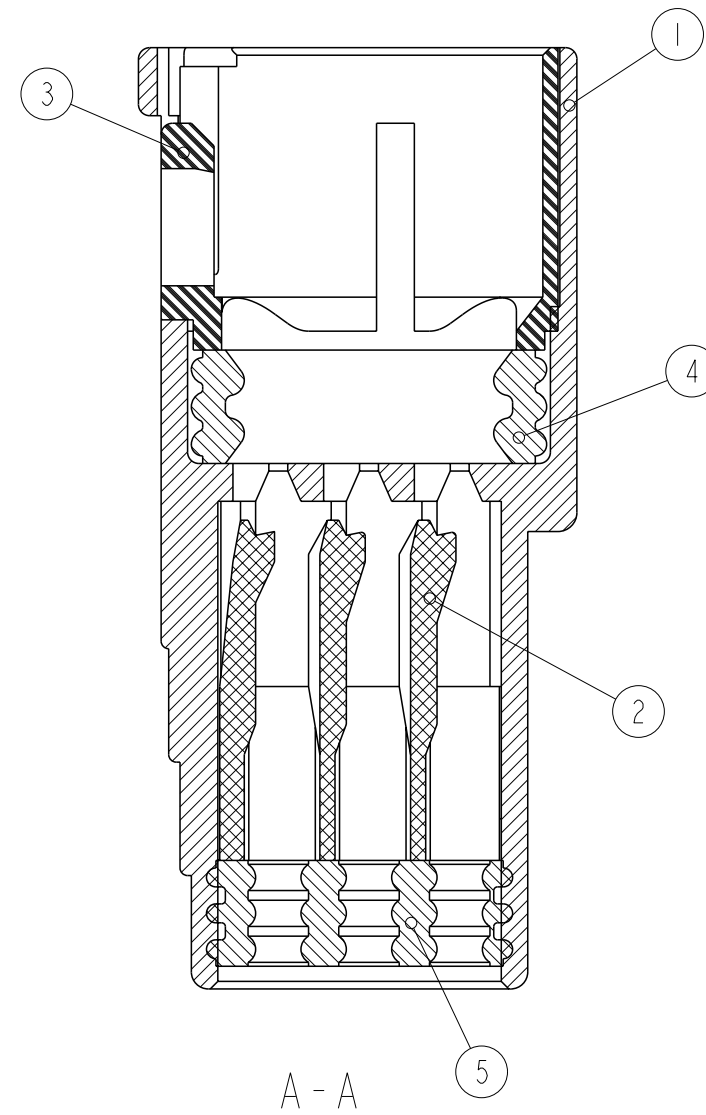
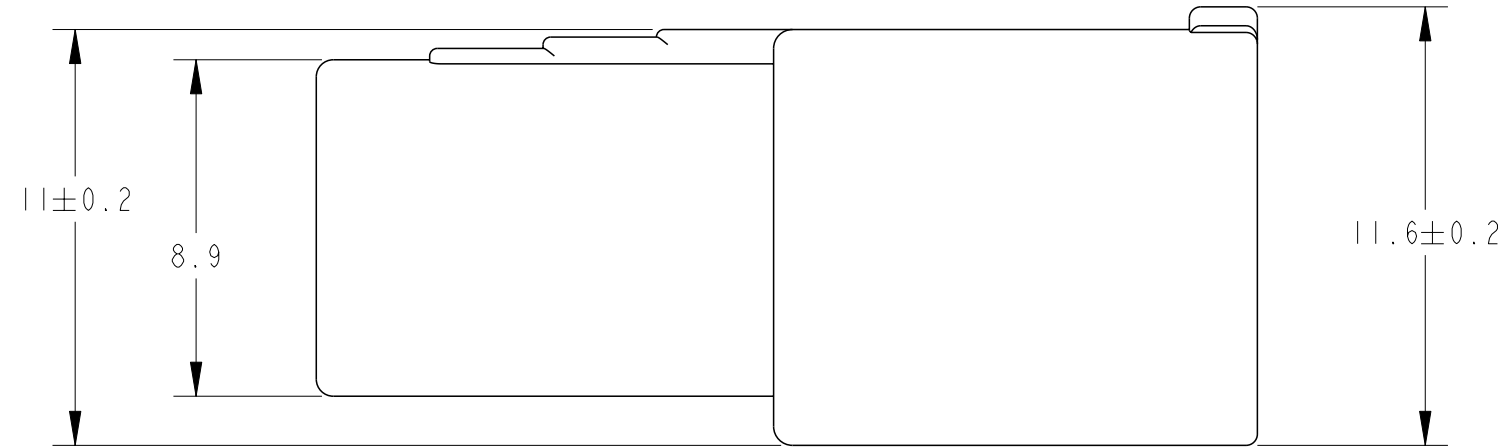
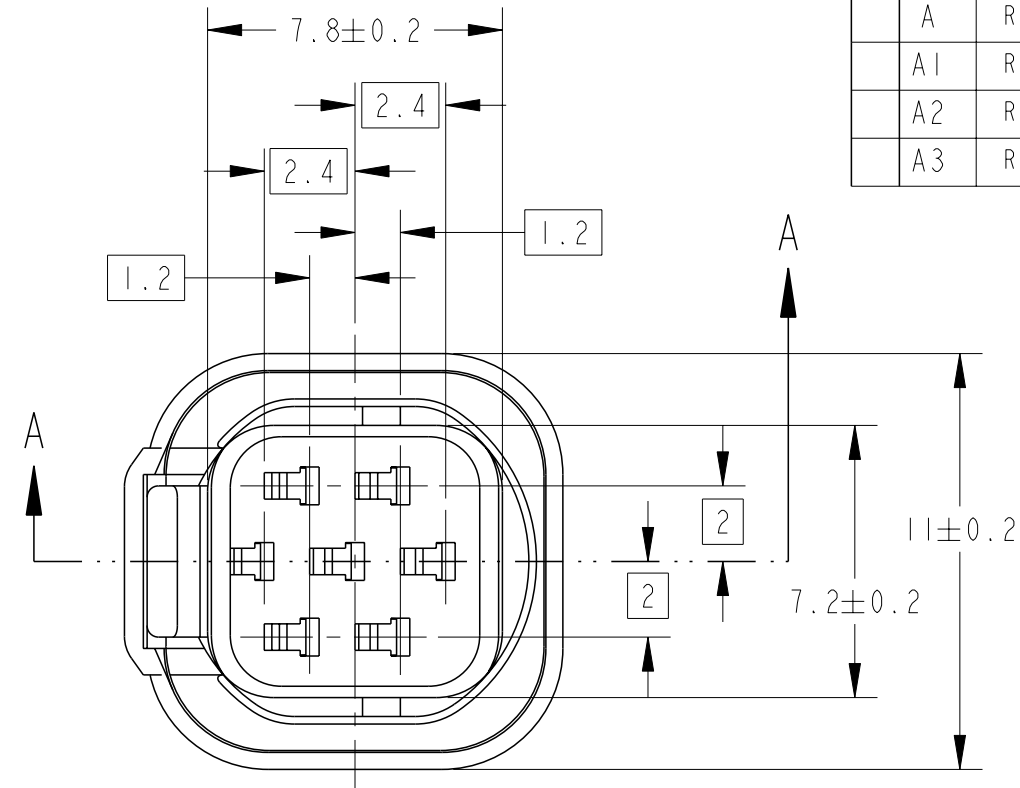
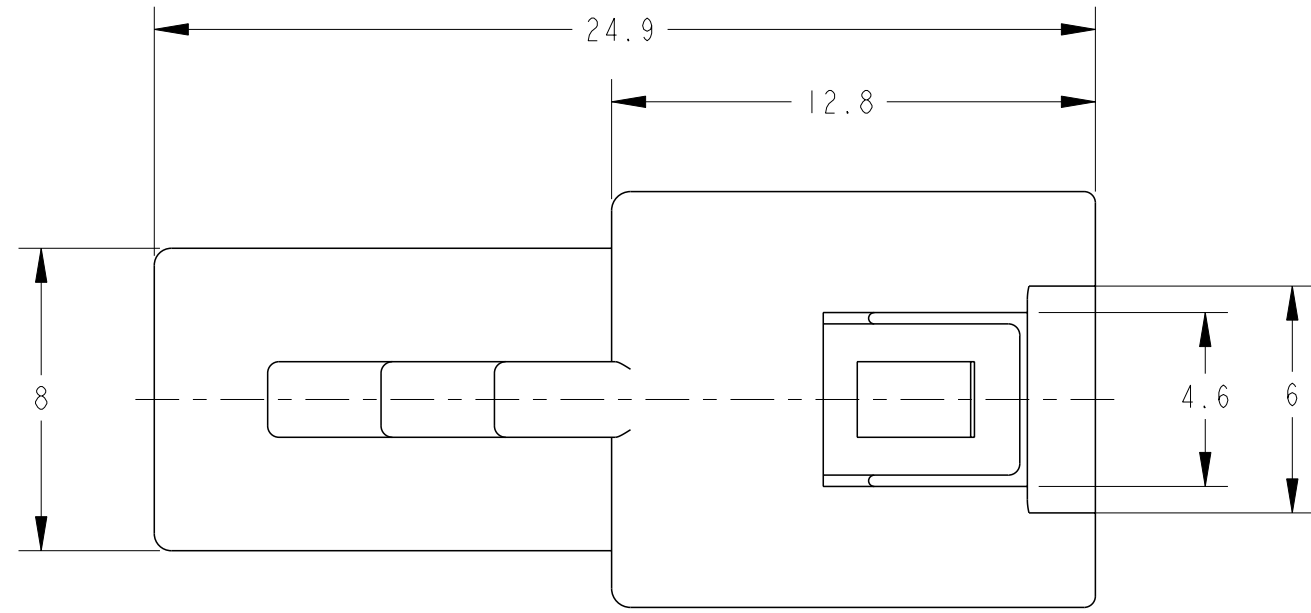
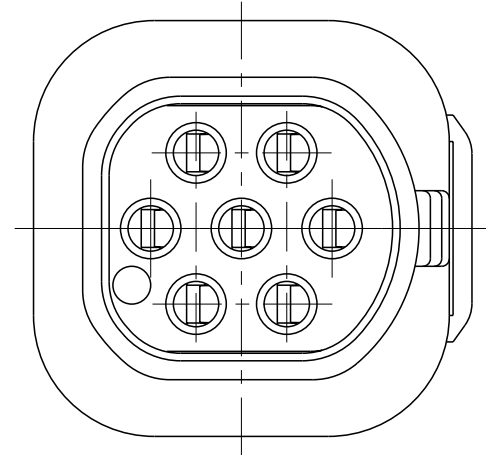


THIS DRAWING IS UNPUBLISHED. RELEASED FOR PUBLICATION FEB. 2019  
 © COPYRIGHT 2019 Tyco Electronics Japan G.K. ALL RIGHTS RESERVED.

LOC		DIST		REVISIONS			
P	LTR	DESCRIPTION	DATE	DWN	APVD		
	A	RELEASED	09JUN14	DM	TK		
	A1	REVISED ECR-14-016391	06NOV14	DM	TK		
	A2	REVISED ECR-18-017793	18FEB19	DM	HK		
	A3	REVISED ECR-19-006693	15AUG2019	DM	HK		



- 1. THE MATING PLUG HSG P/N 2822343
- 2. APPLIED CONTACT P/N 917309
- 3. APPLICABLE PRODUCT SPEC. No. 108-5426
- 4. INSTRUCTION SHEET: 412-5653
- 5. SEAL RUBBER IS NON-BIS TYPE
- 6. APPLIED CAVITY PLUG: 316390-7

- 1. 嵌手相手ハウジング型番: 2822343
- 2. 内装するタブコンタクト型番: 917309
- 3. 適用製品規格番号: 108-5426-1
- 4. 取扱説明書: 412-5653-1
- 5. シールラバーはフタル酸フリー品である。
- 6. 内装するキャビティプラグ型番: 316390-7

-	-	-	-	-	7POSITION CAP HOUSING (YELLOW)	1
-	-	-	-	-	7POSITION CAP HOUSING (GRAY)	1
-	-	-	-	-	7POSITION CAP HOUSING (BLACK)	1
-	-	-	-	-	7POSITION CAP HOUSING (NATURAL)	1
-	-	-	-	-	SEAL RUBBER (BLACK)	5
-	-	-	-	-	SEAL RING (LIGHT GRAY)	4
-	-	-	-	-	SEAL RING HOLDER (GREEN)	3
-	-	-	-	-	7POSITION HOUSING LANCE (GREEN)	2
-	-	-	-	-	7POSITION CAP HOUSING (GREEN)	1
2822344-5	2822344-4	2822344-3	2822344-2	2822344-1	NAME & COLOR	ITEM NO.

TOLERANCE UNLESS OTHERWISE SPECIFIED:	
10±	±0.2
30±	>±0.25
100±	>±0.3
ANGLE	±0.3°

THIS DRAWING IS A CONTROLLED DOCUMENT.	
DIMENSIONS: 単位: 形 (mm)	TOLERANCES UNLESS OTHERWISE SPECIFIED: 一般公差 (mm)
0 PLC ±0.1	1 PLC ±0.1
2 PLC ±0.01	3 PLC ±0.001
4 PLC ±0.0001	ANGLES ±1°00'
MATERIAL 材料 PBT G	FINISH 仕上 SEE TABLE

DWN D. MATSUURA 09 JUN 2014	 TE Connectivity	NAME 名称 7POSITION CAP HOUSING MINI MULTILOCK CONNECTOR			
CHK T. KOHNO 09 JUN 2014					
APVD T. KOHNO 09 JUN 2014					
PRODUCT SPEC 108-5426					
APPLICATION SPEC	SIZE A2	CAGE CODE 00779	DRAWING NO. C-2822344	RESTRICTED TO	
WEIGHT	CUSTOMER DRAWING		SCALE 5:1	SHEET 1 OF 1	REV A3