

Coupling - VS-MP-PPC/CG-XL-10G - 1403686

Please be informed that the data shown in this PDF Document is generated from our Online Catalog. Please find the complete data in the user's documentation. Our General Terms of Use for Downloads are valid (<http://download.phoenixcontact.com>)



Multi-port data connection: RJ45, 10 Gbps, for passive PROFINET cabling to robots, including mounting foot.

Product description

Push/pull data coupling; version 14



Key commercial data

GTIN	 4 046356 664356
------	---

Technical data

Mechanical characteristics

Connection profile	Data: 8-pos.
Insertion/withdrawal cycles	> 1000 (Data)
Max. cable diameter	7 mm ... 10.5 mm (Data cable gland)
Ambient temperature (operation)	-40 °C ... 70 °C

Material data

Housing material	Aluminum alloy
Degree of protection	IP65

Electrical characteristics

Transmission characteristics (category)	CAT6 _A
---	-------------------

Classifications

ETIM

ETIM 3.0	EC000830
ETIM 4.0	EC001134

Coupling - VS-MP-PPC/CG-XL-10G - 1403686

Classifications

ETIM

ETIM 5.0	EC001134
----------	----------

UNSPSC

UNSPSC 11	26121604
UNSPSC 12.01	31261501
UNSPSC 13.2	26121616
UNSPSC 6.01	26121616
UNSPSC 7.0901	26121616

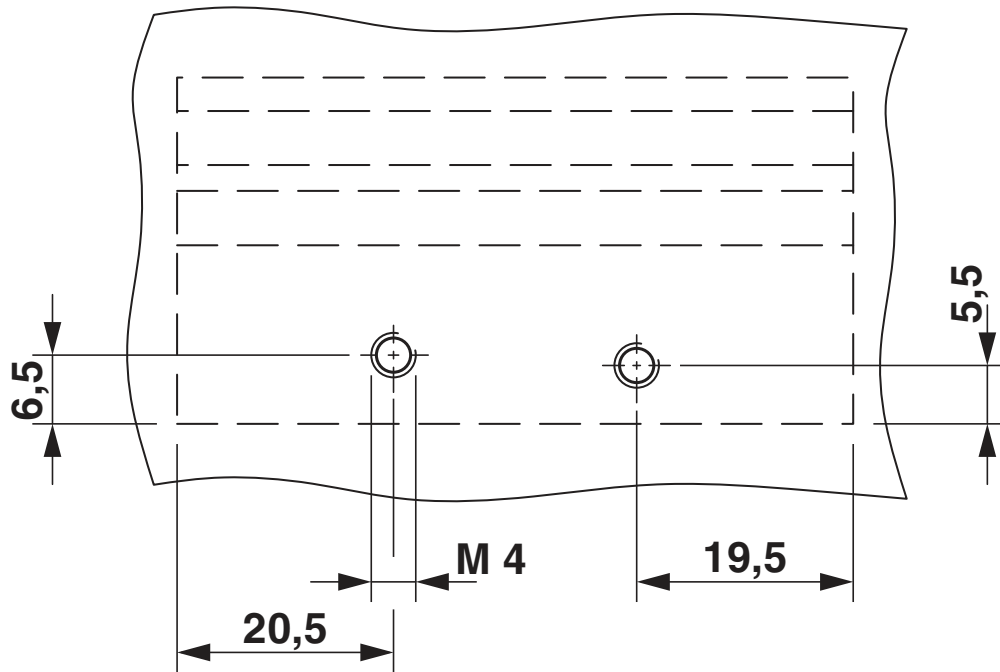
eCl@ss

eCl@ss 4.0	272607xx
eCl@ss 4.1	27260701
eCl@ss 5.0	27260701
eCl@ss 5.1	27061801
eCl@ss 6.0	27061801
eCl@ss 7.0	27061801

Drawings

Coupling - VS-MP-PPC/CG-XL-10G - 1403686

Drilling diagram



Coupling - VS-MP-PPC/CG-XL-10G - 1403686

Dimensioned drawing

