

5 Amp Ultra Slim Miniature PCB Power Relay	PC466
---	--------------



FEATURES

- 5 Amp Continuous Contact Capacity
- Ultra Slim Miniature Design
- Sensitive 200 milliwatt Coil
- 4 kV Dielectric between Coil
- 6 kV Surge Voltage
- Class "B" Insulation Standard
- Sealed, Immersion Cleanable
- RoHS Compliant

UL / CUL Ratings

Load Type	All Forms All Contacts
General Use	5A at 250 VAC / 30 VDC
Max Switching Power	150 W / 1250 VA
Max Switching Voltage	250 VAC / 30 VDC

CHARACTERISTICS

Operate Time	10 ms Max
Release Time	5 ms Max
Insulation Resistance	1,000 MΩ min (at 500 VDC, 50%RH)
Dielectric Strength	3,000 Vrms, 1 min. Between Coil and Contacts 750 Vrms, 1 min. Between Open Contacts
Shock Resistance	10 g, 11 ms, functional; 100 g, destructive
Vibration Resistance	DA 1.6 mm, 10 - 55 Hz
Power Consumption	0.2W
Operating Temperature	-25° to 70° C
Storage Temperature	-25° to 130° C
Weight	3 grams

CONTACT DATA

Material	AgCdO (Silver Cadmium Oxide)	
Initial Contact Resistance	100 milliohms max @ 0.1 A, 6 VDC	
Service Life	Mechanical	2 X 10 ⁷ Operations
	Electrical	1 X 10 ⁵ Operations

ORDERING INFORMATION

Example:	PC466	-1A	-12	S	-X
Model:	PC466				
Contact Form:	1A				
Coil Voltage:	5, 12, 24				
Enclosure:	S: Sealed; C: Flux Tight⁽¹⁾				
RoHS Compliant:	-X				

(1) Flux Tight relays are constructed such that Flux will not enter the relay in an automated soldering process, they are NOT Suitable for water wash cleaning.

Box Quantity: 3,200; Inner Box: 800

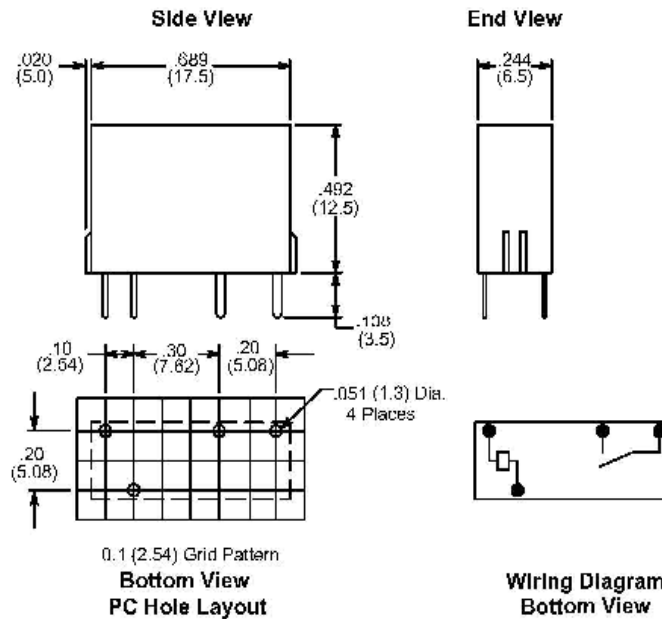
COIL DATA

Coil Voltage	Resistance Ω $\pm 10\%$	Must Operate Voltage Max.	Must Release Voltage Min.	Continuous Voltage Max.	Coil Power
5	125	3.5	0.5	5.5	200 mW
12	720	8.4	1.2	13.2	
24	2880	16.8	2.4	26.4	

NOTES:

The use of any coil voltage less than the rated voltage will compromise the operation of the relays. Must Operate Voltage is listed for test purposes only and is not to be used as design criteria. Pickup and release voltages are for test purposes only and are not to be used as design criteria.

DIMENSIONS in inches (mm)



REFERENCE DATA

