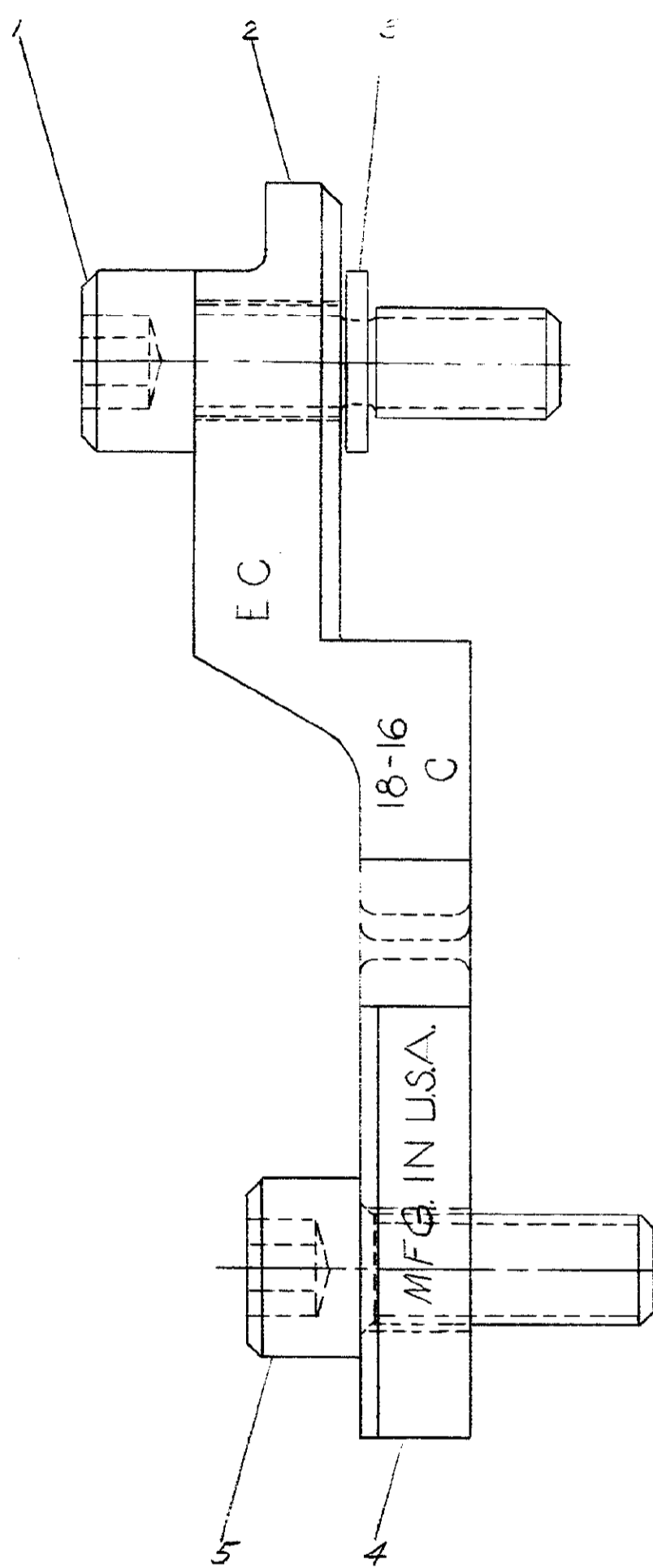
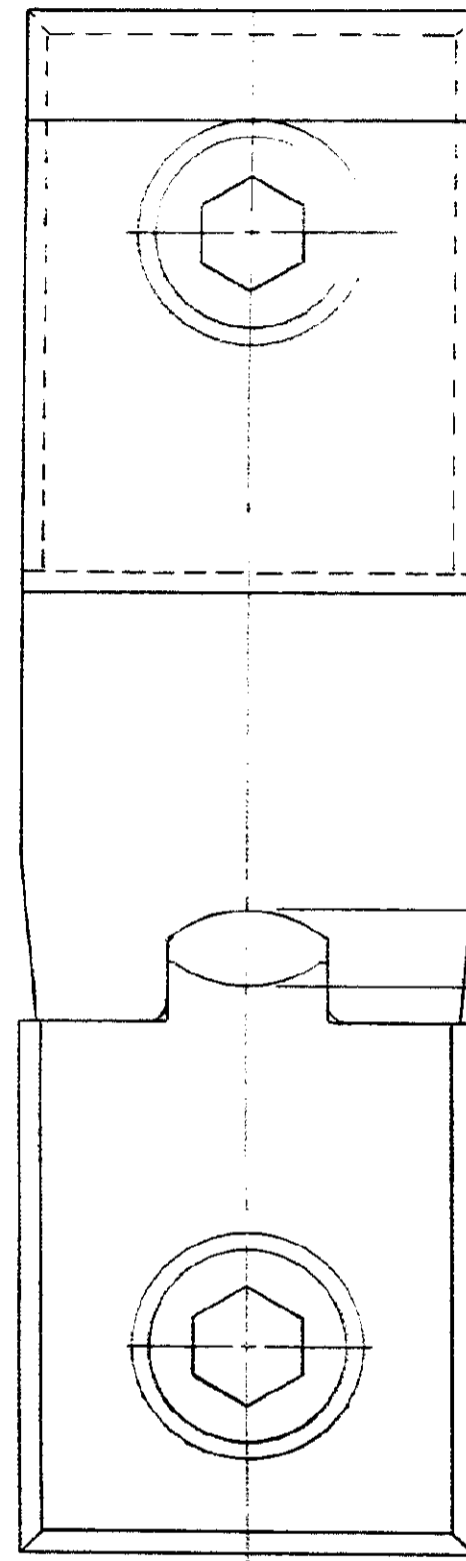
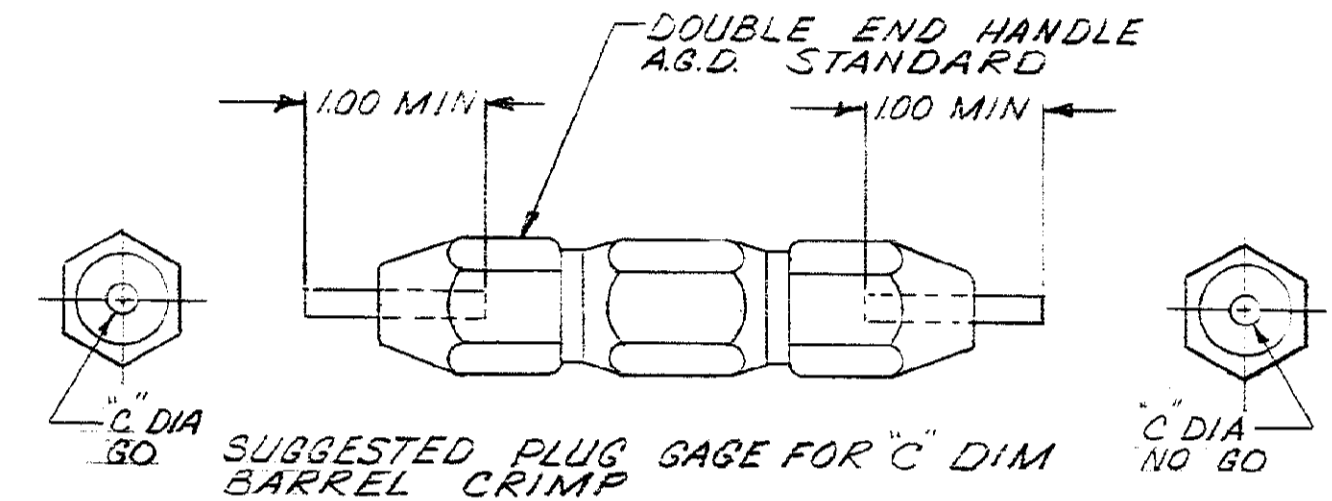


NUMBER 69973



BARREL CRIMP
ENLARGED VIEW OF CRIMP

"C" DIM	NO GO
.105	.111



* ACCESSORIES

SUPERSEDED BY 1.S. 2254

* 1	308163-1	TERMINAL EXTRACTOR	9
* 1	307252-1	STOP TERMINAL, CLOSED END SPLICE	8
* 1	307251-1	STOP TERMINAL, CLOSED END SPLICE	7
* 1	307250-1	HOLDER TOOLING, CLOSED END SPLICE	6
1	3-21000-5	SCREW (10-32 UNF-3A x .500 LG)	5
1	307352-1	ANVIL	4
1	1-21046-3	RING-RETAINING	3
1	307351-1	INDENTER	2
1	1-59781-3	SCREW (10-32 UNF-3A x .625 LG)	1

REQUIRE PER ASSEMBLY	DRWG SIZE	NUMBER	NAME	REMARKS	ITEM NO.
		69973	DIE ASSEMBLY		
©1970 BY AMP INCORPORATED. ALL RIGHTS RESERVED. AMP PRODUCTS COVERED BY PATENTS AND/OR PATENTS PENDING.					
OR B. Shenfeld 2-20-70 CHK E.J.F. 3-5-70 DE APP E.J.F. 3-5-70		MATERIAL AND FINISH + + + WIRE - RANGE - INSULATION 18-16 + + + TOLERANCE EXCEPT AS NOTED ± .015 = 1" 0' 4-1		CUSTOMER COPY REFERENCE ONLY AMP AMP INCORPORATED HARRISBURG, PENNA. USED ON 69875 TYPE "C" - EC NO. 69973 NAME	

DIMENSIONS IN INCHES. DO NOT SCALE PRINT

LTR	REVISION RECORD	ECH	DATE
B	SUPD BY 1.S. 2254	EJF	3-23-70
A	REVISED		3-7-70