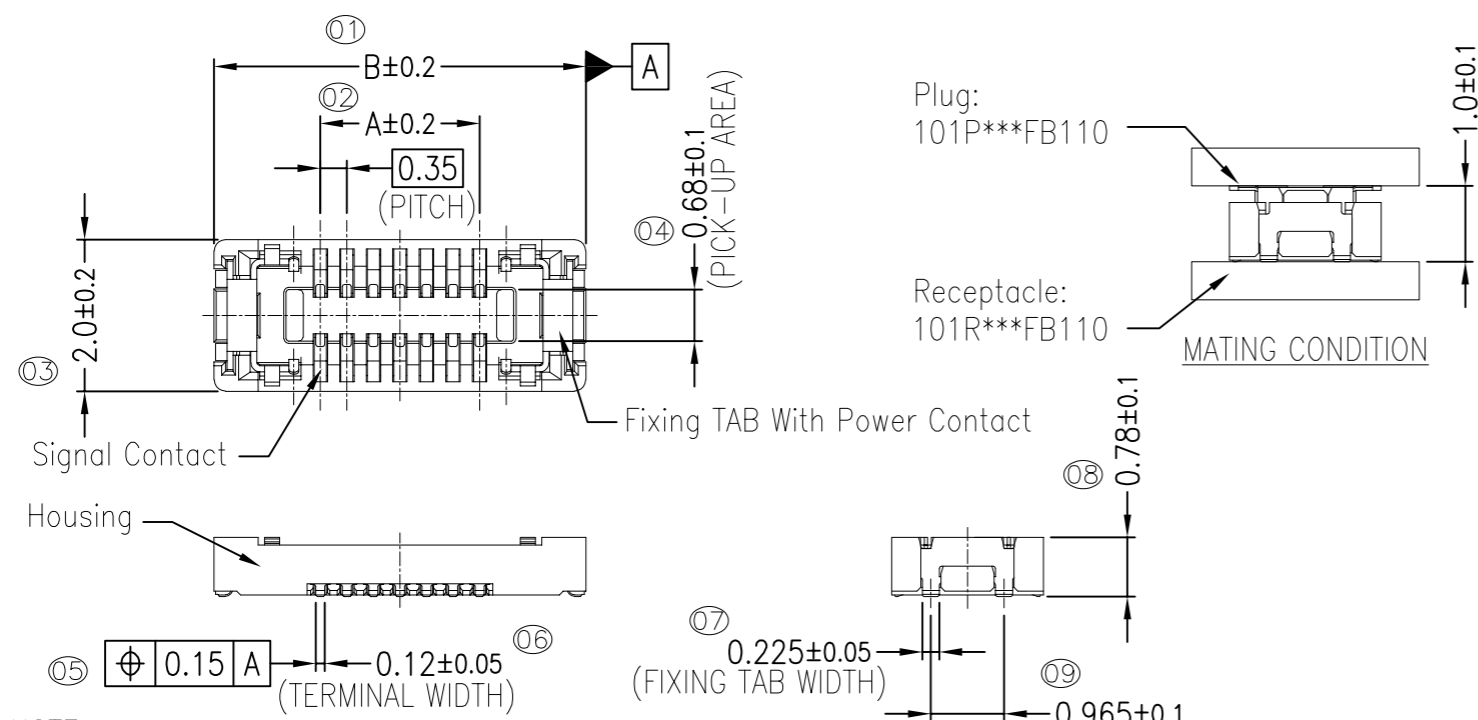
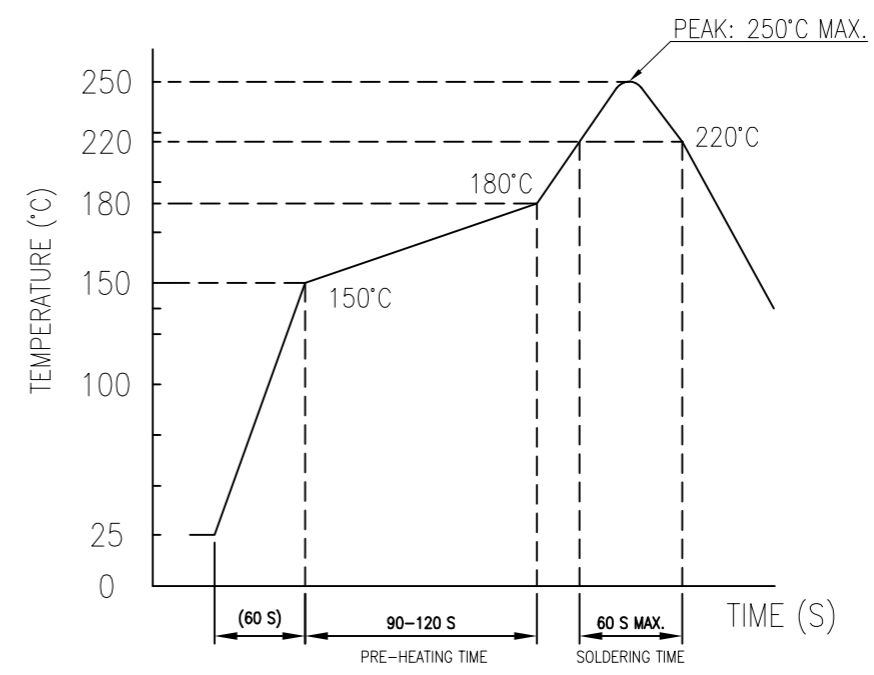


| REV. | ECR/ECN No. | DESCRIPTION | DRAWN/DATE          | CHECKED/DATE  | APPROVED/DATE |
|------|-------------|-------------|---------------------|---------------|---------------|
| X1   |             | NEW RELEASE | Hanson<br>07/24/'19 | Sam 07/24/'19 | Leo 07/24/'19 |

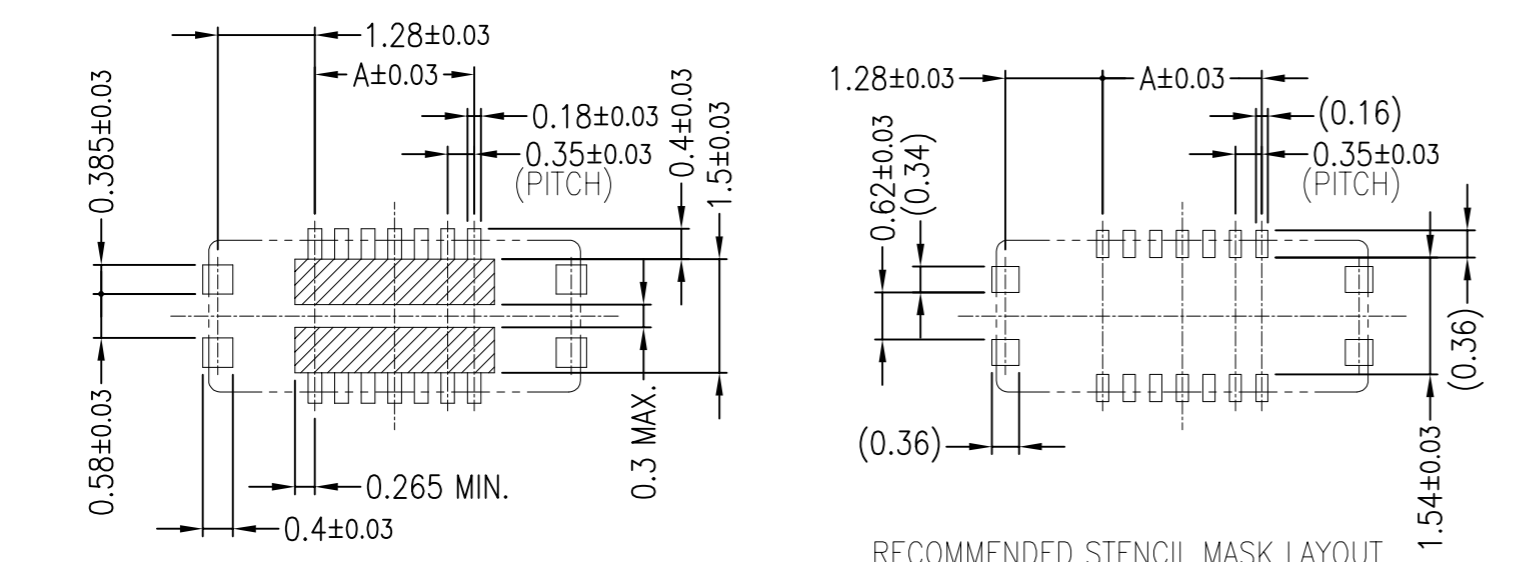


8. RECOMMENDED REFLOW TEMPERATURE PROFILE USING LEAD-FREE SOLDER PASTE.



- NOTE
- MATERIALS  
HOUSING : LCP UL94-V0 (COLOR BLACK)  
SIGNAL CONTACT : COPPER ALLOY  
FIXING TAB : COPPER ALLOY
  - PLATING  
SIGNAL CONTACT : Au FLASH OVER Ni UNDER PLATING (Ni BARRIER, LUBRICANT)  
FIXING TAB : Au FLASH OVER Ni UNDER PLATING (ONLY CONTACT AND TAIL AREA)
  - MATE WITH: 101P\*\*\*FB110
  - CO-PLANARITY FOR SIGNAL CONTACT TERMINALS AND FIXING TAB MUST BE 0.08mm MAX.
  - THIS PRODUCT MEETS RoHS AND SONY SS-00259.
  - THE HOUSING WILL WITHSTAND EXPOSURE TO 260°C PEAK TEMPERATURE FOR 10SECONDS IN A REFLOW SOLDERING OVEN.
  - THE DOCUMENT MAY BE CHANGED WITHOUT PRIOR NOTICE.

|    |      |      |              |        |
|----|------|------|--------------|--------|
| 16 | 5.95 | 3.15 | 101R020FB110 | 20 pin |
| 16 | 4.90 | 2.10 | 101R014FB110 | 14 pin |
| 16 | 4.55 | 1.75 | 101R012FB110 | 12 pin |
| 16 | 4.20 | 1.40 | 101R010FB110 | 10 pin |
| 16 | 3.50 | 0.70 | 101R006FB110 | 6 pin  |
| C  | B    | A    | Part Number  | Pos.   |



RECOMMENDED P.W.B. PATTERN LAYOUT  
HATCHING AREA : PATTERN AND SOLDER PROHIBITED AREA

RECOMMENDED STENCIL MASK LAYOUT  
RECOMMENDED STENCIL THICKNESS : T=0.08MM  
RECOMMENDED STENCIL OPENING RATIO : 80%.

| UNLESS OTHERWISE SPECIFIED TOLERANCES |           | ANGLE OF PROJECTION |       | Amphenol AORORA                                                                                   |                        |
|---------------------------------------|-----------|---------------------|-------|---------------------------------------------------------------------------------------------------|------------------------|
| X.                                    | ±0.30     | X. °                | ± 3'  | Amphenol Aorora Technology (Huizhou) Co.,Ltd                                                      |                        |
| X.X                                   | ±0.25     | X.X °               | ± 2'  |                                                                                                   |                        |
| X.XX                                  | ±0.20     | X.XX °              | ± 1'  | TITLE:<br>Customer Drawing For 0.35mm Pitch SH=1.0mm BTB Connector 101 Series Receptacle Assembly |                        |
| X.XXX                                 | ±0.15     | X.XXX °             | ± 1'  | DRAWN DATE Hanson 2019-07-24                                                                      |                        |
| LINEAR DIMS                           |           | ANGLES DIMS         |       | DESIGN DATE Sam 2019-07-24                                                                        |                        |
| DWG NO.:                              | A-S0547   |                     |       | CHECKED DATE Sam 2019-07-24                                                                       |                        |
| MATERIAL                              | SEE NOTES |                     |       | APPROVED DATE Leo 2019-07-24                                                                      |                        |
| FINISHED                              | SEE NOTES |                     |       | SIZE                                                                                              | PART NUMBER: X1        |
|                                       |           |                     | SCALE | 10:1                                                                                              | UNIT : mm SHEET 1 OF 2 |

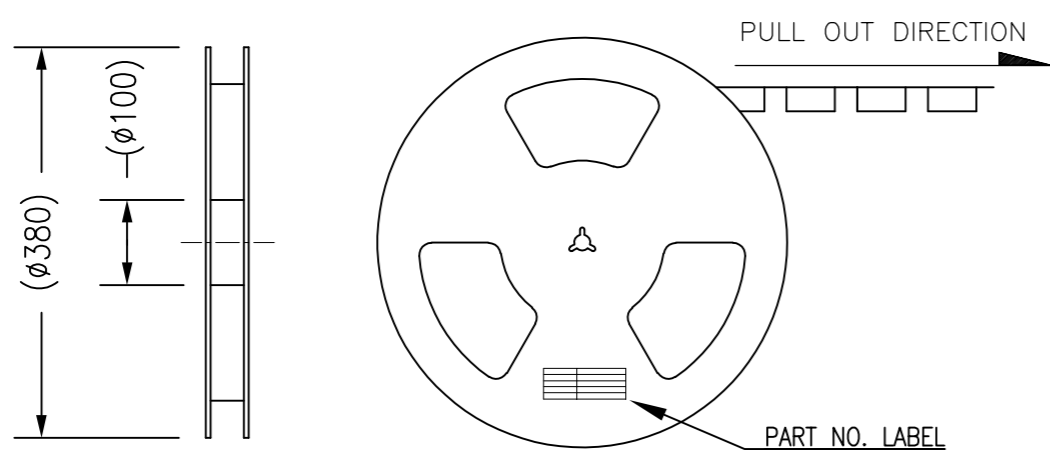
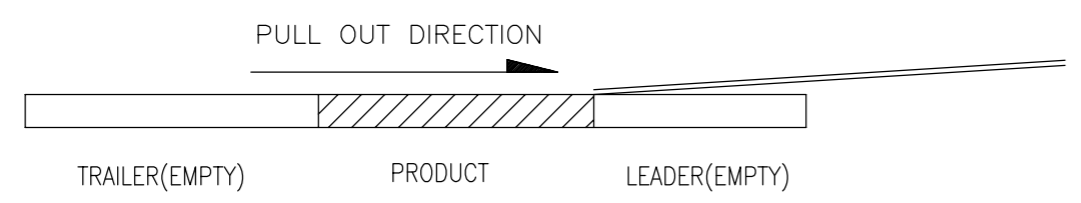
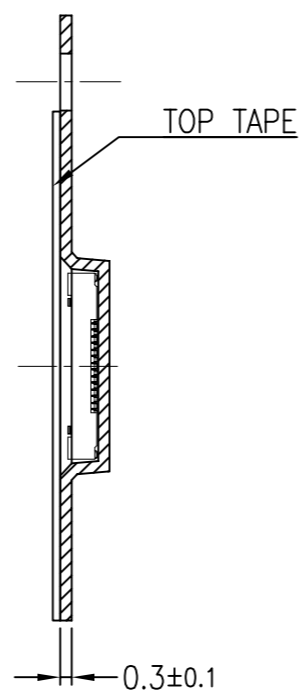
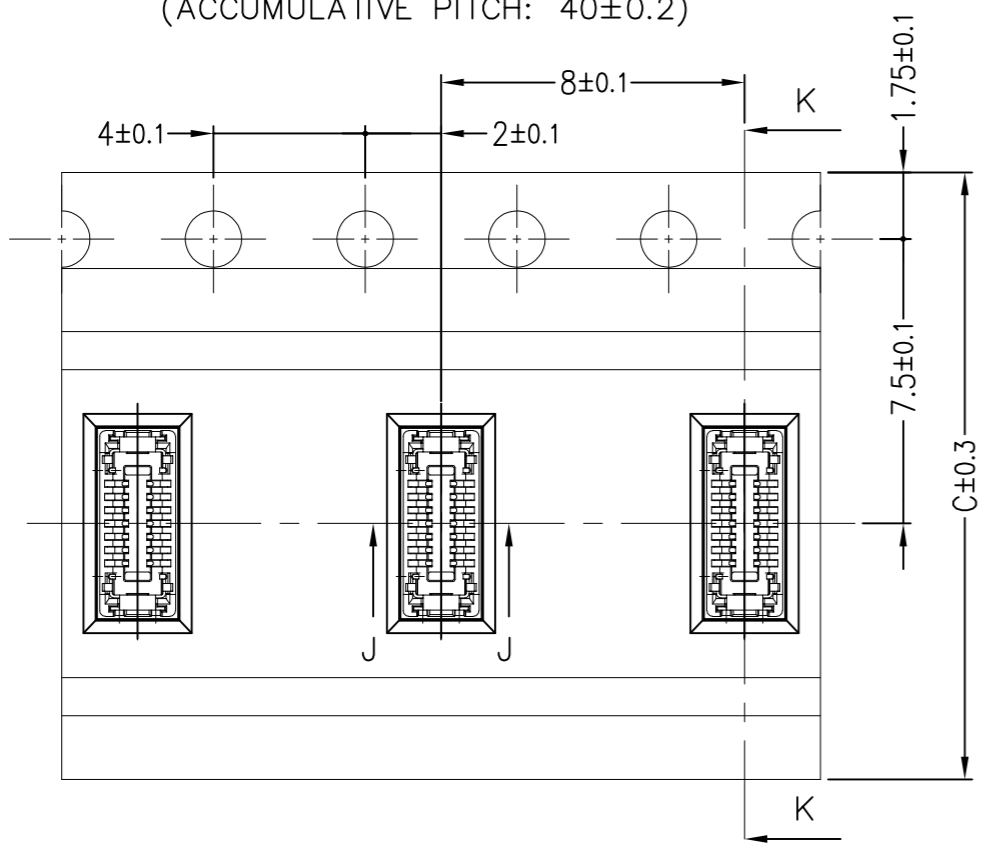


This document is the property of and embodies CONFIDENTIAL and PROPRIETARY information of AOR. No part of the information shown on this document may be used in any way or disclosed to others without the written consent of AOR. © 2019 AOR

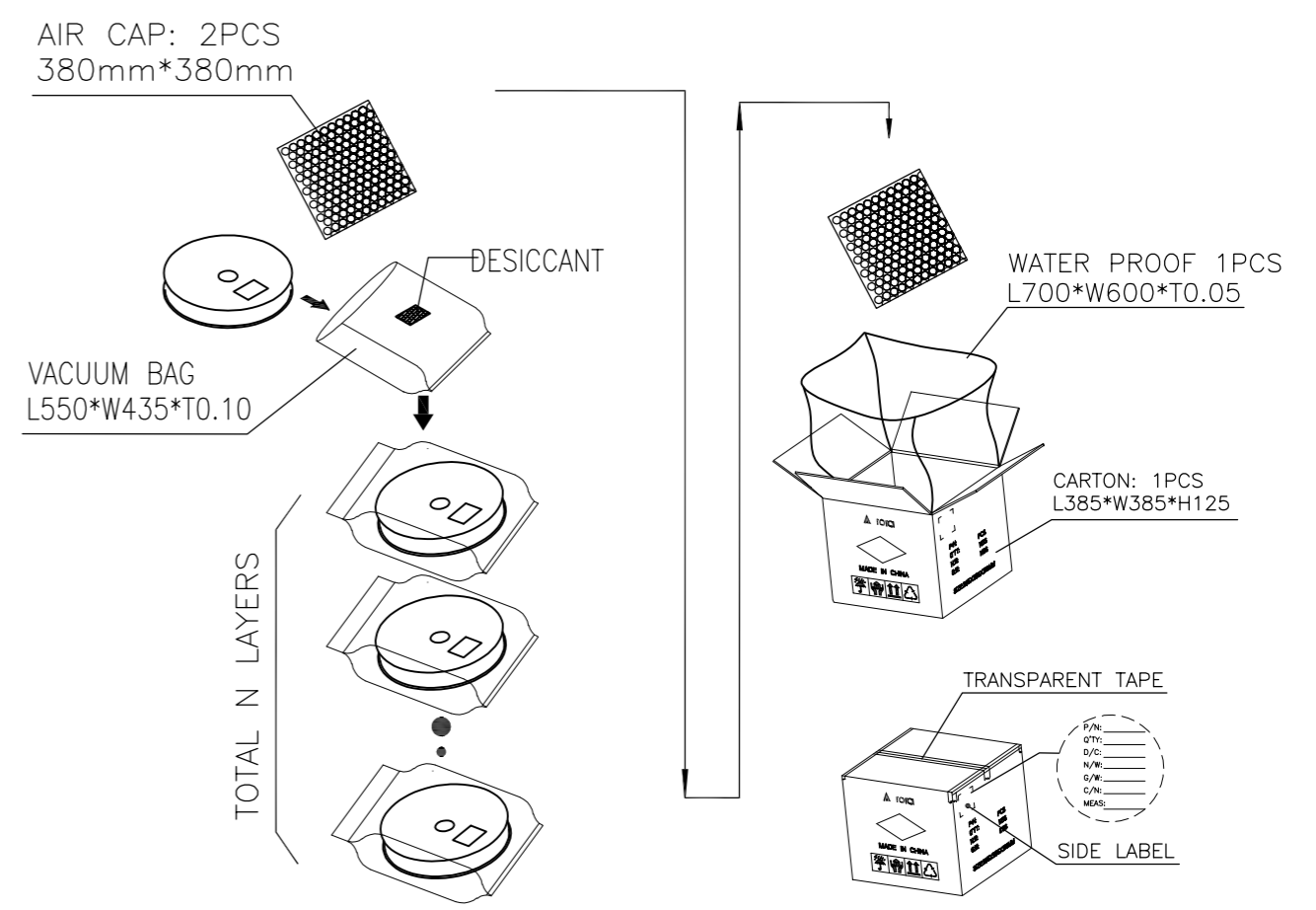
This document is the property of and embodies CONFIDENTIAL and PROPRIETARY information of AOR. No part of the information shown on this document may be used in any way or disclosed to others without the written consent of AOR. © 2019 AOR



(ACCUMULATIVE PITCH:  $40 \pm 0.2$ )



| REV. | ECR/ECN No. | DESCRIPTION | DRAWN/DATE          | CHECKED/DATE  | APPROVED/DATE |
|------|-------------|-------------|---------------------|---------------|---------------|
| X1   |             | NEW RELEASE | Hanson<br>07/24/'19 | Sam 07/24/'19 | Leo 07/24/'19 |



- NOTES:  
 1. MATERIAL:  
 1.1 CARRIER TAPE: HIPS, T=0.3, CLEAR;  
 1.2 REEL: HIPS BLUE;  
 1.3 SHIM: PE, CLEAR;  
 2. PRIMARY PACKING: 8000PCS/REEL;  
 3. SECONDARY PACKING: "5" REELS/CARTON;  
 ("40000"=5\*15000/CARTON)  
 4. PEELING FORCE: 0.1N~0.7N (10~70gf);  
 PEELING ANGLE: 165°~180°;  
 PEELING SPEED: 300mm/minutes.

| UNLESS OTHERWISE SPECIFIED TOLERANCES |       |                     |      | ANGLE OF PROJECTION           |                               | Amphenol AORORA                                                                                |                           |
|---------------------------------------|-------|---------------------|------|-------------------------------|-------------------------------|------------------------------------------------------------------------------------------------|---------------------------|
| X.                                    | ±0.30 | X. °                | ± 5' |                               |                               | Amphenol Aorora Technology (Huizhou) Co.,Ltd                                                   |                           |
| X.X                                   | ±0.25 | X.X °               | ± 4' |                               |                               |                                                                                                |                           |
| X.XX                                  | ±0.20 | X.XX °              | ± 3' | DOC TYPE: Emboss Package      |                               | TITLE: Customer Drawing For 0.35mm Pitch SH=1.0mm BTB Connector 101 Series Receptacle Assembly |                           |
| X.XXX                                 | ±0.15 | X.XXX °             | ± 2' | DRAWN DATE: Hanson 2019-07-24 | DESIGN DATE: Sam 2019-07-24   | SIZE: A3                                                                                       | PART NUMBER: 101R014FB110 |
| LINEAR DIMS                           |       | ANGLES DIMS         |      | CHECKED DATE: Sam 2019-07-24  | APPROVED DATE: Leo 2019-07-24 | SCALE: 1:1                                                                                     | UNIT: mm                  |
| DWG NO.: A-S0547                      |       | MATERIAL: SEE NOTES |      | FINISHED: SEE NOTES           |                               | SHEET 2 OF 2                                                                                   | REV. X1                   |