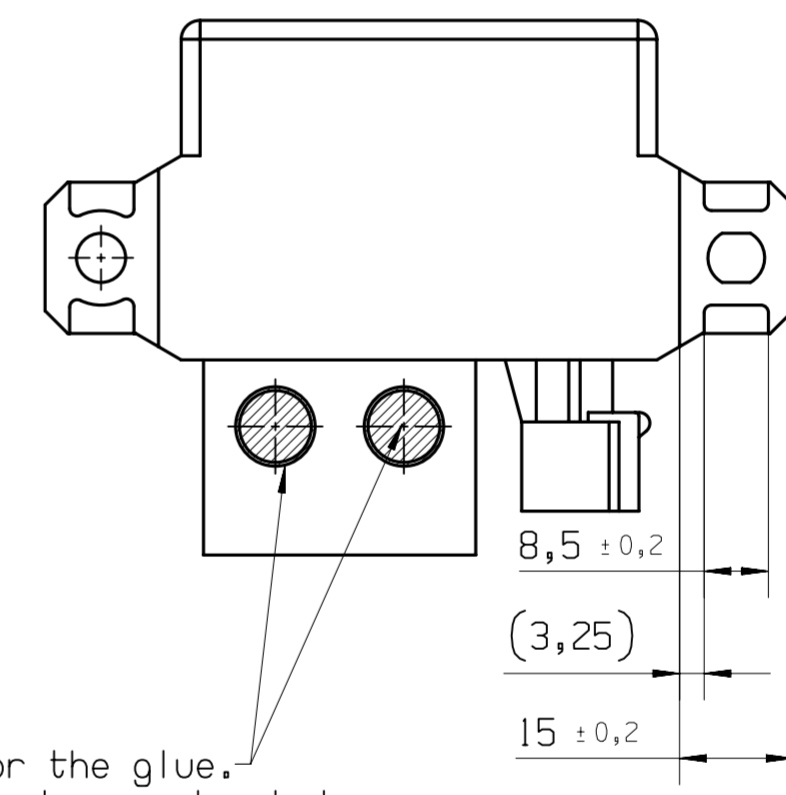
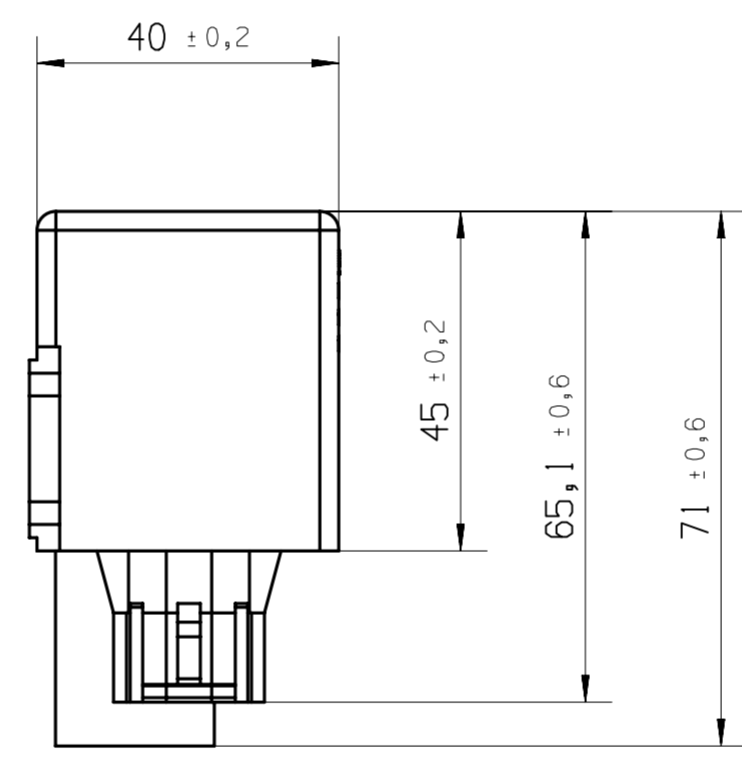
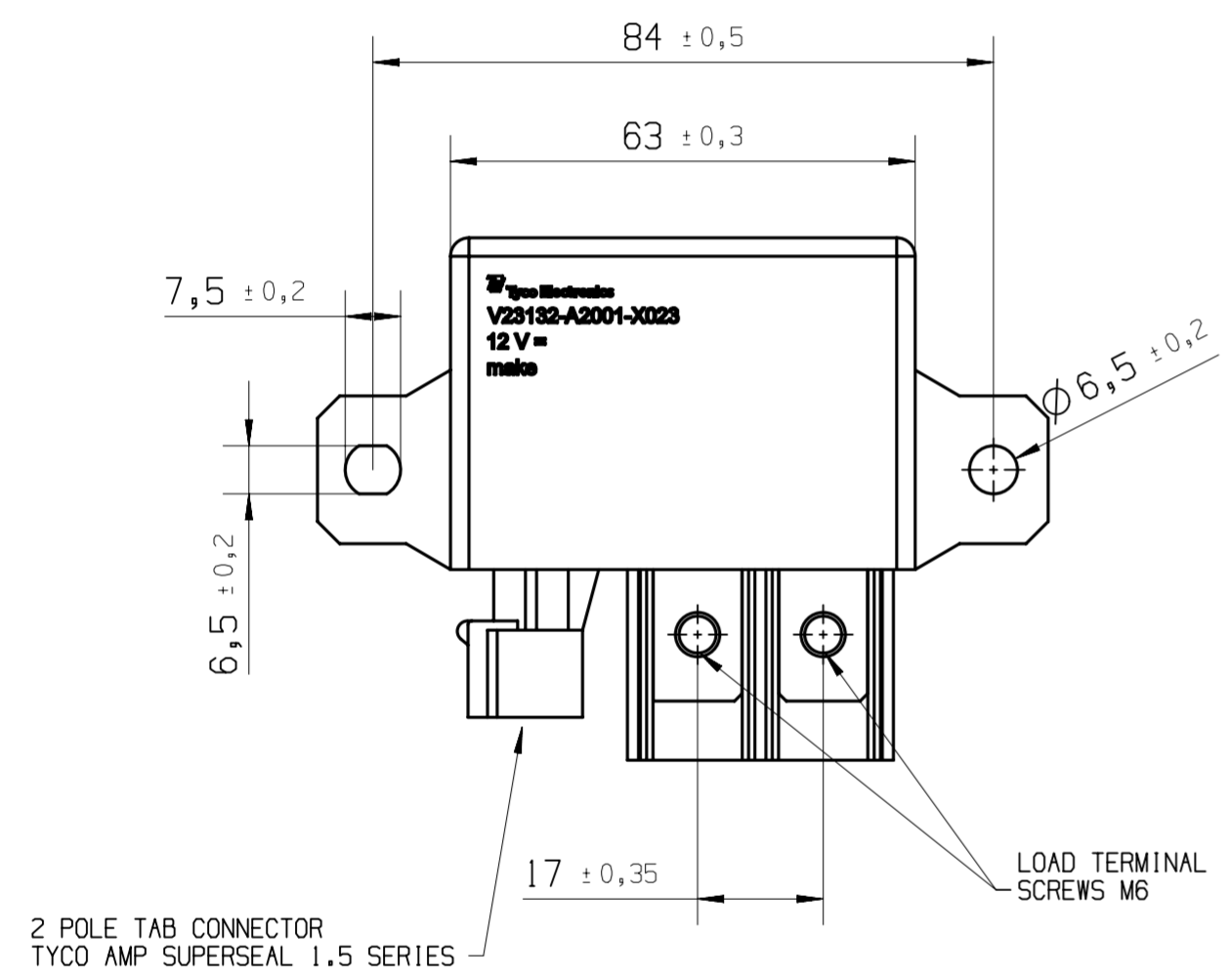
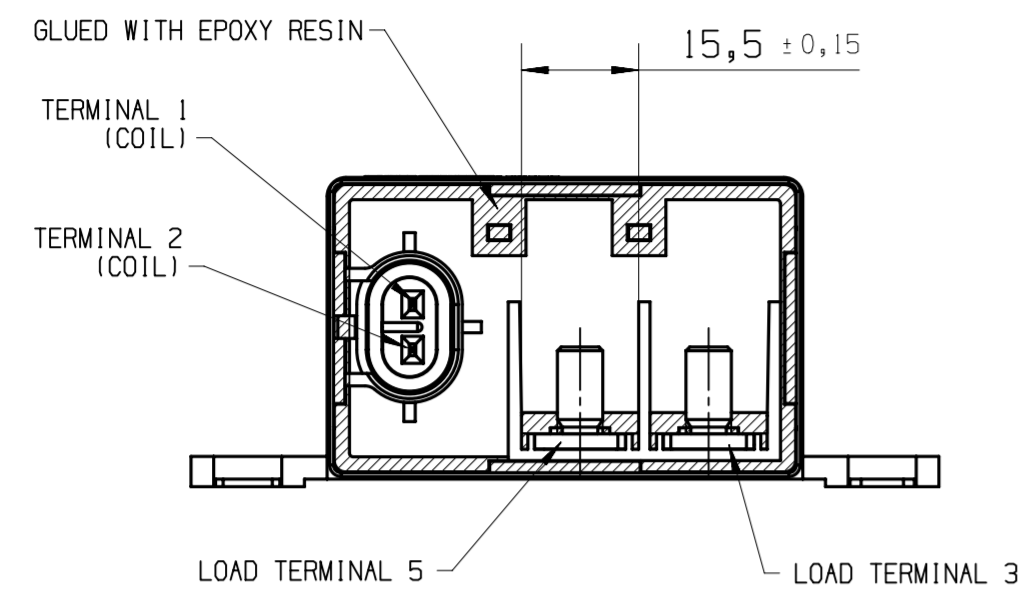
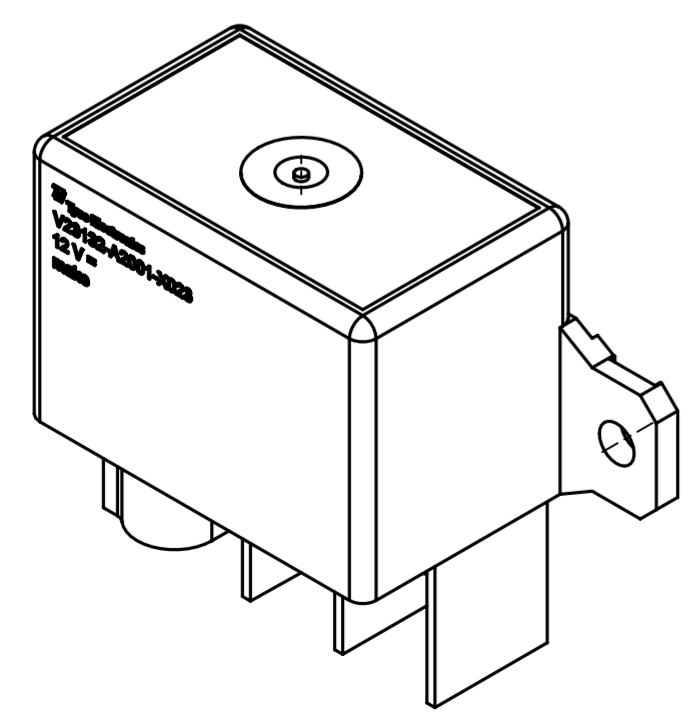


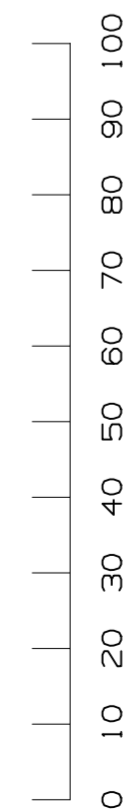
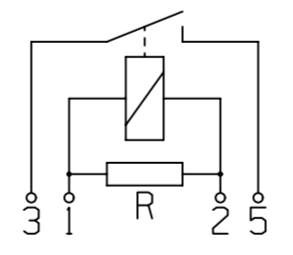
PART	MATERIAL	COLOUR
COVER	PA 66 GF 25	BLACK
BASE	PA 66 GF 25	BLACK
COIL TERMINAL 1	CuSn	Sn
COIL TERMINAL 2	CuSn	Sn
LOAD TERMINAL 3	ECu	Sn
LOAD TERMINAL 5	ECu	Sn
CONTACTS	AgSnO <sub>2</sub>	
STUD	St	ZnNi chromated with Cr3



Deposit areas for the glue.  
Load terminals and screw heads have to be completely covered by glue.



CIRCUIT DIAGRAM



TE P/N				REV	PART NUMBER	
1-1414476-0				0	V23132-A2001-X023	
<small>PROPRIETARY</small> THE REPRODUCTION, TRANSMISSION OR USE OF THIS DOCUMENT OR IT'S CONTENTS IS NOT PERMITTED WITHOUT EXPRESSED WRITTEN AUTHORITY. OFFENDERS WILL BE LIABLE FOR ALL DAMAGES. ALL RIGHTS, INCLUDING RIGHTS CREATED BY REGISTERED PATENT(S) GRANTED FOR A UTILITY MODEL OR DESIGN, ARE RESERVED.				CHANGES TO THIS DRAWING MUST BE DONE ONLY IN CAD		<small>PAPER SIZE</small> <b>A2</b>
<small>APPLICABLE SPEC.:</small>				<small>FINISH</small>		
<small>TOLERANCE UNLESS SPECIFIED OTHERWISE</small>				<small>DIMENSIONS APPLY</small>		<small>PLATING</small>
<small>DIMENSIONS IN MM</small>				<small>SCALE</small> <b>1:1</b>		<small>WEIGHT</small>
<small>DATE</small>				<small>MATERIAL</small>		
<small>DWN.</small> 11JUN2010 A.PEREIRA				<small>PART NAME</small>		
<small>APP.</small>				<b>N/O HCR150 12V</b>		
<small>REV.</small>				<small>DWG NO.</small>		
<small>LOCATION</small> AMR PE EVORA						<small>SHT.</small>
<small>A</small> INITIAL RELEASE 25NOV2013 APER				<b>V23132-A2001-X023</b>		<b>1</b>
<small>51</small> INITIAL VERSION 11JUN2010 APER				<small>CUSTOMER DRAWING</small>		<small>OF 1</small>
<small>REV.</small> CHANGE ORDER DATE APP.						