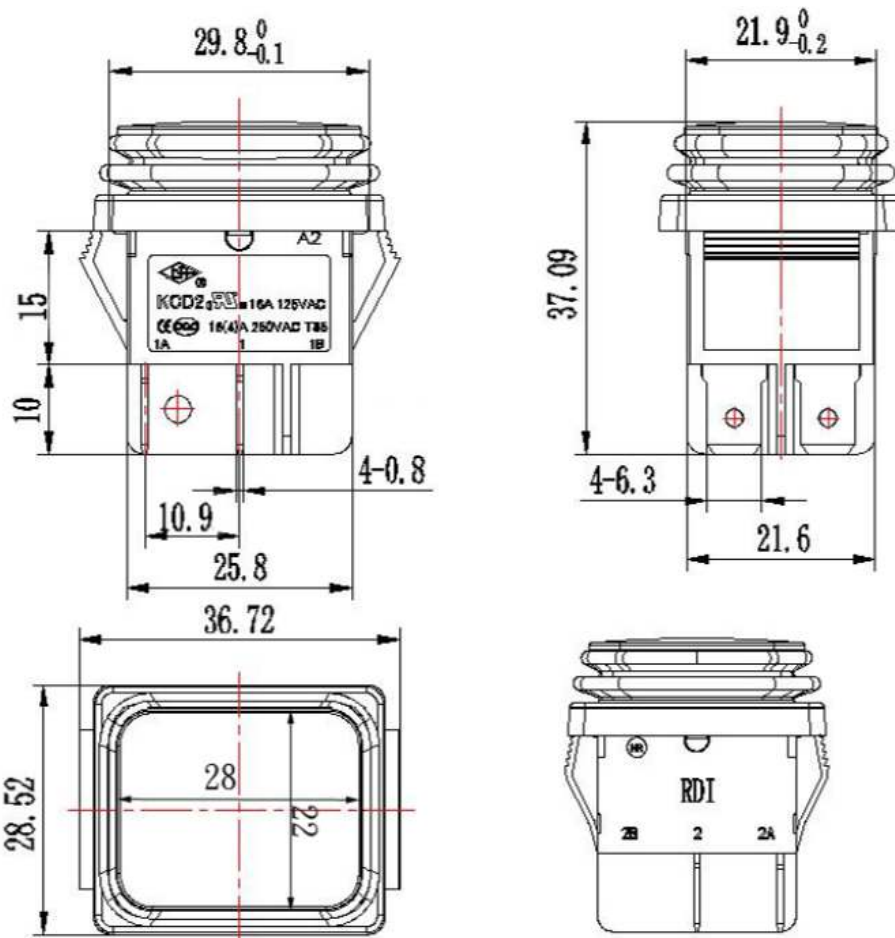


Undeclared tolerance ±0.2 mm



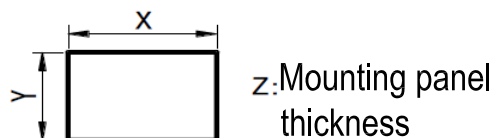
**Product Appearance:**

1. Surface clean, no crack、 blister and mechanical damage.
2. Coating without the phenomenon of layer and dropping.
3. Mark is correct and clear.
4. Product appearance size conforms to outside drawing.

**Technical Parameter**

Product appearance size: Attached, product outside dimension.  
 Rated range: 16(4) 250VAC  
 Product certification: CQC、CE、UL、ENEC17、CB  
 Contact resistance: ≤50mΩ  
 Insulation resistance: ≥1000MΩ  
 Compression strength: 1500VAC(50Hz, 1Min)  
 Ambient temperature: -25℃ ~ +85℃  
 Relative humidity: <95%  
 Electrical life: 10000 Times (Cycles)  
 Environmental requirement: ROHS  
 Flame retardant requirement: UL94-V2  
 Protection grade: IP65  
 Operating force: 2N ~ 8N  
 Terminal insertion and drawing force: ≥80N  
 Soldering: Soldering temperature ≤320℃ ; Soldering time ≤3s

**Mounting Size :**



Z	X	Y
0.75~1.25	30.0 <sup>+0.10</sup> <sub>0</sub>	22.0 <sup>+0.10</sup> <sub>0</sub>
1.25~2.00	30.6 <sup>+0.10</sup> <sub>0</sub>	22.0 <sup>+0.10</sup> <sub>0</sub>
2.00~3.00	31.0 <sup>+0.10</sup> <sub>0</sub>	22.0 <sup>+0.10</sup> <sub>0</sub>

**Circuit :**

Code	Schema	Description
21	ON - OFF 	Two-stage single throw

NOTE: ALL DIMS ARE IN mm

PROJECTION		TITLE			
		Research Develop Innovate			
		RDI, Inc. 333 North Bedford Road, Suite 135, Mount Kisco, NY 10549			
SCALE	N/A	Waterproof rocker switch, DPST, 16A/125/250VAC, IP65 rated, RoHS Compliant			
TOLERANCE UNLESS NOTED	DR. Tina	DATE 11/29/21	REF. PART NO. KCD2-21-F2A2A-BB01-NL	SHEET 1 OF 1	
.X ±1.000	CK. BM	PRE-SW	DRAWING NO. 5241	SIZE A	REV. A_1
.XX ±0.150	THIS DOCUMENT IS OWNED BY, AND THE INFORMATION CONTAINED IN IT IS PROPRIETARY TO, RDI, BY RECEIPT HEREOF THE HOLDER AGREES NOT TO USE THE INFORMATION AND NOT TO DISCLOSE IT TO ANY THIRD PARTY, NOR REPRODUCE THIS DOCUMENT WITHOUT THE WRITTEN CONSENT OF RDI, AND AGREES TO RETURN THIS DOCUMENT FORTHWITH UPON REQUEST.				
.XXX ±0.005	ANG. ± 3°				
.XXXX ±0.005					

21-078	12/02/21	A	CHANGED THE PRODUCT DRAWING	BM	TL
ECN#	DATE	SYM	REVISION RECORD	AUTH	BY