

10135261 - 10X LF

LEAD-FREE DESIGNATION
ONLY WITH APPLICABLE
PLATING CODES

SEE NOTE 2

MODULE
DESCRIPTION

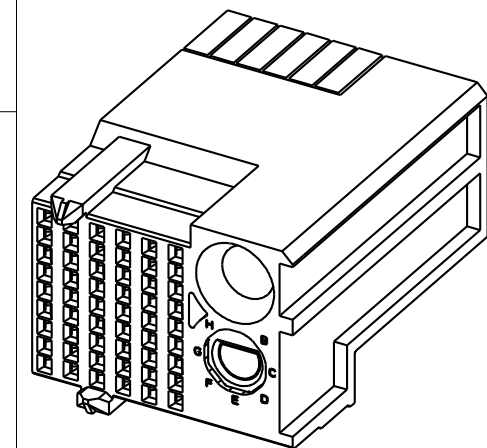
LETTER DESIGNATION REPRESENTED IN DASH NUMBER

BASE
MODULE

RIGHT
POLARIZING
GUIDANCE
MODULE
(SEE SHEET 3)

NO KEY
NO GUIDE PIN

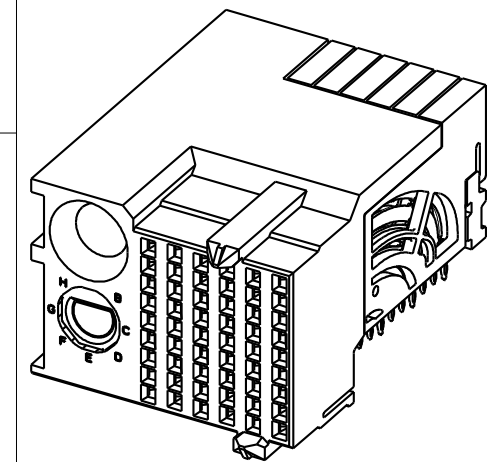
N	J (NO KEY)	A	B	C	D	E	F	G	H



LEFT
POLARIZING
GUIDANCE
MODULE
(SEE SHEET 2)

NO KEY
NO GUIDE PIN

Z	Y (NO KEY)	P	Q	R	S	T	U	V	W

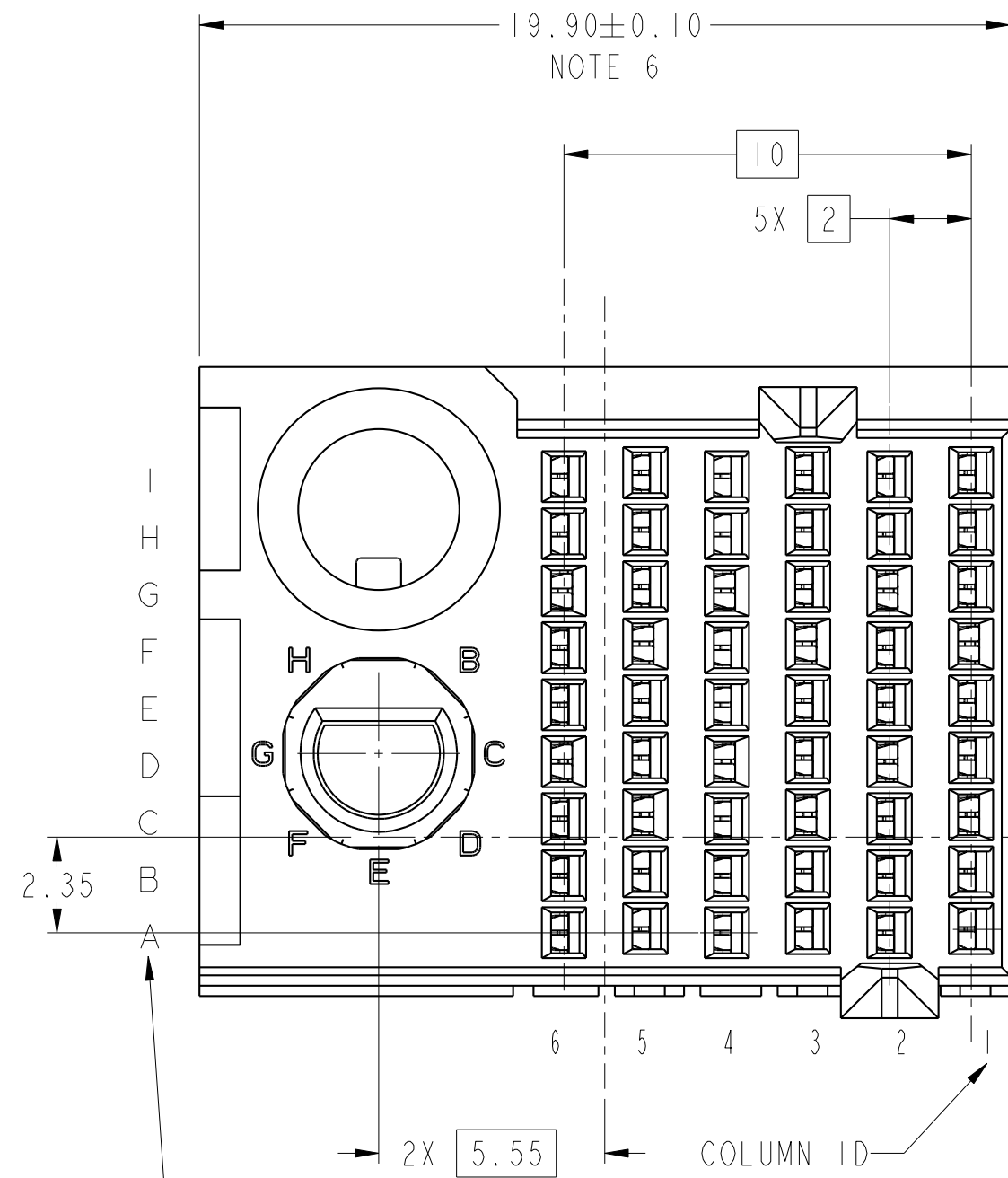


spec ref	---	dr	Jeny Ren	2015/05/15	projection	MM	size	A2	scale	8:1		
tolerance std	ASME Y14.5M	eng	Terry Luo	2019/03/11			ecn no	ELX-DG-32840-1				
TOLERANCES UNLESS OTHERWISE SPECIFIED		chr	-	appr			Heaven Cen	2019/03/13	product family	AirMax VS2	rel level	Released
surface	-			Amphenol FCI			title	AIRMAX VS2 R.A. RECEPTACLE ASS'Y, 3 PAIR, 54 POS, 6 IMLA, 20MM, W/GUIDE/KEY		dng no 10135261	rev C	
		linear	0.X	±.3			cat. no.	-	Product - Customer Drw	sheet 1 of 4		
			0.XX	±.15								
			0.XXX	±.050								
		angular	0°	±°								

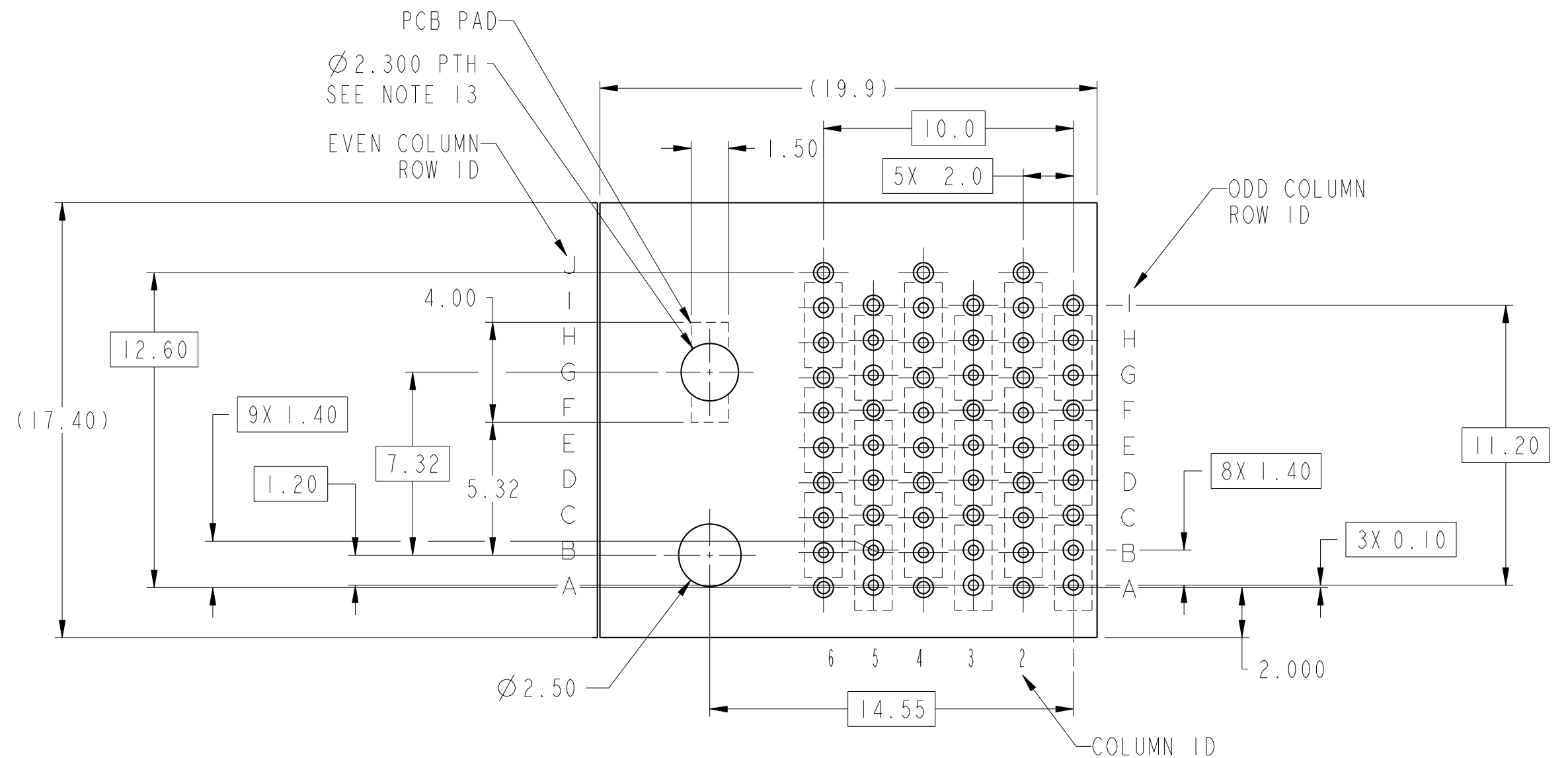
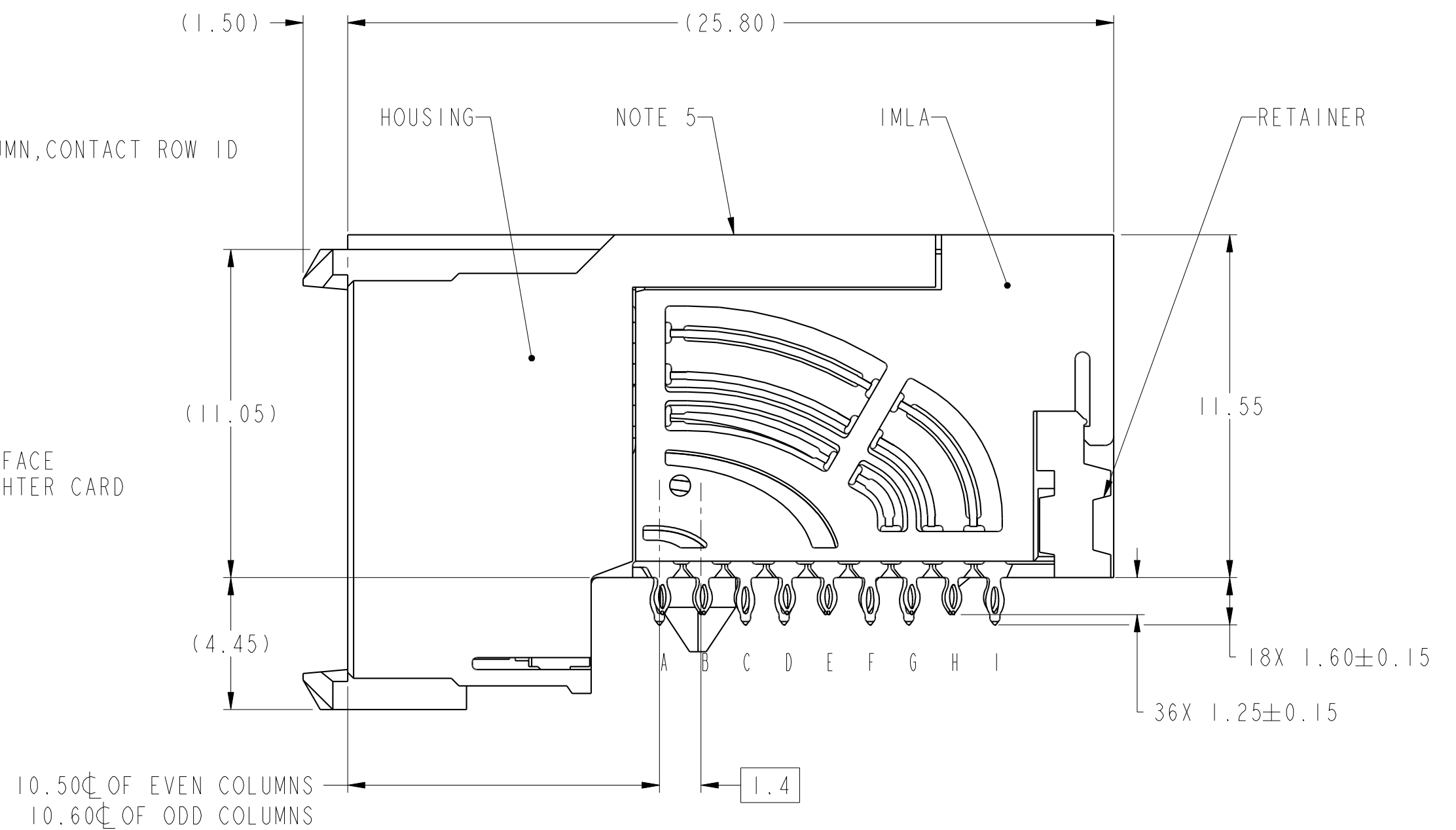
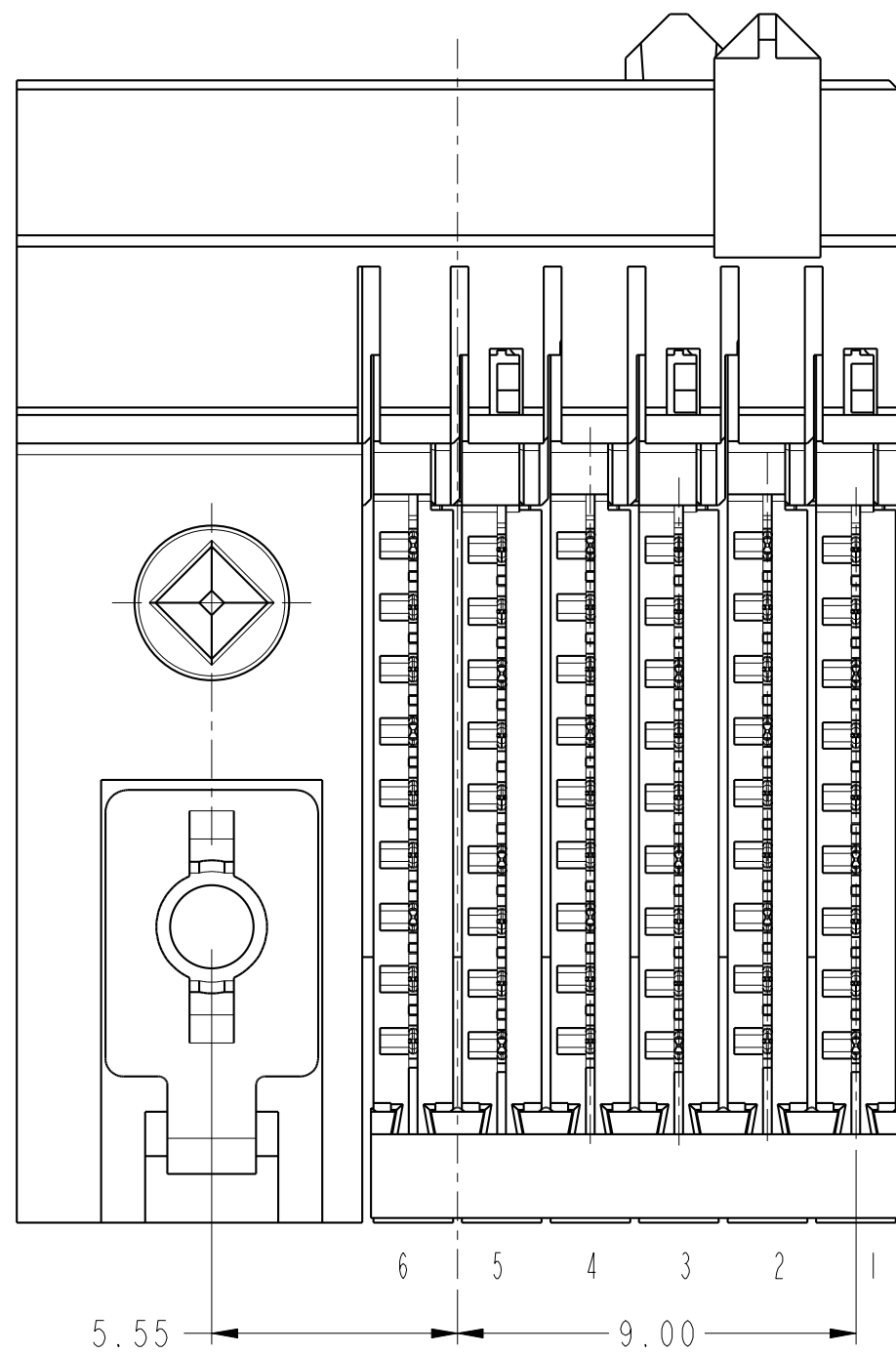
Amphenol
FCI

© 2016 AFCl

LEFT POLARIZATION WITH GUIDE



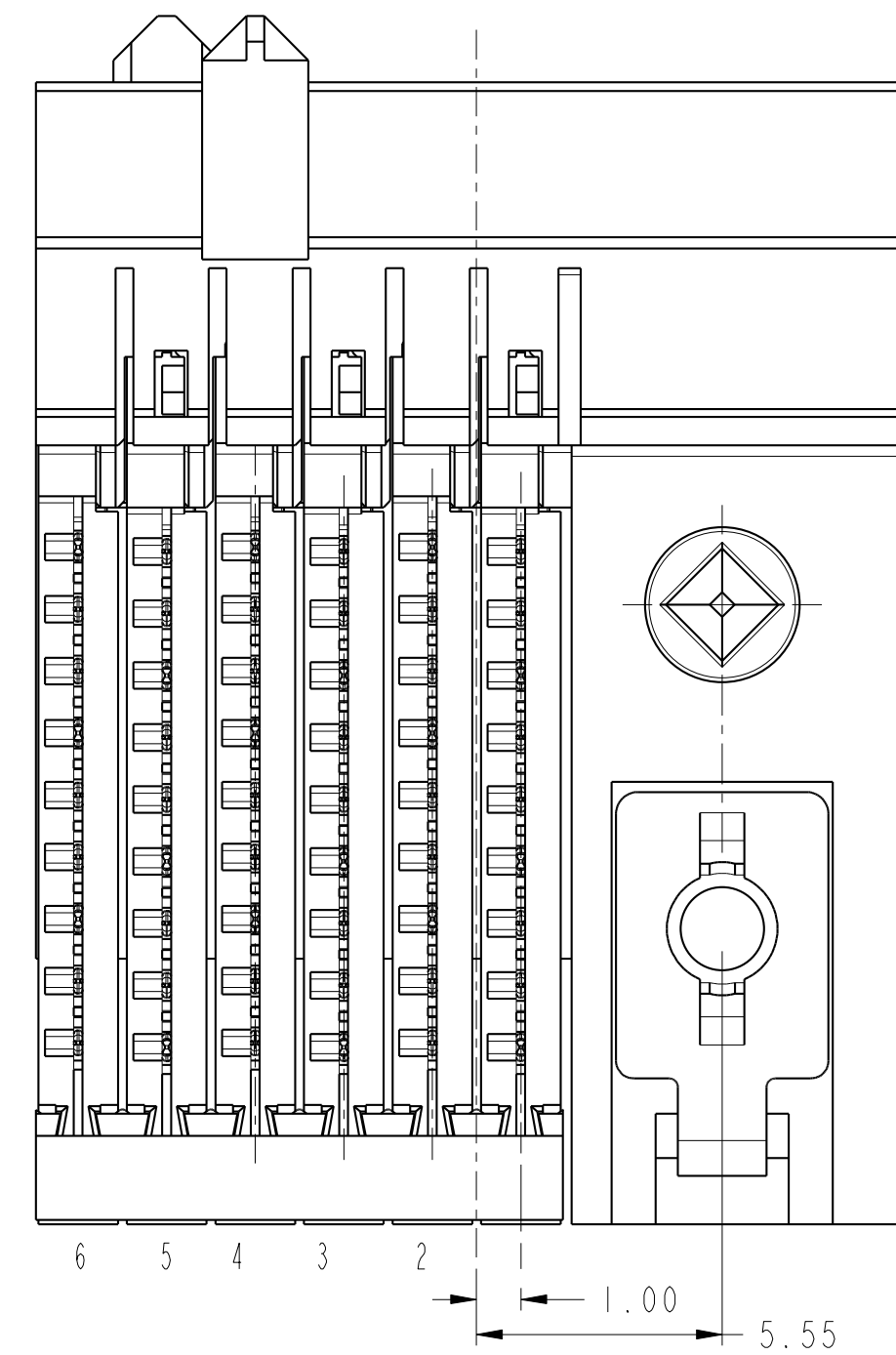
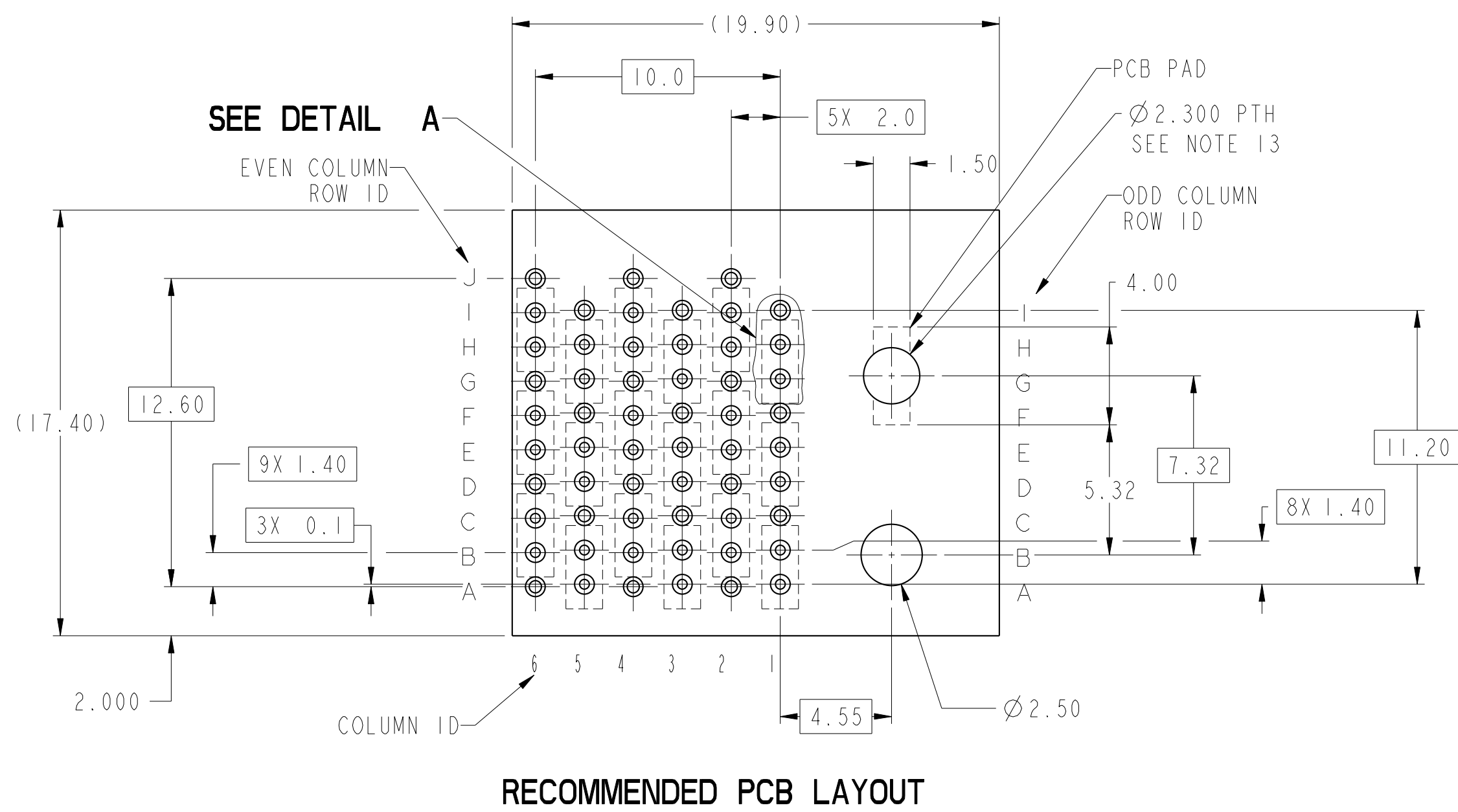
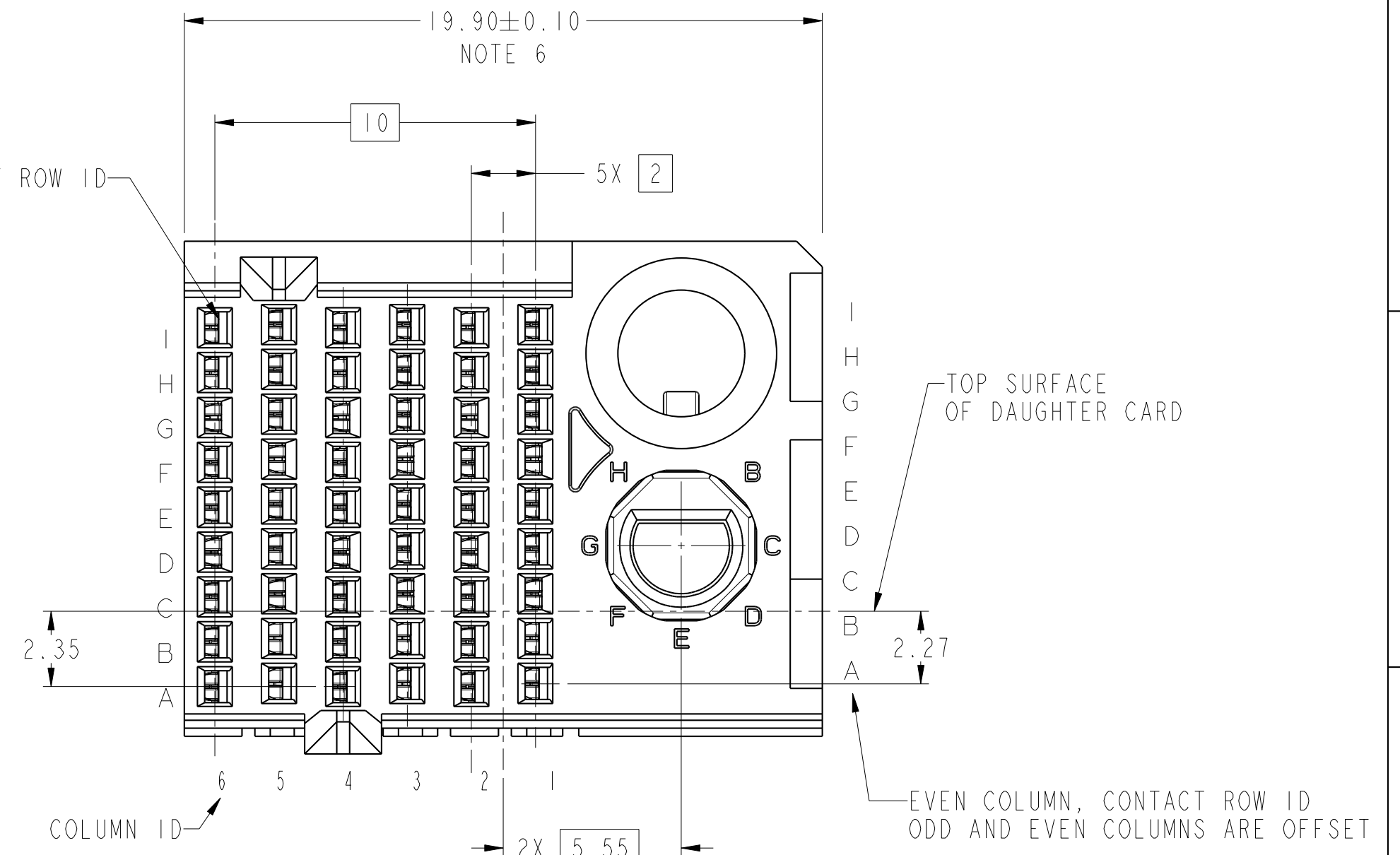
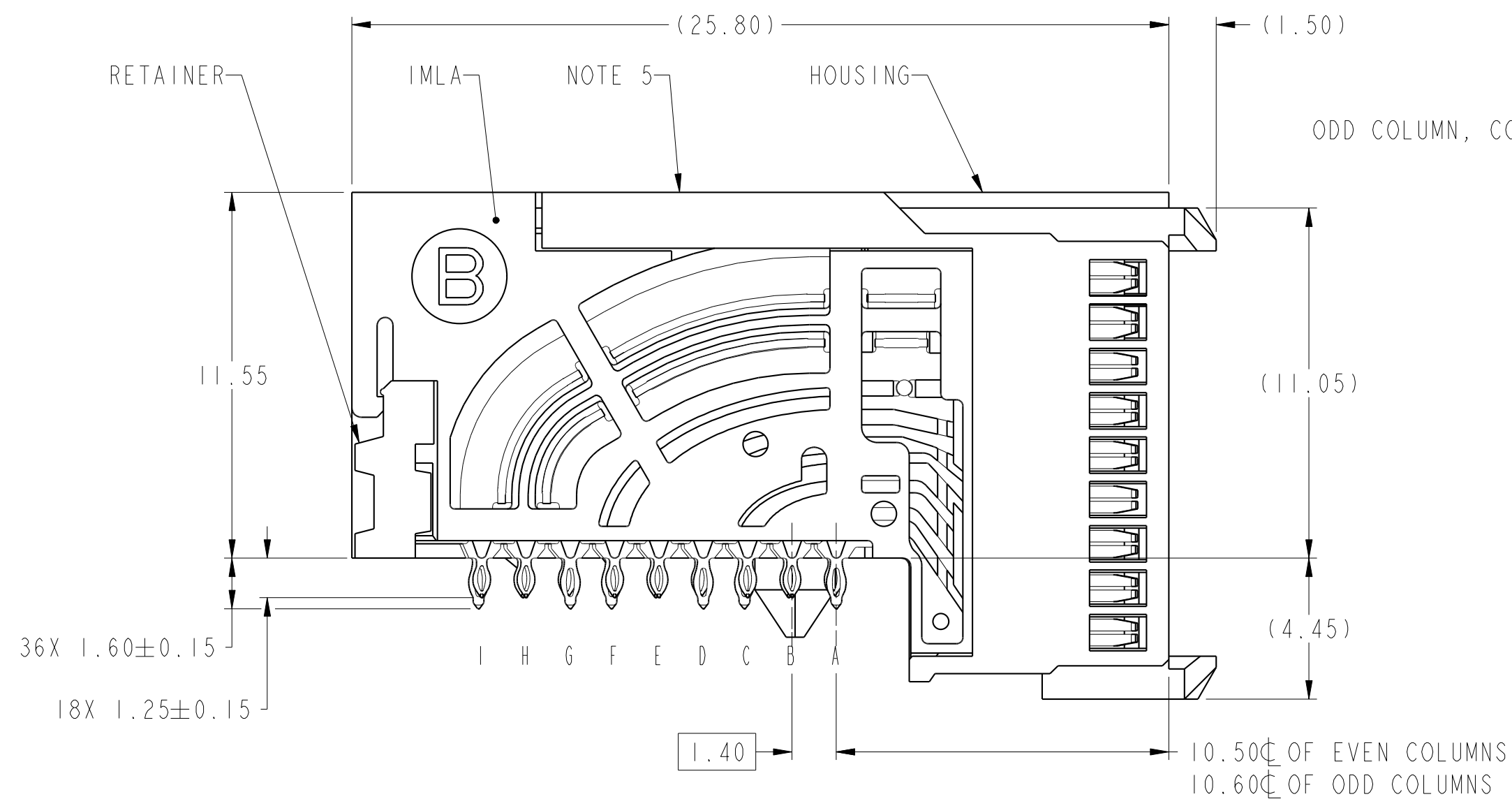
EVEN COLUMN, CONTACT ROW ID
ODD AND EVEN COLUMNS ARE OFFSET



RECOMMENDED PCB LAYOUT

spec ref	---	dr	Jeny Ren	2015/05/15	projection	MM	size	A2	scale	6:1
tolerance std	ASME Y14.5M	eng	Terry Luo	2019/03/11	chr	-	ecn no	ELX-DG-32840-1	rel level	Released
TOLERANCES UNLESS OTHERWISE SPECIFIED		appr	Heaven Cen	2019/03/13	product family	AirMax VS2	rel level	Released	cat. no.	Product - Customer Drw
surface	linear	0.X	±.3	Amphenol FCi	AIRMAX VS2 R.A. RECEPTACLE		10135261	rev	C	
		0.XX	±.15		ASS'Y, 3 PAIR, 54 POS, 6 IMLA, 20MM, W/GUIDE/KEY					
		0.XXX	±.050							
	angular	0°	±°							

RIGHT POLARIZATION WITH GUIDE



RECOMMENDED PCB LAYOUT

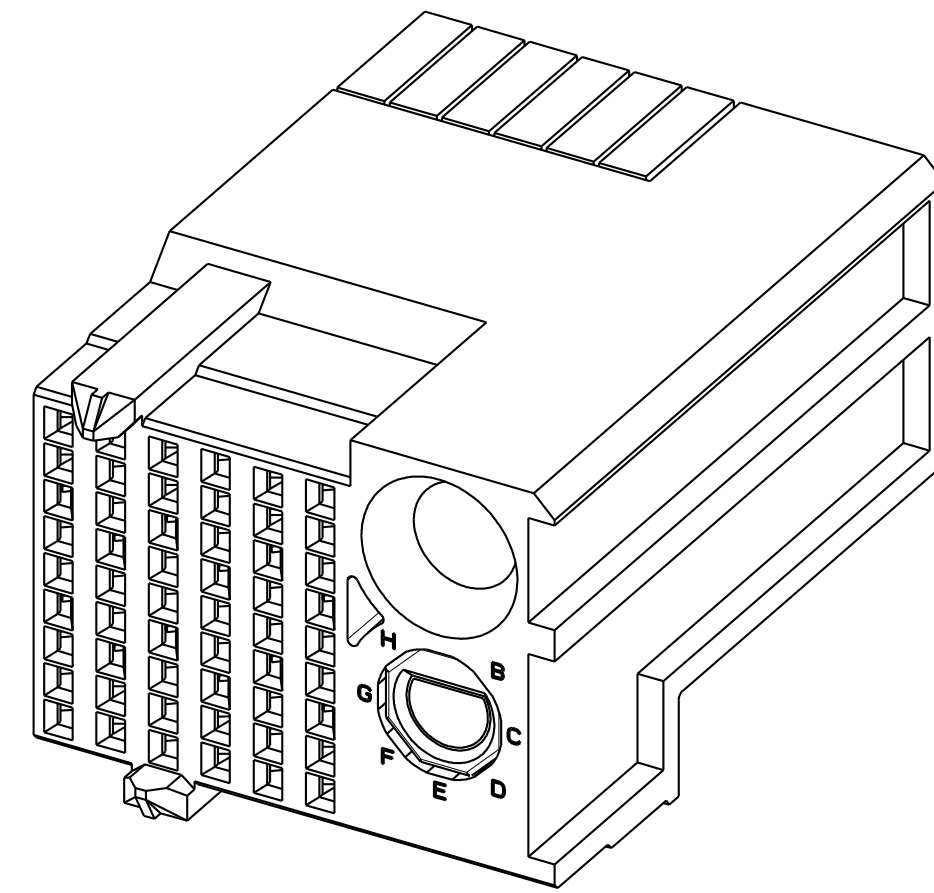
spec ref	---	dr	Jeny Ren	2015/05/15	projection	MM	size	A2	scale	8:1	
tolerance std	ASME Y14.5M	eng	Terry Luo	2019/03/11			ecn no	ELX-DG-32840-1			
TOLERANCES UNLESS OTHERWISE SPECIFIED		chr					rel level	Released			
surface	linear	0.X	±.3				product family	AIRMAX VS2			
		0.XX	±.15		title	AIRMAX VS2 R.A. RECEPTACLE					
		0.XXX	±.050		cat. no.	-					
	angular	0°	±°	ass'y, 3 PAIR, 54 POS, 6 IMLA, 20MM, W/GUIDE/KEY	dwg no	10135261					
					Product - Customer Drw	sheet 3 of 4					

PRODUCT NUMBER	PRESS-FIT TAIL PLATING TYPE
10135261-10ALF	TIN OVER NICKEL (LEAD FREE)
10135261-10PLF	TIN OVER NICKEL (LEAD FREE)

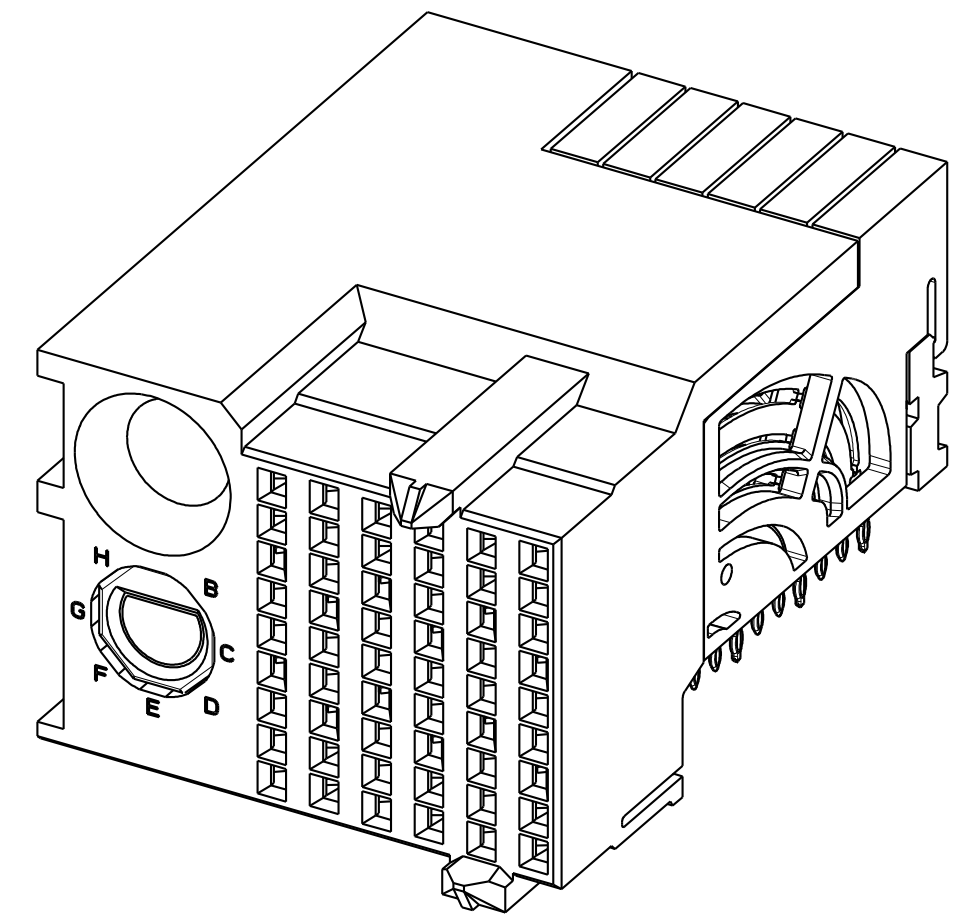
- 1 - CONNECTOR MATERIALS:
HOUSING: HIGH TEMP THERMOPLASTIC, NATURAL, UL94-V0
IMLA PLASTIC: HIGH TEMP THERMOPLASTIC, BLACK, UL94-V0
CONTACT: COPPER ALLOY
ORGANIZER: HIGH TEMP THERMOPLASTIC, WHITE, UL94-V0
- 2 - CONTACT PLATING:
SEPARABLE INTERFACE:
PERFORMANCE-BASED PLATING, QUALIFIED TO MEET THE REQUIREMENTS OF FCI PRODUCT SPECIFICATION GS-12-0956 INCLUDING TELCORDIA GR-1217-CORE (NOVEMBER 1995) CENTRAL OFFICE TEST SEQUENCE

PRESS-FIT TAILS: SEE TABLE

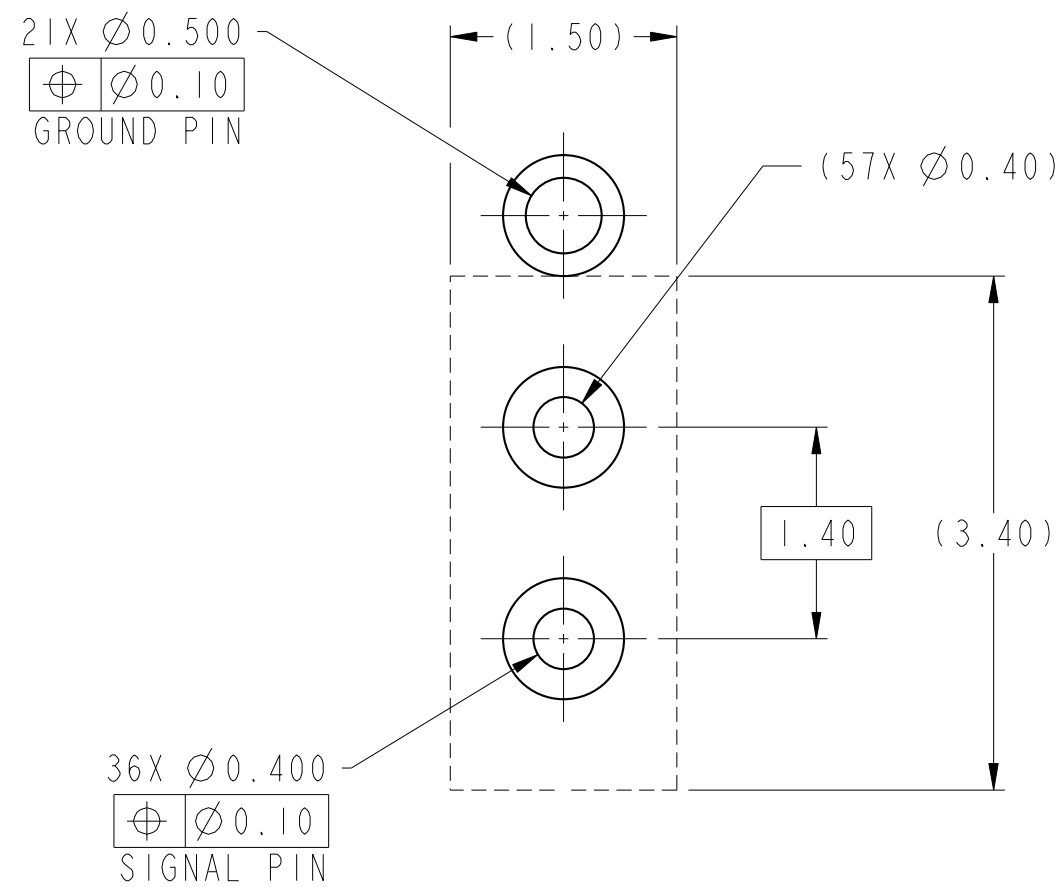
- 3 - PRODUCT SPECIFICATION: GS-12-0956
- 4 - APPLICATION SPECIFICATION: GS-20-0305.
- 5 - PRODUCT MARKING, (PART NUMBER & LOT CODE), ON THIS SURFACE.
- 6 - THE MINIMUM CENTERLINE SPACING BETWEEN ADJACENT MODULES IS 20.0 MM.
- 7 - CONNECTOR OUTLINE MAY BE SCREEN PRINTED ONTO CUSTOMER PCB TO BE USED AS A GUIDE FOR MANUAL CONNECTOR PLACEMENT.
- 8 - REFER TO CUSTOMER DRAWING 10104444 FOR INFORMATION ON PCB HOLE DIAMETERS AND PLATING OPTIONS
- 9 - LEAD FREE PRODUCT MEETS THE EUROPEAN UNION DIRECTIVES & OTHER COUNTRY REGULATIONS AS DESCRIBED IN GS-22-008
- 10 - PACKAGING MEETS GS-14-920 LEAD FREE LABELING SPECIFICATION.
- 11 - GROUND CONTACTS (C,F, AND I IN ODD COLUMNS AND A, D, AND G, EVEN COLUMNS) REQUIRE (Ø0.500) FINISHED HOLES. SIGNAL LOCATIONS REQUIRE (Ø0.400) FINISHED HOLES.
- 12 - THESE OUTER VIAS (J) ARE OPTIONAL. WHILE NO CONNECTOR EONS ARE PRESSED INTO THESE HOLES WE RECCOMMEND (Ø0.500) FINISHED HOLES AT THESE LOCATIONS TO PROVIDE GROUND SYMMETRY THROUGH THE PCB.
- 13 - CUSTOMER CAN FIX THE CONNECTOR WITH THREAD FORMING SCREW THROUGH THIS PTH. THE SCREW IS #2-32, THE VALID LENGTH OF SCREW IS 4.5MM PLUS THE THICKNESS OF PCB.



10135261 -10ALF



10135261-10PLF



DETAIL A
SCALE 20:1

spec ref	---	dr	Jeny Ren	201505/15	projection	MM	size	A2	scale	6:1	
tolerance std	ASME Y14.5M	eng	Terry Luo	2019/03/11	chr	-	ecn no	ELX-DG-32840-1	rel level	Released	
TOLERANCES UNLESS OTHERWISE SPECIFIED		appr	Heaven Cen	2019/03/13	product family	AirMax VS2	rel level	Released			
surface	linear	0.X	±.3	Amphenol FCI	TITLE		AIRMAX VS2 R.A. RECEPTACLE	dwg no	10135261	rev	C
		0.XX	±.15		ASS'Y, 3 PAIR, 54 POS, 6 IMLA, 20MM, W/GUIDE/KEY		cat. no.	-	Product - Customer Drw	sheet 4 of 4	
	angular	0°	±°								