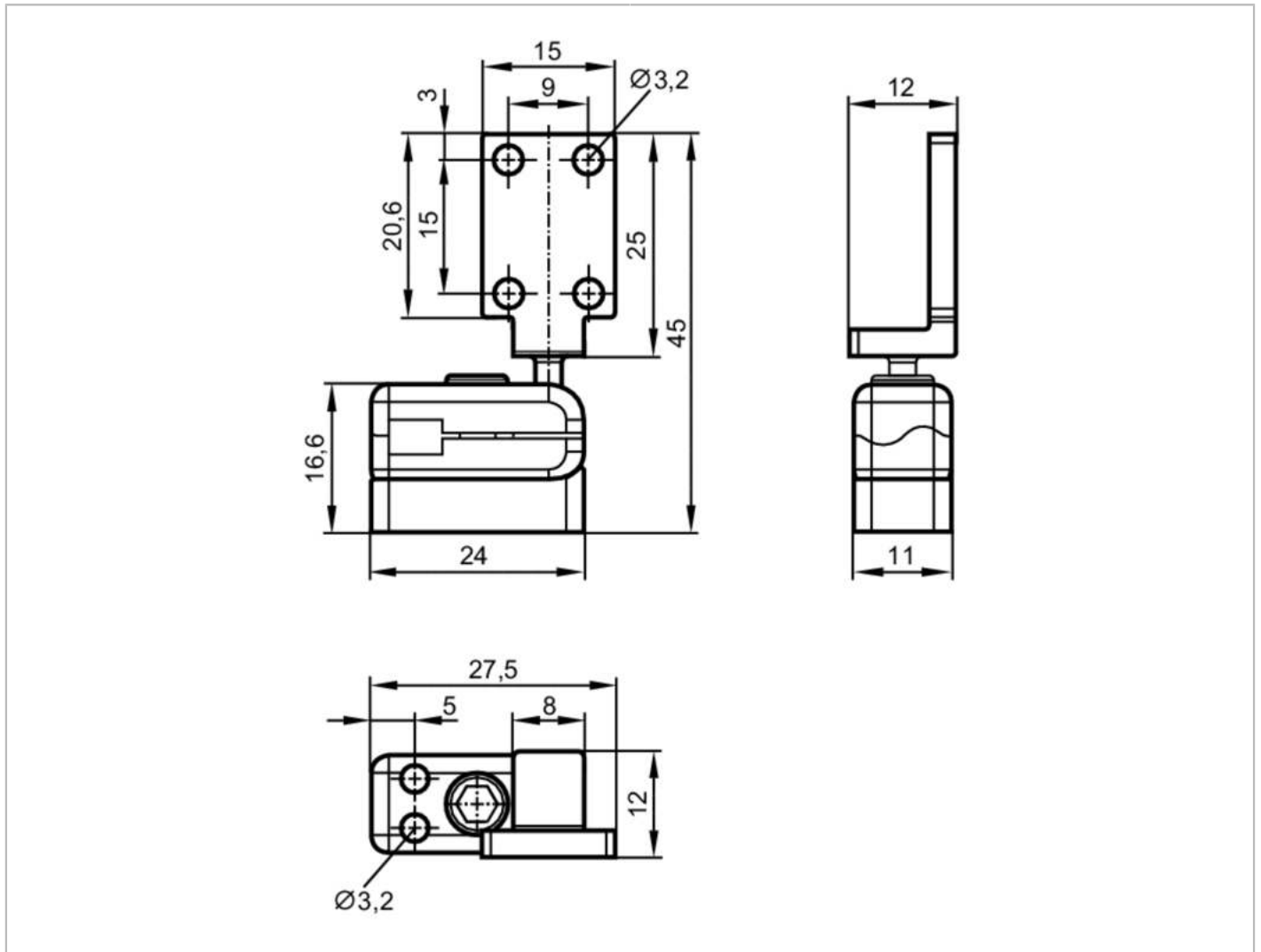


E21240



Mounting set for photoelectric sensors

SWIVEL MOUNT CLIP



Application	
Design	ball joint
Mechanical data	
Weight [g]	40
Type of mounting	free-standing
Dimensions [mm]	45 x 12 x 27.5
Materials	fixture: diecast zinc; mounting base: diecast zinc; screws: stainless steel
Accessories	
Items supplied	screws: 2
Remarks	
Pack quantity	1 pcs.