



2535-2655 MHz Ceramic Duplexer

Part Number: AM2535-2655D1009-C



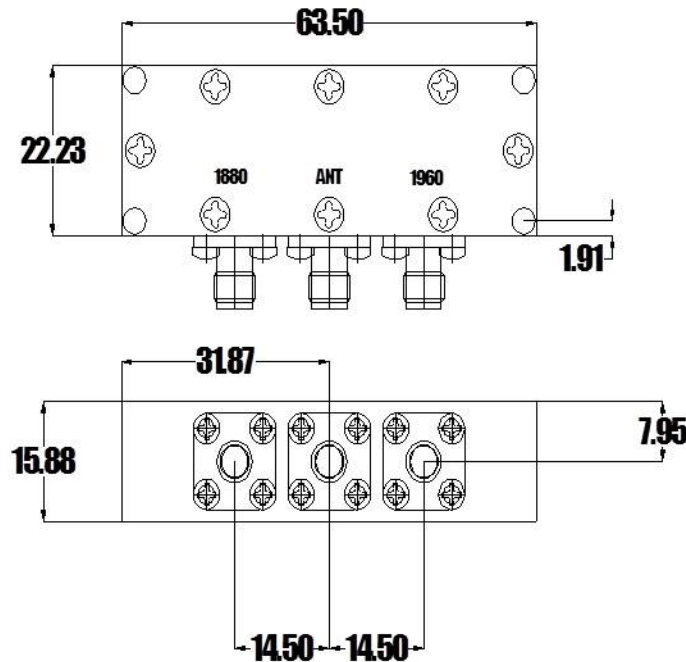
<u>Characteristics</u>	<u>Band 1</u>	<u>Band 2</u>
Passband:	2500-2570 MHz	2620-2690 MHz
Bandwidth:	Fo ± 35 MHz	Fo ± 35 MHz
VSWR:	1.5:1 Max	1.5:1 Max
Passband Insertion Loss:	3.0 dB max	3.0 dB max
Passband Ripple:	1.5 dB max	1.5 dB max
Input / Output Impedance:	50 Ohms	50 Ohms
Isolation:	50 dB min	50 dB min
Power Handling:	5 W	5 W

<u>Mechanical</u>	
Connector Type:	SMA (F)
Dimensions:	63.50 x 22.23 x 15.88 mm

<u>Environmental</u>	
Operating Temperature:	-40 to +70 deg.C
Storage Temperature:	-50 to +90 deg.C

This product is RoHs compliant.

Outline Drawing:



CONNECTION : PORT : SMA(Female)-All
Ports TOLERANCE : ±0.30
UNIT : mm



Response Plot:

