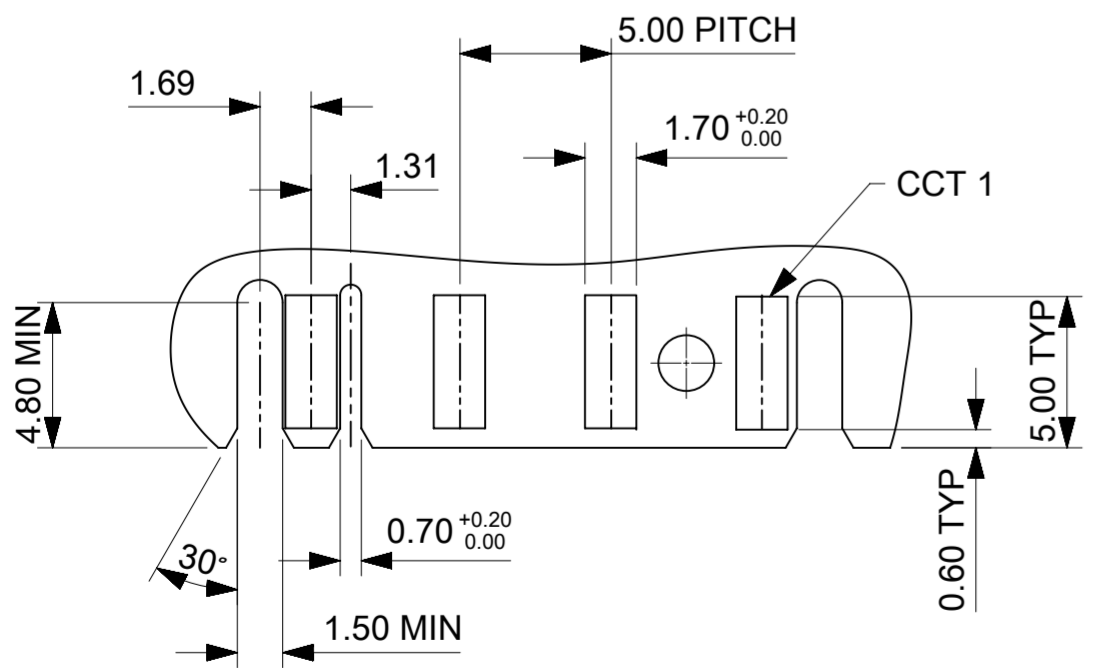


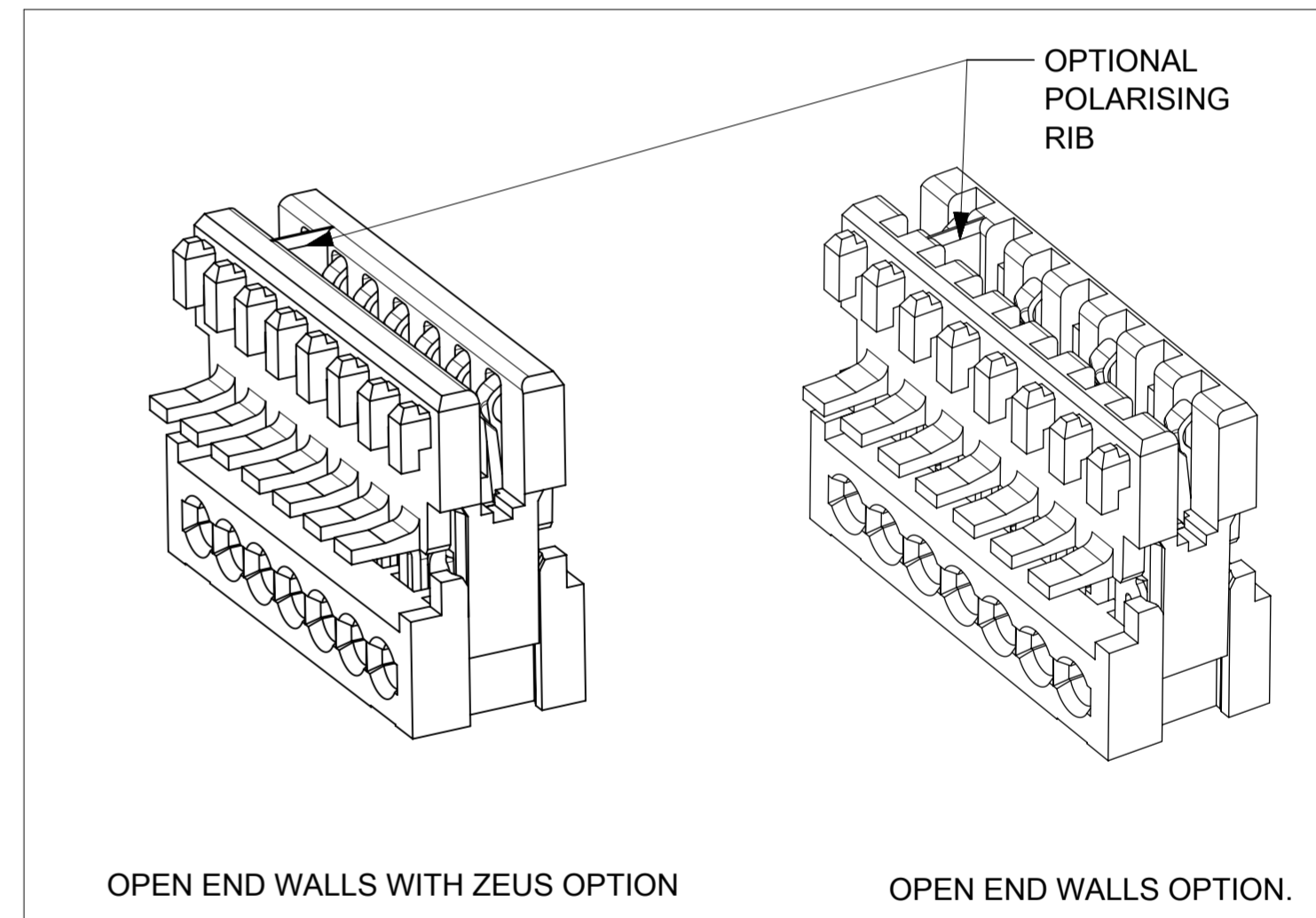
SHIPPING ARRANGEMENT

CCT	A	B
2	5.0	9.875
3	10.0	14.875
4	15.0	19.875
5	20.0	24.875
6	25.0	29.875
7	30.0	34.875



- PCB LAYOUT FOR 4CCT (5MM PITCH) CONNECTOR (WITH OPTIONAL POSITIONAL RIB SLOT ADJACENT TO CCT 4 OPTIONAL END WALL OPENINGS SHOWN)  
 - RECOMMENDED PCB THICKNESS 1.5±0.14

- NOTES:
- REFER TO PRODUCT SPECIFICATION: PS-99020-0040.
  - MATERIAL: HOUSING - POLYAMIDE 6 (PA6) UL94-V2, COLOUR: NATURAL. TERMINAL: PHOSPHOR BRONZE 0.30 REF. THICK - PLATING HOT TIN DIP.
  - COLOUR STRIPE IS OPTIONAL. AVAILABLE IN THE FOLLOWING COLOURS: RED, GREEN, BLUE. (BLACK SIGNIFIES CUSTOMER SPECIFIC CONFIGURATION).
  - REFER TO PACKAGING SPEC (PK-90871-001)
  - REFER TO APPLICATION SPEC (990330008 AS)
  - FOR CIRCUIT SIZES LARGER THAN 7CCT - CONTACT ENG. DEPT.
  - REFER TO WORK INSTRUCTION WI1643



THIS DRAWING CONTAINS INFORMATION THAT IS PROPRIETARY TO MOLEX ELECTRONIC TECHNOLOGIES, LLC AND SHOULD NOT BE USED WITHOUT WRITTEN PERMISSION

DIMENSION UNITS	SCALE	CURRENT REV DESC: UN-RESTRICTED		<b>molex</b>		
mm						
GENERAL TOLERANCES (UNLESS SPECIFIED)				APPLI-MATE 2.5 FEMALE G.W.T 750 5MM PITCH WITH BEAD ON TERMINAL		
ANGULAR TOL	± °	EC NO:	622400	PRODUCT CUSTOMER DRAWING		
4 PLACES	± 0.05	DRWN:	AKABADI 2019/08/14	DOCUMENT NUMBER	DOC TYPE	DOC PART
3 PLACES	± 0.1	CHK'D:	DRYAN 2019/08/28	933390001	PSD	000
2 PLACES	± 0.2	APPR:	DRYAN 2019/08/28	REVISION		
1 PLACE	± 0.3	INITIAL REVISION:		P		
0 PLACES	± 0.5	DRWN:	CFISHER01 2016/01/20	SHEET NUMBER		
DRAFT WHERE APPLICABLE MUST REMAIN WITHIN DIMENSIONS		APPR:	MSHANAHAN 2016/05/16	MATERIAL NUMBER	CUSTOMER	1 OF 5
		THIRD ANGLE PROJECTION	DRAWING	93339	GENERAL MARKET	
			SERIES	SEE SHEET 2 -5		
			A2-SIZE			

2 CIRCUIT									
PART NUMBER	HOUSING USED	TERMINAL USED	LATCH POSITION	REMOVED POSITION KEYS	CONFIGURATION	FIRST ENDWALL	LAST ENDWALL	0.55mm POLARIZING RIB BETWEEN	COLOUR STRIPE
93339-0001	93464-0003	93357-0001	NONE	NONE		OPEN	OPEN	NONE	RED
93339-0002	93464-0003	93357-0001	NONE	NONE		OPEN	OPEN	NONE	NONE
93339-0003	93464-0003	93357-0001	NONE	a		OPEN	OPEN	NONE	NONE
93339-0004	93464-0003	93357-0001	NONE	b		OPEN	OPEN	NONE	BLUE
93339-0005	93464-0003	93357-0001	NONE	c		OPEN	OPEN	NONE	NONE
93339-0006	93464-0003	93357-0001	NONE	c		OPEN	OPEN	NONE	BLACK
93339-0007	93464-0003	93357-0001	NONE	b d		OPEN	OPEN	NONE	BLUE
93339-0008	93464-0003	93357-0001	NONE	b c		OPEN	OPEN	NONE	BLUE
93339-0012	93464-0003	93357-0001	NONE	a b		OPEN	OPEN	NONE	NONE
93339-0013	93464-0003	93357-0001	NONE	b d		OPEN	OPEN	NONE	NONE
93339-0014	93464-0003	93357-0001	NONE	b		OPEN	OPEN	NONE	NONE
93339-0015	93464-0003	93357-0001	NONE	b c		OPEN	OPEN	NONE	NONE
93339-0017	93464-0003	93357-0001	NONE	a d		OPEN	OPEN	NONE	NONE
93339-0018	93464-0003	93357-0001	NONE	a c		OPEN	OPEN	NONE	NONE
93339-0019	93794-0103	93357-0001	NONE	a d		OPEN	OPEN	BETWEEN CCT 1&2	NONE
93339-0020	93464-0003	93357-0001	NONE	d		OPEN	OPEN	NONE	BLUE
93339-0021	93464-0003	93357-0001	NONE	c d		OPEN	OPEN	NONE	RED
93339-0024	93464-0003	93357-0001	NONE	a d		OPEN	OPEN	NONE	BLUE
93339-0025	93464-0003	93357-0001	NONE	a b		OPEN	OPEN	NONE	BLUE
93339-0026	93464-0043	93357-0001	NONE	c		OPEN	CLOSED	NONE	NONE
93339-0027	93464-0003	93357-0001	NONE	a c d		OPEN	OPEN	NONE	NONE
93339-0028	93464-0003	93357-0001	NONE	d		OPEN	OPEN	NONE	NONE
93339-0029	93464-0003	93357-0001	NONE	ALL		OPEN	OPEN	NONE	NONE
93339-0030	93464-0003	93357-0001	NONE	c d		OPEN	OPEN	NONE	NONE
93339-0031	93464-0003	93357-0001	NONE	ALL		OPEN	OPEN	NONE	BLACK
93339-0032	93464-0003	93357-0001	NONE	a b c		OPEN	OPEN	NONE	BLUE
93339-0033	93464-0043	93357-0001	NONE	a c		OPEN	CLOSED	NONE	NONE
93339-0041	93464-0003	93357-0001	NONE	a b d		OPEN	OPEN	NONE	NONE
93339-0042	93464-0003	93357-0001	NONE	a c		OPEN	OPEN	NONE	GREEN
93339-0043	93464-0003	93357-0001	NONE	NONE		OPEN	OPEN	NONE	VIOLET
93339-0044	93794-0203	93357-0001	NONE	NONE		OPEN	OPEN	BETWEEN CCT 2&3	RED

2 CIRCUIT									
PART NUMBER	HOUSING USED	TERMINAL USED	LATCH POSITION	REMOVED POSITION KEYS	CONFIGURATION	FIRST ENDWALL	LAST ENDWALL	0.55mm POLARIZING RIB BETWEEN	COLOUR STRIPE
93339-0045	93464-0003	93357-0001	NONE	b		OPEN	OPEN	NONE	GREEN
93339-0046	93464-0003	93357-0001	NONE	a b		OPEN	OPEN	NONE	BROWN
93339-0047	93794-0103	93357-0001	NONE	NONE		OPEN	OPEN	BETWEEN CCT 1&2	BLACK
93339-0048	93464-0003	93357-0001	NONE	c		OPEN	OPEN	NONE	BLUE
93339-0049	93049-0003	93357-0001	NONE	NONE		OPEN	OPEN	NONE	GREEN
93339-0050	93049-0003	93357-0001	NONE	NONE		OPEN	OPEN	NONE	BLUE
93339-0051	93049-0003	93357-0001	NONE	NONE		OPEN	OPEN	NONE	BROWN
93339-0052	93413-0103	93357-0001	NONE	NONE		OPEN	OPEN	BETWEEN CCT 1&2	NONE
93339-0053	93049-0003	93357-0001	NONE	NONE		OPEN	OPEN	NONE	NONE
93339-0055	93794-0203	93357-0001	NONE	NONE		OPEN	OPEN	BETWEEN CCT 2&3	NONE
93339-0056	93794-0223	93357-0001	NONE	a d		CLOSED	CLOSED	BETWEEN CCT 2&3	NONE
93339-0057	93794-0203	93357-0001	NONE	a		OPEN	OPEN	BETWEEN CCT 2&3	NONE
93339-0058	93794-0103	93357-0001	NONE	d		OPEN	OPEN	BETWEEN CCT 1&2	NONE
93339-0059	93794-0103	93357-0001	NONE	c		OPEN	OPEN	BETWEEN CCT 1&2	NONE
93339-0060	93794-0203	93357-0001	NONE	NONE		OPEN	OPEN	BETWEEN CCT 2&3	RED
93339-0061	93794-0103	93357-0001	NONE	NONE		OPEN	OPEN	BETWEEN CCT 1&2	BLACK
93339-0062	93794-0103	93357-0001	NONE	NONE		OPEN	OPEN	BETWEEN CCT 1&2	NONE
93339-0063	93794-0103	93357-0001	NONE	b d		OPEN	OPEN	BETWEEN CCT 1&2	RED
93339-0064	93794-0203	93357-0001	NONE	a c		OPEN	OPEN	BETWEEN CCT 2&3	NONE
93339-0065	93794-0103	93357-0001	NONE	b		OPEN	OPEN	BETWEEN CCT 1&2	NONE
93339-0066	93794-0103	93357-0001	NONE	a		OPEN	OPEN	BETWEEN CCT 1&2	NONE
93339-0067	93794-0163	93357-0001	NONE	NONE		CLOSED	OPEN	BETWEEN CCT 1&2	NONE
93339-0068	93464-0003	93357-0001	NONE	ALL		OPEN	OPEN	NONE	BLUE
93339-0069	93464-0003	93357-0001	NONE	a c d		OPEN	OPEN	NONE	RED

THIS DRAWING CONTAINS INFORMATION THAT IS PROPRIETARY TO MOLEX ELECTRONIC TECHNOLOGIES, LLC AND SHOULD NOT BE USED WITHOUT WRITTEN PERMISSION

DIMENSION UNITS	SCALE	CURRENT REV DESC: UN-RESTRICTED	
mm			
GENERAL TOLERANCES (UNLESS SPECIFIED)		molex	
ANGULAR TOL	± °	APPLI-MATE 2.5 FEMALE G.W.T 750 5MM PITCH WITH BEAD ON TERMINAL	
4 PLACES	± 0.05	EC NO: 622400	
3 PLACES	± 0.1	DRWN: AKABADI	2019/08/14
2 PLACES	± 0.2	CHK'D: DRYAN	2019/08/28
1 PLACE	± 0.3	APPR: DRYAN	2019/08/28
0 PLACES	± 0.5	INITIAL REVISION:	
DRAFT WHERE APPLICABLE MUST REMAIN WITHIN DIMENSIONS		DRWN: CFISHER01	2016/01/20
THIRD ANGLE PROJECTION		APPR: MSHANAHAN	2016/05/16
DRAWING		SERIES	DOCUMENT NUMBER
A2-SIZE		93339	933390001
MATERIAL NUMBER		CUSTOMER	DOC TYPE   DOC PART   REVISION
SEE SHEET 2 -5		GENERAL MARKET	PSD   000   P
SHEET NUMBER		2 OF 5	

2 CIRCUIT									
PART NUMBER	HOUSING USED	TERMINAL USED	LATCH POSITION	REMOVED POSITION KEYS	CONFIGURATION	FIRST ENDWALL	LAST ENDWALL	0.55mm POLARIZING RIB BETWEEN	COLOUR STRIPE
93339-0070	93794-0203	93357-0001	NONE	a b d		OPEN	OPEN	2&3	BLACK
93339-0071	93794-0103	93357-0001	NONE	a c d		OPEN	OPEN	1&2	RED
93339-0072	93794-0203	93357-0001	NONE	a c d		OPEN	OPEN	2&3	BLUE
93339-0073	93794-0103	93357-0001	NONE	a b d		OPEN	OPEN	1&2	GREEN
93339-0074	93464-0023	93357-0001	NONE	ALL		CLOSED	CLOSED	NONE	NONE
93339-0075	94010-0003 ZEUS	93357-0001	NONE	NONE		OPEN	OPEN	NONE	NONE
93339-0076	93794-0203	93357-0001	NONE	b d		OPEN	OPEN	2&3	RED
93339-0077	93464-0003	93357-0001	NONE	NONE		OPEN	OPEN	NONE	BLUE
93339-0078	94006-0103 ZEUS	93357-0001	NONE	NONE		OPEN	OPEN	1&2	BLACK
93339-0080	94006-0003 ZEUS	93357-0001	NONE	NONE		OPEN	OPEN	NONE	NONE
93339-0081	94006-0003 ZEUS	93357-0001	NONE	a c		OPEN	OPEN	NONE	NONE

3 CIRCUIT									
PART NUMBER	HOUSING USED	TERMINAL USED	LATCH POSITION	REMOVED POSITION KEYS	CONFIGURATION	FIRST ENDWALL	LAST ENDWALL	0.55mm POLARIZING RIB BETWEEN	COLOUR STRIPE
93339-1001	93464-0005	93357-0001	NONE	NONE		OPEN	OPEN	NONE	NONE
93339-1002	93464-0005	93357-0001	NONE	c d f		OPEN	OPEN	NONE	NONE
93339-1003	93464-0005	93357-0001	NONE	a d e		OPEN	OPEN	NONE	NONE
93339-1004	93464-0005	93357-0001	NONE	d e f		OPEN	OPEN	NONE	NONE
93339-1005	93464-0005	93357-0001	NONE	b c d		OPEN	OPEN	NONE	NONE
93339-1006	93464-0005	93357-0001	NONE	a b d		OPEN	OPEN	NONE	NONE
93339-1007	93464-0005	93357-0001	NONE	a d e f		OPEN	OPEN	NONE	NONE
93339-1008	93464-0005	93357-0001	NONE	b c e		OPEN	OPEN	NONE	NONE
93339-1009	93464-0005	93357-0001	NONE	a c d		OPEN	OPEN	NONE	NONE
93339-1012	93464-0005	93357-0001	NONE	b c e		OPEN	OPEN	NONE	NONE
93339-1014	93464-0005	93357-0001	NONE	e f		OPEN	OPEN	NONE	NONE
93339-1015	93464-0005	93357-0001	NONE	b d		OPEN	OPEN	NONE	NONE
93339-1016	93464-0005	93357-0001	NONE	f		OPEN	OPEN	NONE	NONE
93339-1017	93464-0005	93357-0001	NONE	a f		OPEN	OPEN	NONE	NONE
93339-1018	93464-0005	93357-0001	NONE	c d e		OPEN	OPEN	NONE	NONE
93339-1019	93464-0005	93357-0001	NONE	NONE		OPEN	OPEN	NONE	BLUE
93339-1020	93464-0005	93357-0001	NONE	c d e f		OPEN	OPEN	NONE	NONE
93339-1021	93464-0005	93357-0001	NONE	b		OPEN	OPEN	NONE	GREEN
93339-1022	93464-0005	93357-0001	NONE	NONE		OPEN	OPEN	NONE	GREEN
93339-1023	93794-0405	93357-0001	NONE	NONE		OPEN	OPEN	BETWEEN CCT 4&5	NONE
93339-1024	93464-0005	93357-0001	NONE	a		OPEN	OPEN	NONE	NONE
93339-1025	93464-0005	93357-0001	NONE	a b		OPEN	OPEN	NONE	NONE
93339-1026	93464-0005	93357-0001	NONE	ALL		OPEN	OPEN	NONE	NONE
93339-1027	94006-0005 ZEUS	93357-0001	NONE	NONE		OPEN	OPEN	NONE	NONE

THIS DRAWING CONTAINS INFORMATION THAT IS PROPRIETARY TO MOLEX ELECTRONIC TECHNOLOGIES, LLC AND SHOULD NOT BE USED WITHOUT WRITTEN PERMISSION

DIMENSION UNITS	SCALE	CURRENT REV DESC: UN-RESTRICTED		<b>molex</b>			
mm							
GENERAL TOLERANCES (UNLESS SPECIFIED)		EC NO: 622400		APPLI-MATE 2.5 FEMALE G.W.T 750 5MM PITCH WITH BEAD ON TERMINAL			
ANGULAR TOL	± °	DRWN: AKABADI 2019/08/14					
4 PLACES	± 0.05	CHK'D: DRYAN 2019/08/28		PRODUCT CUSTOMER DRAWING			
3 PLACES	± 0.1	APPR: DRYAN 2019/08/28					
2 PLACES	± 0.2	INITIAL REVISION:		DOCUMENT NUMBER			
1 PLACE	± 0.3	DRWN: CFISHER01 2016/01/20					933390001
0 PLACES	± 0.5	APPR: MSHANAHAN 2016/05/16		DOC TYPE   DOC PART   REVISION			
DRAFT WHERE APPLICABLE MUST REMAIN WITHIN DIMENSIONS		THIRD ANGLE PROJECTION	DRAWING				SERIES
			A2-SIZE	93339	SEE SHEET 2 -5	GENERAL MARKET	3 OF 5

# 4 CIRCUIT

PART NUMBER	HOUSING USED	TERMINAL USED	LATCH POSITION	REMOVED POSITION KEYS	CONFIGURATION	FIRST ENDWALL	LAST ENDWALL	0.55mm POLARIZING RIB BETWEEN	COLOUR STRIPE
93339-2001	93464-0007	93357-0001	NONE	NONE		OPEN	OPEN	NONE	NONE
93339-2002	93464-0007	93357-0001	NONE	ALL		OPEN	OPEN	NONE	NONE
93339-2003	93464-0007	93357-0001	NONE	b c d f		OPEN	OPEN	NONE	NONE
93339-2004	93464-0007	93357-0001	NONE	d e f g		OPEN	OPEN	NONE	NONE
93339-2005	93464-0007	93357-0001	NONE	a b e f h		OPEN	OPEN	NONE	NONE
93339-2006	93464-0007	93357-0001	NONE	d e f g h		OPEN	OPEN	NONE	NONE
93339-2007	93464-0007	93357-0001	NONE	c d		OPEN	OPEN	NONE	NONE
93339-2008	93464-0007	93357-0001	NONE	b c d e		OPEN	OPEN	NONE	NONE
93339-2012	93464-0007	93357-0001	NONE	d e f g		OPEN	OPEN	NONE	NONE
93339-2013	93464-0007	93357-0001	NONE	a b e f h		OPEN	OPEN	NONE	NONE
93339-2014	93464-0007	93357-0001	NONE	b c d f		OPEN	OPEN	NONE	NONE
93339-2015	93464-0007	93357-0001	NONE	NONE		OPEN	OPEN	NONE	BLUE
93339-2016	93464-0007	93357-0001	NONE	a c e g		OPEN	OPEN	NONE	NONE
93339-2017	93464-0007	93357-0001	NONE	a b d f g h		OPEN	OPEN	NONE	NONE
93339-2018	93464-0007	93357-0001	NONE	c d e f g		OPEN	OPEN	NONE	NONE
93339-2019	93464-0007	93357-0001	NONE	a b c d e f		OPEN	OPEN	NONE	NONE
93339-2020	93464-0007	93357-0001	NONE	d f		OPEN	OPEN	NONE	NONE
93339-2021	93464-0007	93357-0001	NONE	f g h		OPEN	OPEN	NONE	NONE
93339-2022	93464-0007	93357-0001	NONE	b c e		OPEN	OPEN	NONE	NONE
93339-2023	93049-0007	93357-0004	NONE	NONE		OPEN	OPEN	NONE	BLUE
93339-2024	93794-0207	93357-0001	NONE	NONE		OPEN	OPEN	BETWEEN CCT 2&3	NONE
93339-2025	94006-0007 ZEUS	93357-0001	NONE	NONE		OPEN	OPEN	NONE	NONE

# 5 CIRCUIT

PART NUMBER	HOUSING USED	TERMINAL USED	LATCH POSITION	REMOVED POSITION KEYS	CONFIGURATION	FIRST ENDWALL	LAST ENDWALL	0.55mm POLARIZING RIB BETWEEN	COLOUR STRIPE
93339-3001	93464-0009	93357-0001	NONE	NONE		OPEN	OPEN	NONE	NONE
93339-3002	93464-0009	93357-0001	NONE	c e f h		OPEN	OPEN	NONE	NONE
93339-3003	93464-0009	93357-0001	NONE	b d f g i		OPEN	OPEN	NONE	NONE
93339-3004	93464-0009	93357-0001	NONE	c e g h		OPEN	OPEN	NONE	NONE
93339-3005	93464-0009	93357-0001	NONE	a c		OPEN	OPEN	NONE	NONE
93339-3006	93464-0009	93357-0001	NONE	b c e f g i		OPEN	OPEN	NONE	NONE
93339-3008	93049-0009	93357-0004	NONE	NONE		OPEN	OPEN	NONE	NONE
93339-3009	93464-9908	93357-0001	NONE	NONE		NARROW FLUSH	OPEN	NONE	NONE
93339-3010	94006-0009 ZEUS	93357-0001	NONE	NONE		OPEN	OPEN	NONE	NONE

THIS DRAWING CONTAINS INFORMATION THAT IS PROPRIETARY TO MOLEX ELECTRONIC TECHNOLOGIES, LLC AND SHOULD NOT BE USED WITHOUT WRITTEN PERMISSION

DIMENSION UNITS	SCALE	CURRENT REV DESC: UN-RESTRICTED		<b>molex</b>		
mm						
GENERAL TOLERANCES (UNLESS SPECIFIED)		EC NO: 622400		APPLI-MATE 2.5 FEMALE G.W.T 750 5MM PITCH WITH BEAD ON TERMINAL		
ANGULAR TOL	± °	DRWN: AKABADI 2019/08/14				
4 PLACES	± 0.05	CHK'D: DRYAN 2019/08/28		PRODUCT CUSTOMER DRAWING		
3 PLACES	± 0.1	APPR: DRYAN 2019/08/28				
2 PLACES	± 0.2	INITIAL REVISION:		DOCUMENT NUMBER <b>933390001</b>		
1 PLACE	± 0.3	DRWN: CFISHER01 2016/01/20				
0 PLACES	± 0.5	APPR: MSHANAHAN 2016/05/16		DOC TYPE PSD		
DRAFT WHERE APPLICABLE MUST REMAIN WITHIN DIMENSIONS		THIRD ANGLE PROJECTION	DRAWING			
			A2-SIZE	93339	SEE SHEET 2 -5	000
					CUSTOMER	REVISION
					GENERAL MARKET	P
						SHEET NUMBER
						4 OF 5

6 CIRCUIT									
PART NUMBER	HOUSING USED	TERMINAL USED	LATCH POSITION	REMOVED POSITION KEYS	CONFIGURATION	FIRST ENDWALL	LAST ENDWALL	0.55mm POLARIZING RIB BETWEEN	COLOUR STRIPE
93339-4001	93464-0011	93357-0001	NONE	NONE		OPEN	OPEN	NONE	NONE
93339-4002	93464-0011	93357-0001	NONE	defghi		OPEN	OPEN	NONE	NONE
93339-4003	93464-0011	93357-0001	NONE	cdehij		OPEN	OPEN	NONE	NONE
93339-4004	93464-0011	93357-0001	NONE	abefghkl		OPEN	OPEN	NONE	NONE
93339-4005	93464-0011	93357-0001	NONE	abefhik		OPEN	OPEN	NONE	NONE
93339-4006	93464-0011	93357-0001	NONE	bcfgjk		OPEN	OPEN	NONE	NONE
93339-4007	93464-0011	93357-0001	NONE	abcdefghil		OPEN	OPEN	NONE	NONE
93339-4008	93464-0011	93357-0001	NONE	NONE		OPEN	OPEN	NONE	BLUE
93339-4009	93464-0011	93357-0001	NONE	abcdefghijkl		OPEN	OPEN	NONE	NONE
93339-4010	93464-0011	93357-0001	NONE	cdefghij		OPEN	OPEN	NONE	BLUE
93339-4011	93464-0011	93357-0001	NONE	cdehij		OPEN	OPEN	NONE	NONE
93339-4012	93464-0011	93357-0001	NONE	cdefghij		OPEN	OPEN	NONE	NONE
93339-4013	93464-0011	93357-0001	NONE	NONE		OPEN	OPEN	NONE	GREEN

9 CIRCUIT										
PART NUMBER	HOUSING USED	TERMINAL USED	LATCH POSITION	REMOVED POSITION KEYS	CONFIGURATION	FIRST ENDWALL	LAST ENDWALL	0.55mm POLARIZING RIB BETWEEN	COLOUR STRIPE	
93339-6001	93794-0817	93357-0001	NONE	ij		OPEN	OPEN	8&9	NONE	

7 CIRCUIT									
PART NUMBER	HOUSING USED	TERMINAL USED	LATCH POSITION	REMOVED POSITION KEYS	CONFIGURATION	FIRST ENDWALL	LAST ENDWALL	0.55mm POLARIZING RIB BETWEEN	COLOUR STRIPE
93339-5001	93049-0013	93357-0004	NONE	NONE		OPEN	OPEN	NONE	NONE
93339-5002	93464-0013	93357-0001	NONE	cdghijk		OPEN	OPEN	NONE	NONE
93339-5003	93464-0013	93357-0001	NONE	NONE		OPEN	OPEN	NONE	NONE

8 CIRCUIT									
PART NUMBER	HOUSING USED	TERMINAL USED	LATCH POSITION	REMOVED POSITION KEYS	CONFIGURATION	FIRST ENDWALL	LAST ENDWALL	0.55mm POLARIZING RIB BETWEEN	COLOUR STRIPE
93339-5501	93049-0015	93357-0001	NONE	NONE		OPEN	OPEN	NONE	NONE
93339-5502	93464-0015	93357-0001	NONE	NONE		OPEN	OPEN	NONE	NONE

THIS DRAWING CONTAINS INFORMATION THAT IS PROPRIETARY TO MOLEX ELECTRONIC TECHNOLOGIES, LLC AND SHOULD NOT BE USED WITHOUT WRITTEN PERMISSION

DIMENSION UNITS	SCALE	CURRENT REV DESC: UN-RESTRICTED		<b>molex</b>			
mm							
GENERAL TOLERANCES (UNLESS SPECIFIED)		EC NO: 622400		APPLI-MATE 2.5 FEMALE G.W.T 750 5MM PITCH WITH BEAD ON TERMINAL			
ANGULAR TOL	± °	DRWN: AKABADI 2019/08/14					
4 PLACES	± 0.05	CHK'D: DRYAN 2019/08/28		PRODUCT CUSTOMER DRAWING			
3 PLACES	± 0.1	APPR: DRYAN 2019/08/28					
2 PLACES	± 0.2	INITIAL REVISION:		DOCUMENT NUMBER			
1 PLACE	± 0.3	DRWN: CFISHER01 2016/01/20					
0 PLACES	± 0.5	APPR: MSHANAHAN 2016/05/16		933390001			
DRAFT WHERE APPLICABLE MUST REMAIN WITHIN DIMENSIONS		THIRD ANGLE PROJECTION	DRAWING	SERIES	MATERIAL NUMBER	CUSTOMER	SHEET NUMBER
			A2-SIZE	93339	SEE SHEET 2 -5	GENERAL MARKET	5 OF 5