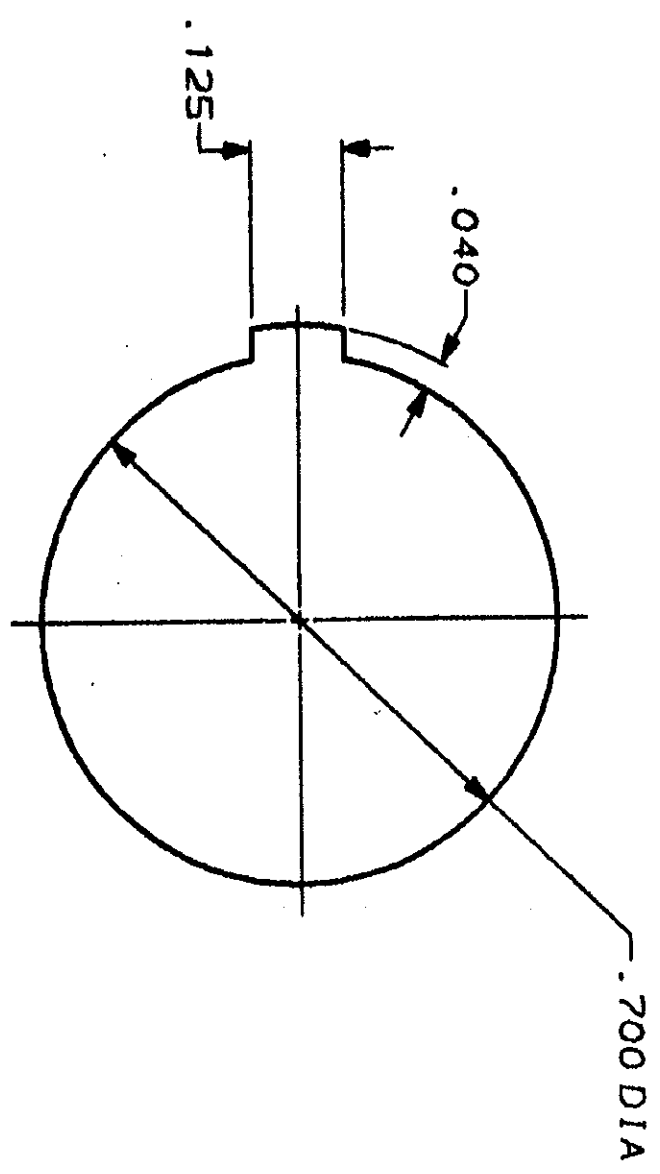
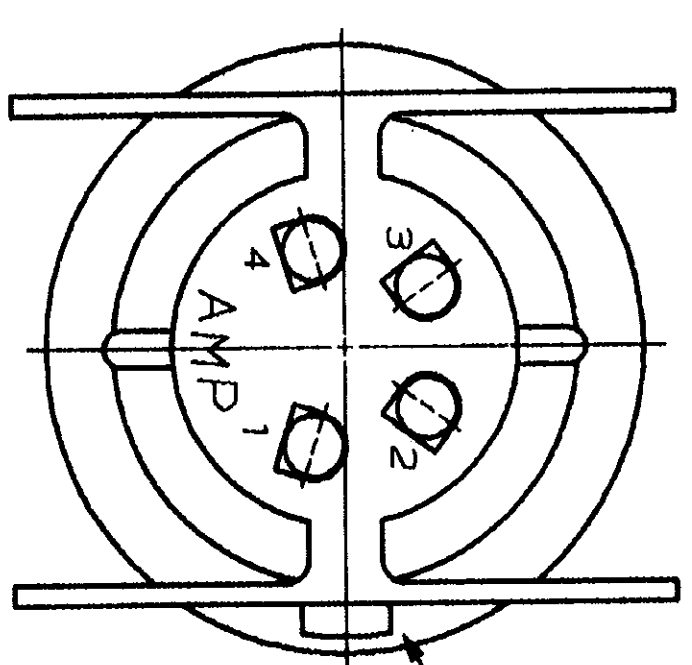
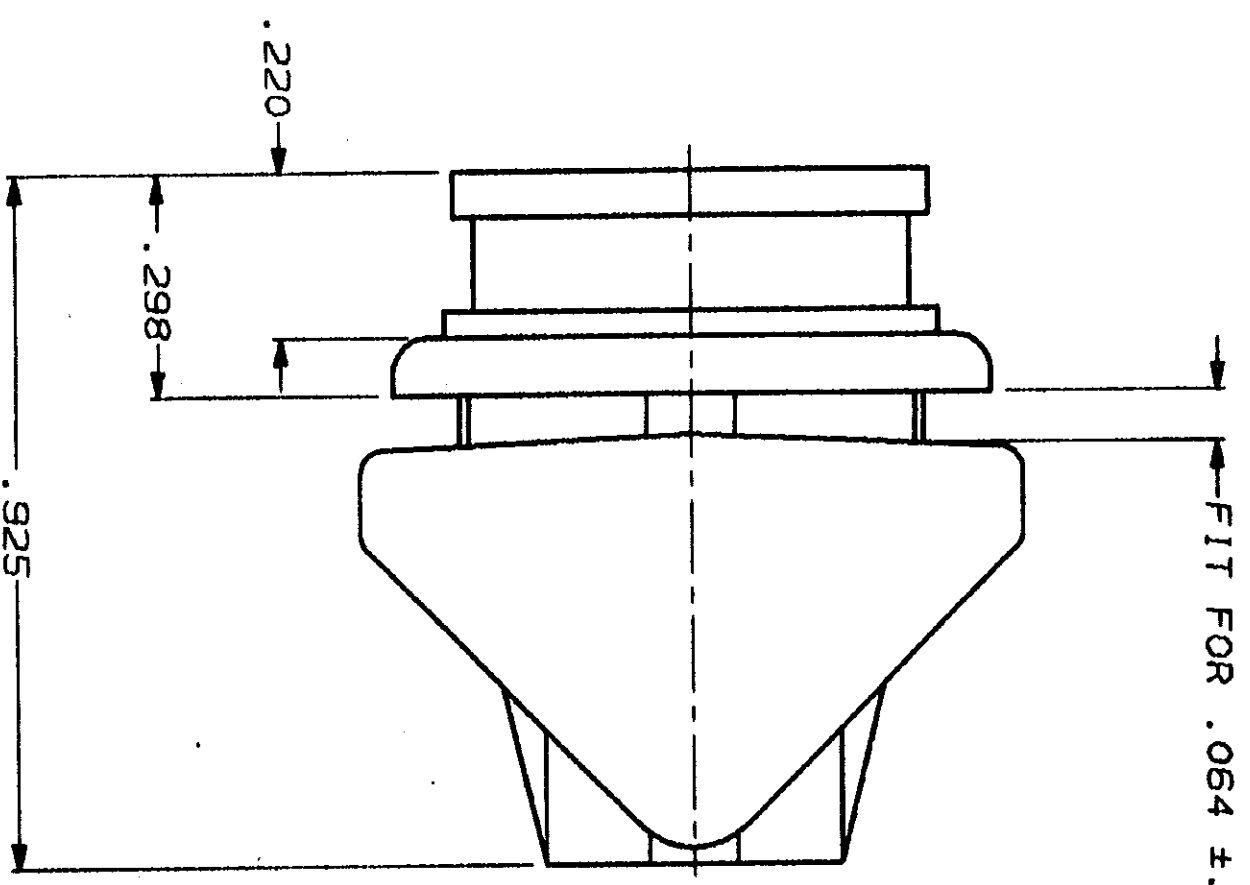
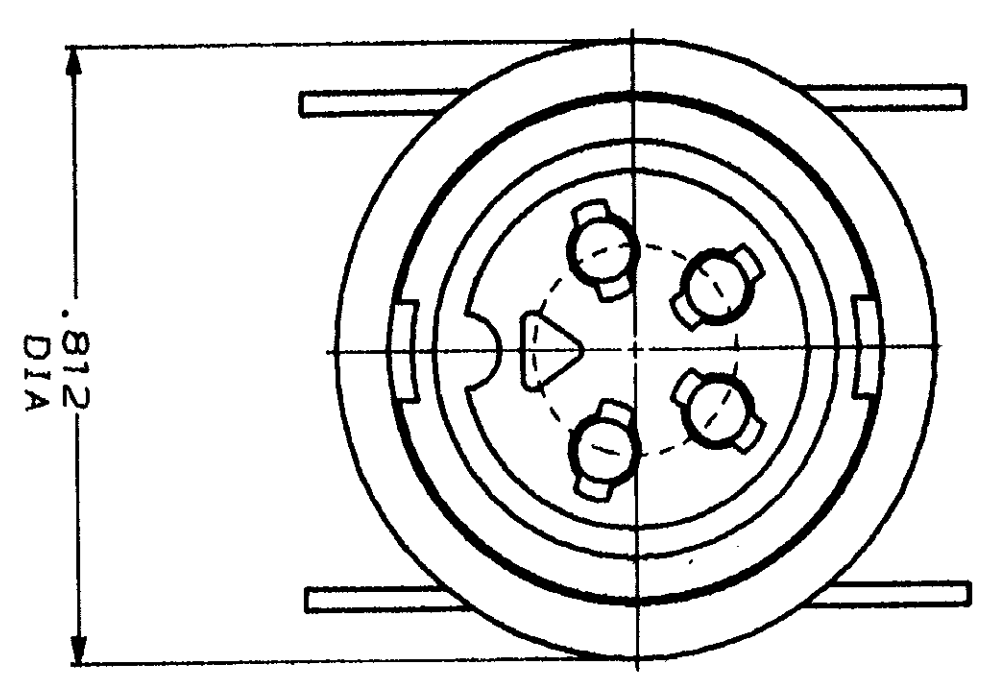


REV	DATE	APP'D
23	BD	39
ZONE	LTR	DESCRIPTION
H	REDRAWN	
DATE	APP'D	
8/2/90	K/S	



RECOMMENDED PANEL CUT-OUT
 1. HOUSING TO BE INSERTED FROM PUNCHED SIDE OF PANEL.

DO NOT SCALE PRINT. DIMENSIONS SPECIFIED UNLESS SPECIFIED IN INCHES TOLERANCES IN INCHES 1. PLC DEC ± .005 2. PLC DEC ± .005 3. PLC DEC ± .005 ANGLES MATERIAL NYLON COLOR: BLACK FINISH	DR B/31/90 A. STUB BS CHK S-30-91 APPD H. Blawie 6-3-91 APPD - Q. Blawie 6/2/91 PRODUCT SPEC APPLICATION SPEC WEIGHT	AMP AMP Incorporated Harrisburg, PA 17105-3808	NAME HOUSING, SOCKET, SNAP-IN, AUDIO MICROPHONE CONNECTOR, 4 POSN	SIZE CAGE CODE DRAWING NO SHEET	SCALE 4:1 1 OF 1
				00779	207316

207316-1
PART NO

207316

CUSTOMER DRAWING