

MATERIAL :
Housing : Zinc alloy nickel plated
Insert : PA 66 UL94 V0
Mating gasket : sealing IP67:Nitril
 sealing IP68:Silicon
O'ring : nitril
Interfacial gasket (female connector only): thermoplastic elastomer
Jam Nut : Aluminium alloy nickel plated

PERFORMANCE CHARACTERISTICS :
Operating temperature : -40°C up to 105°C
Insulation resistance : 5000 MΩ min
Withstanding voltage : 1500 Vrms
Corrosion salt spray : 48 hours (96 hours for specification 01)
Durability : 500 matings and unmatings
Sealing in mated conditions : IP67 / IP68 3 bars/30min as per IEC60529
Sealing in mated conditions : IP69K as per DIN40050
ROHS compliant

- NOTES :**
- 1- Contact identification and orientation of connector, refer to:
 UT0-CONTACT-L-C01 (Male)
 UT0-CONTACT-L-C02 (Female)
 - 2- Connector blocks accept size #20 male or female contacts
(strip formed, machined crimp and spill)
 - 3- Contact to be ordered separately refer to : UT0 catalog
 - 4- This drawing covers p/n termination : -H / -H6 / -H01 / -H601
 - 5- Packaging : connector is individually packed in a plastic bag

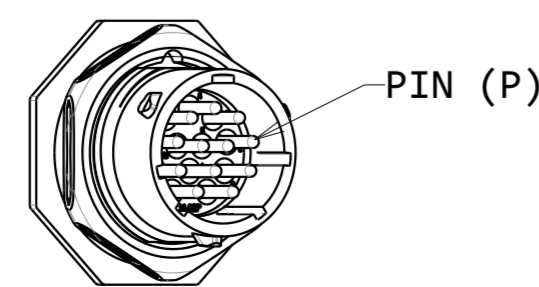
Part Number (Note 4)	Thread 2 (for information)	A ±0.5	B Max (Overall length)		C ±0.2	D ±0.2	Ø E	F1	F2 ±0.2	G Max (Panel Thickness)	K ±0.4	Torque on nut max (Nm)
			Male	Female								
UT0W7106--H-	9/16-24 UNEF CLASS 2A	27					14.91				22.20	6
UT0W71210--H-	11/16-24 UNEF CLASS 2A	32					18.96				26.97	9
UT0W71419--H-	13/16-20 UNEF CLASS 2A	35	34	33	20.9	9.88	22.14	19.10	17.93	3.2	30.15	10
UT0W71626--H-	15/16-20 UNEF CLASS 2A	38.1					25.32				33.30	13
UT0W71832--H-	1"1/16-18 UNEF CLASS 2A	41.3					28.49				36.52	20
UT0W72041--H-	1"3/16-18 UNEF CLASS 2A	46	39	39	26.47	11.46	31.68	24.51	22.71	6.4	39.67	23
UT0W72041--H-	1"5/16-18 UNEF CLASS 2A	49.2					34.85					
UT0W72461--H-	1"7/16-18 UNEF CLASS 2A	53.4	41	41	28.31	12.3	38.03	25.36	23.55		46.02	26

UT0W7	16	26	P	W	H6	01
Receptacle UT0W : Type 7						
Shell size :						
Insert arrangement : See Note 1						
Contact : P : Male S : Female						
Insert polarisation: No letter : Standard version W, X, Y, Z : Different orientation						
Sealing version : H : IP67 version H6 : IP68 version						
Specification : No letter : Standard version 01 : Jam nut is black anodized						

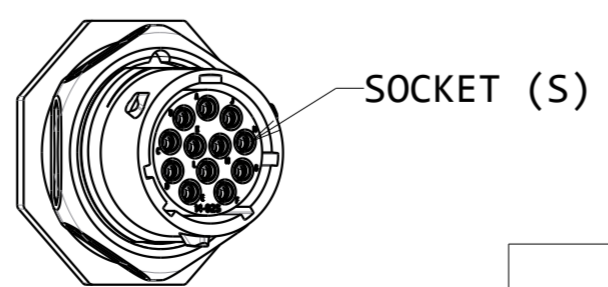
Country	Jurisdiction & Control List
FR	NOT LISTED

P/N : UT0W7 _ _ _ _ _

MALE CONNECTOR



FEMALE CONNECTOR

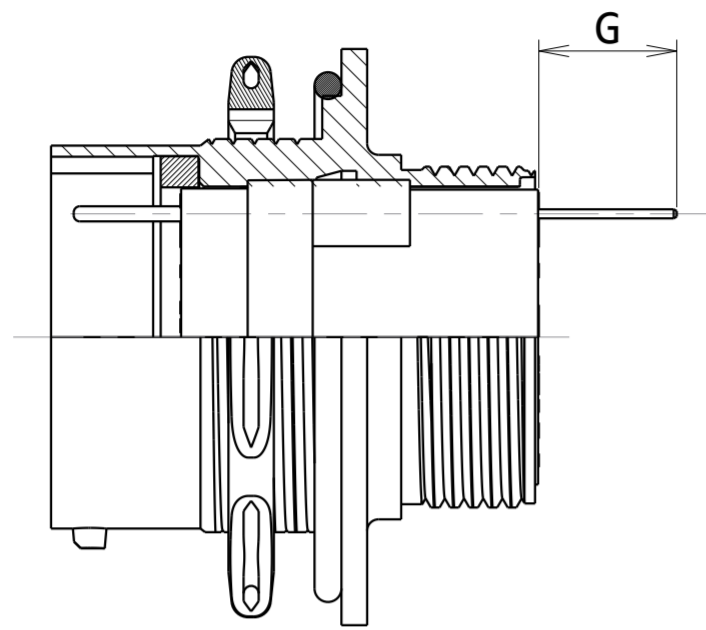


SOURIAU shall not be liable for any non-conformity or damage due to a use of the Products which does not comply with the Specifications issued by either of the Parties or by a third party (professional recommendation, technical notice.)

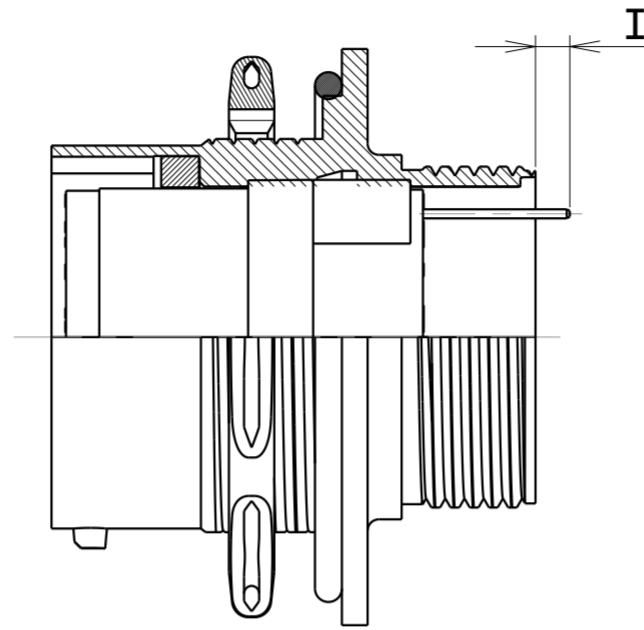
B	23/04/2018	Updating table -> "Thread 1" become "Thread 2"	
ISS	DATE	Latest modification - by:	COURTOISEAU L.
Designed by:		CHANTOISEAU P.	Date: 21/10/2013
TITLE		CUSTOMER DRAWING	
TITLE		RECEPTACLE UT0W CONNECTOR	
Scale	3/1	General linear Tolerances: ± 0.1	NPRDS / PROJECT UT0W
SOURIAU		WWW.SOURIAU.COM	
This document is the property of SOURIAU. It must not be reproduced or communicated without permission			
FORMAT	SOURIAU DRG N°		SHEET
A2	C002-UT07-A		1 / 2

In case the connectors are equipped with dipsolder contacts

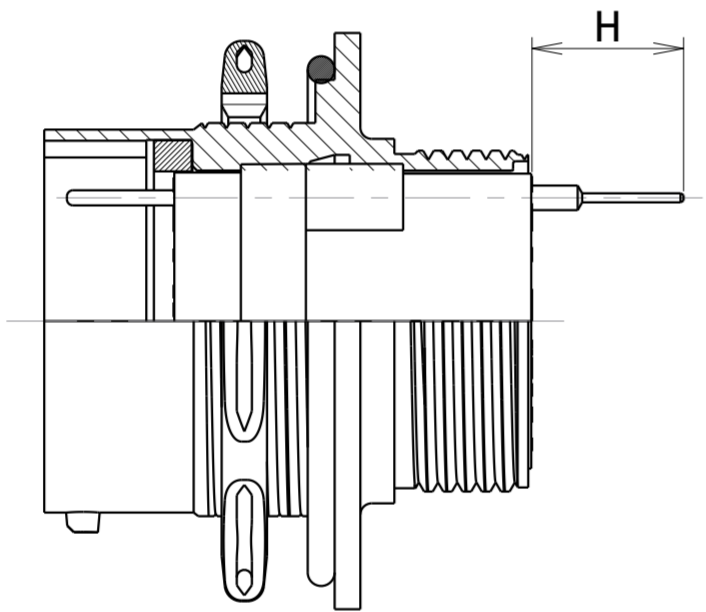
CONTACT RMW50A7* (Male)



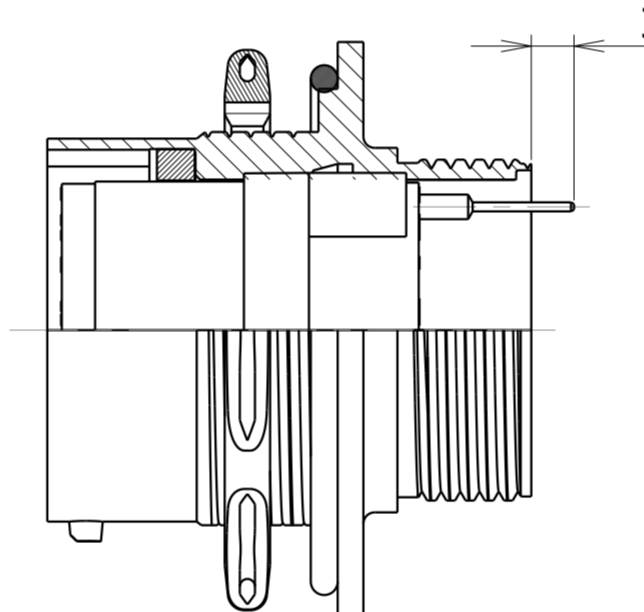
CONTACT RCW50A7* (Female)



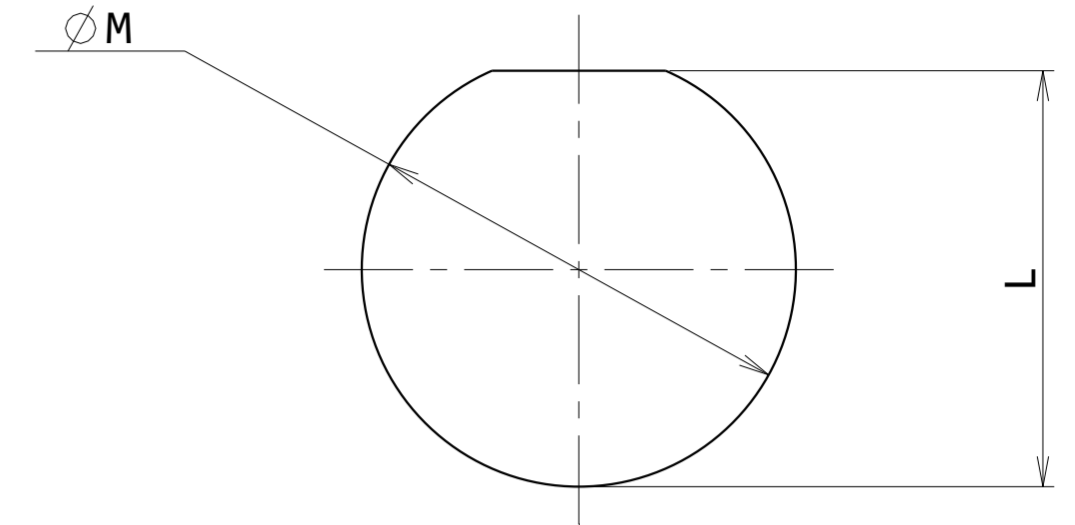
CONTACT RMW5016* (Male)



CONTACT RCW5016* (Female)



Panel Cut Out



Part Number (Male or Female)	L	∅ M
UT0W7106--H-	16.45 ^{+0.2} ₀	17.30 ^{+0.25} ₀
UT0W71210--H-	20.85 ^{+0.3} ₀	22.10 ^{+0.3} ₀
UT0W71419--H-	24.00 ^{+0.3} ₀	25.40 ^{+0.3} ₀
UT0W71626--H-	27.10 ^{+0.3} ₀	28.20 ^{+0.3} ₀
UT0W71832--H-	30.20 ^{+0.3} ₀	31.70 ^{+0.3} ₀
UT0W72041--H-	33.40 ^{+0.3} ₀	34.70 ^{+0.3} ₀
UT0W72255--H-	36.60 ^{+0.3} ₀	37.80 ^{+0.3} ₀
UT0W72461--H-	39.80 ^{+0.3} ₀	41.10 ^{+0.3} ₀

MALE CONTACTS				
Part Number	G		H	
	min	max	min	max
UT0W7106P-H-				
UT0W71210P-H-				
UT0W71419P-H-				
UT0W71626P-H-	8.2	10.1	9.1	11.0
UT0W71832P-H-				
UT0W72041P-H-				
UT0W72255P-H-				
UT0W72461P-H-				

FEMALE CONTACTS				
Part Number	I		J	
	min	max	min	max
UT0W7106S-H-				
UT0W71210S-H-				
UT0W71419S-H-	1.2	3.4	1.8	4
UT0W71626S-H-				
UT0W71832S-H-				
UT0W72041S-H-	NOT EXISTING			
UT0W72255S-H-				
UT0W72461S-H-				

Country	Jurisdiction & Control List
FR	NOT LISTED

P/N : UT0W7 _ _ _ _ _

B	23/04/2018	Updating table -> "Thread 1" become "Thread 2"		
ISS	DATE	Latest modification - by: COURTOIS L.		MOD N°
Designed by: CHANTOISEAU P.		Date: 21/10/2018		CUSTOMER DRAWING
TITLE		RECEPTACLE UT0W CONNECTOR		
Scale	1/1	General linear Tolerances: ± 0.1	NPRDS / PROJECT UT0W	
SOURIAU		WWW.SOURIAU.COM		This document is the property of SOURIAU It must not be reproduced or communicated without permission
FORMAT	A2	SOURIAU DRG N° C002-UT07-A		SHEET 2 / 2

SOURIAU shall not be liable for any non-conformity or damage due to a use of the Products which does not comply with the Specifications issued by either of the Parties or by a third party (professional recommendation, technical notice.)