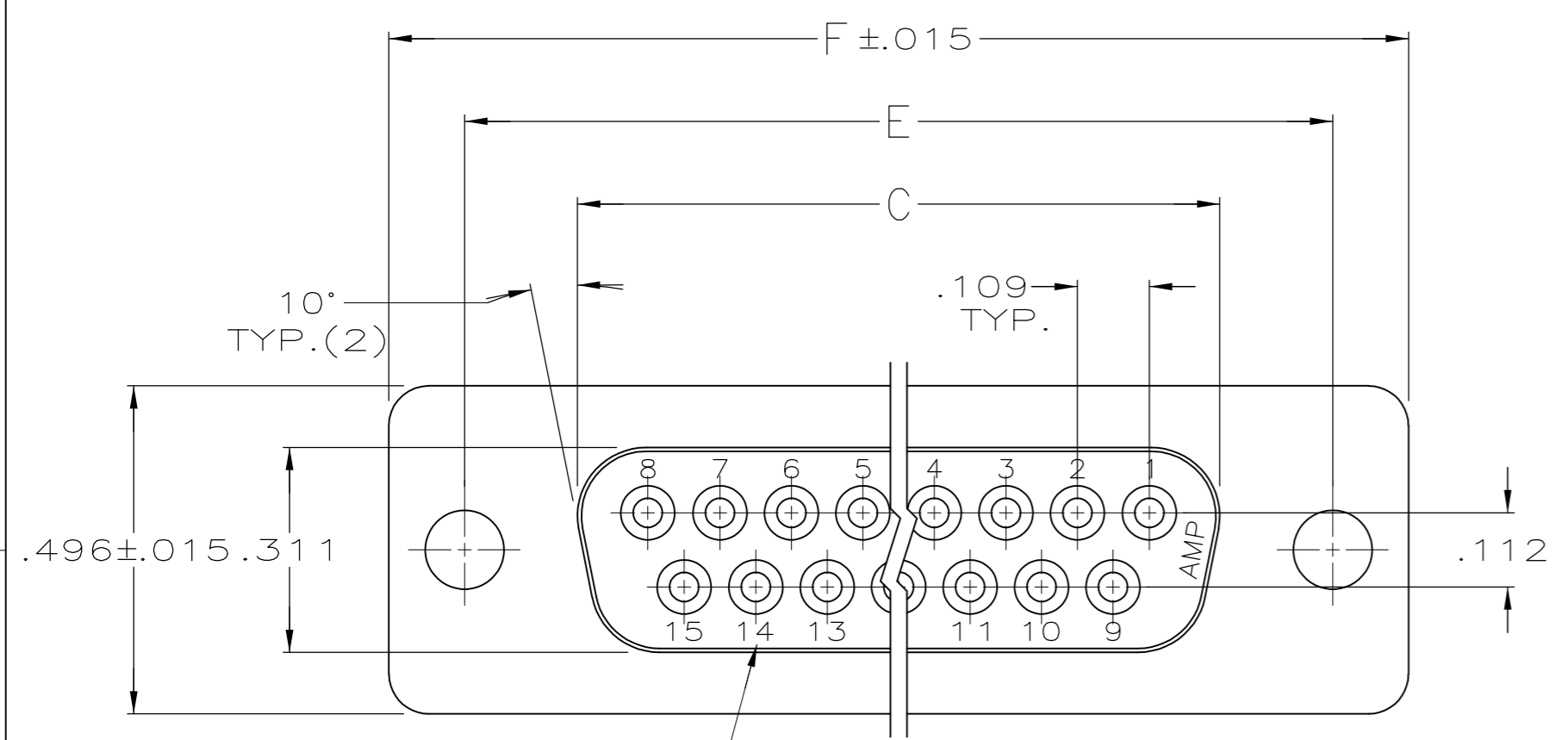
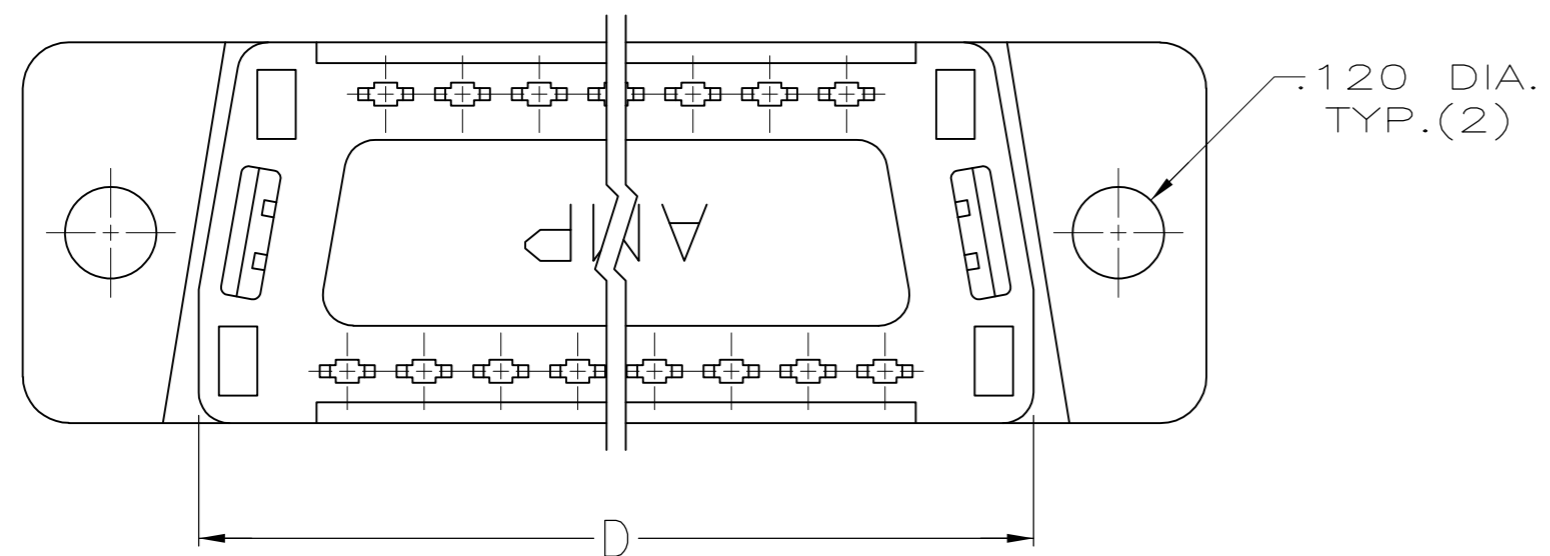
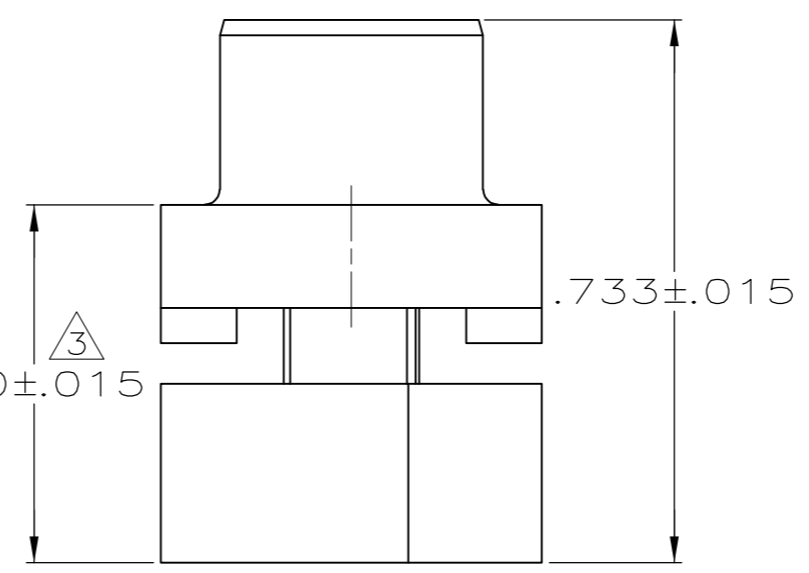
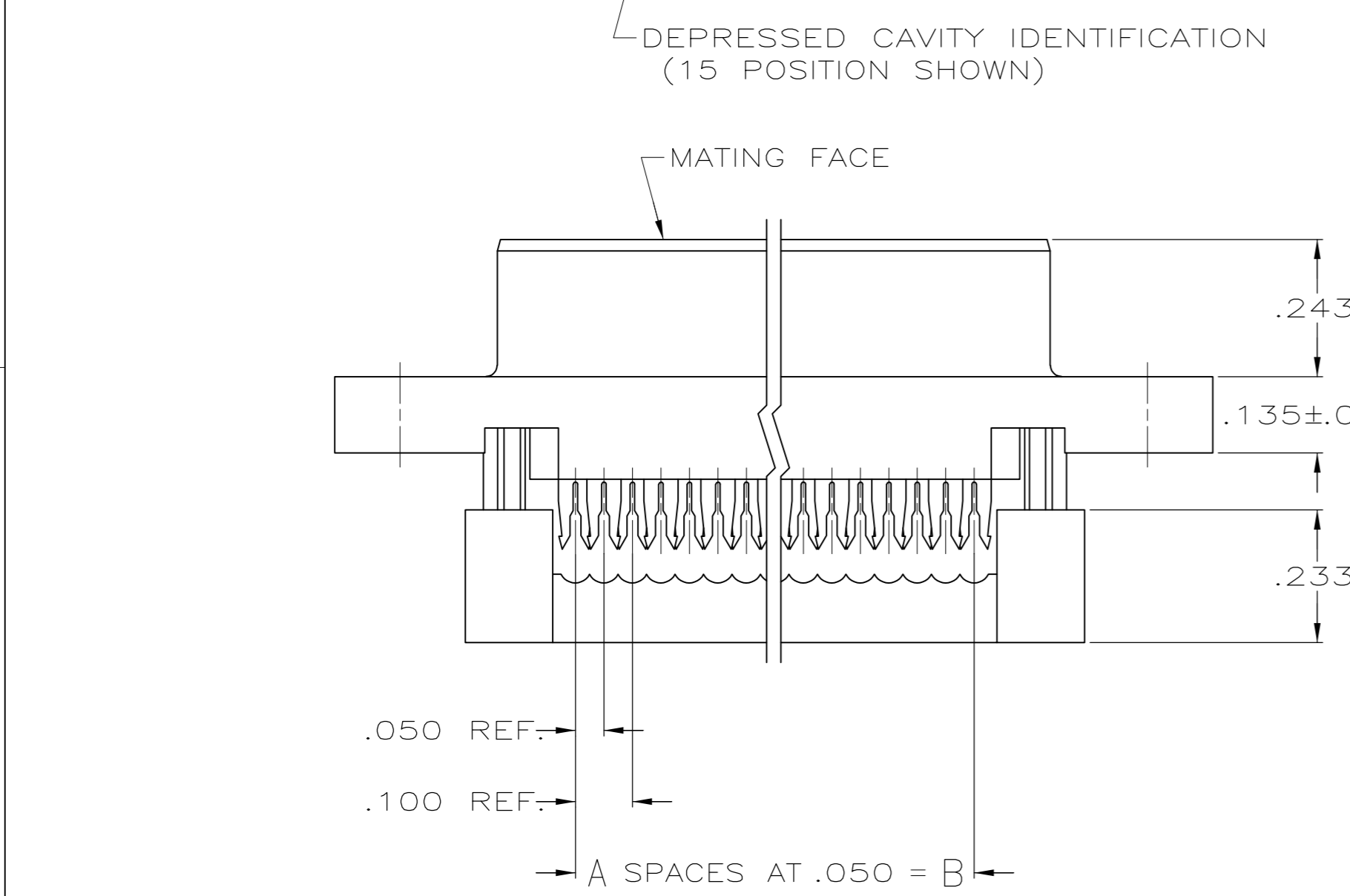


THIS DRAWING IS UNPUBLISHED. RELEASED FOR PUBLICATION
 © COPYRIGHT - By - ALL RIGHTS RESERVED.

LOC		DIST		REVISIONS			
P	LTR	DESCRIPTION		DATE	DWN	APVD	
GP	00	P		REVISED PER ECO-11-004835	11MAR11	RK HMR	



1. CONNECTORS COMPLY WITH AMP SPEC. 108-40,012 AND MATE WITH ANY SAME NUMBER POSITION PLUG CONNECTOR IN AMPLIMITE SERIES.
2. CONNECTOR DESIGNED FOR 28 AND 26 AWG STRANDED AND SOLID CONDUCTOR RIBBON CABLE ON $.050 \phi$.
3. DIMENSION APPLIES TO TERMINATED CONNECTOR.
4. MOLDED PARTS: FLAME RETARDANT 94V-0 RATED THERMOPLASTIC; COLOR: BLACK.
5. CONTACTS: PHOS. BRONZE PER QQ-B-750.
6. GOLD PLATING PER MIL-G-45204, TIN PLATING PER MIL-T-10727, NICKEL PLATING PER QQ-N-290
7. CONTACTS: PLATED WITH $.000030$ GOLD IN LOCALIZED GOLD PLATE AREA, $.000100 - .000200$ MATTE TIN ON TERMINATION END, ALL OVER $.000050$ NICKEL ON ENTIRE CONTACT.



1.216	.984	.759	.643	.400	8	9	1658614-4
1.541	1.312	1.087	.971	.700	14	15	1658614-3
2.090	1.852	1.623	1.511	1.200	24	25	1658614-2
2.732	2.500	2.275	2.159	1.800	36	37	1658614-1
F	E	D	C	B	A	NO.OF POS.	PART NUMBER

THIS DRAWING IS A CONTROLLED DOCUMENT.

DWN	L. BAUM	6/13/03
CHK	C. ROHDE	6/13/03
APVD	M. WALMSLEY	6/13/03

TE Connectivity

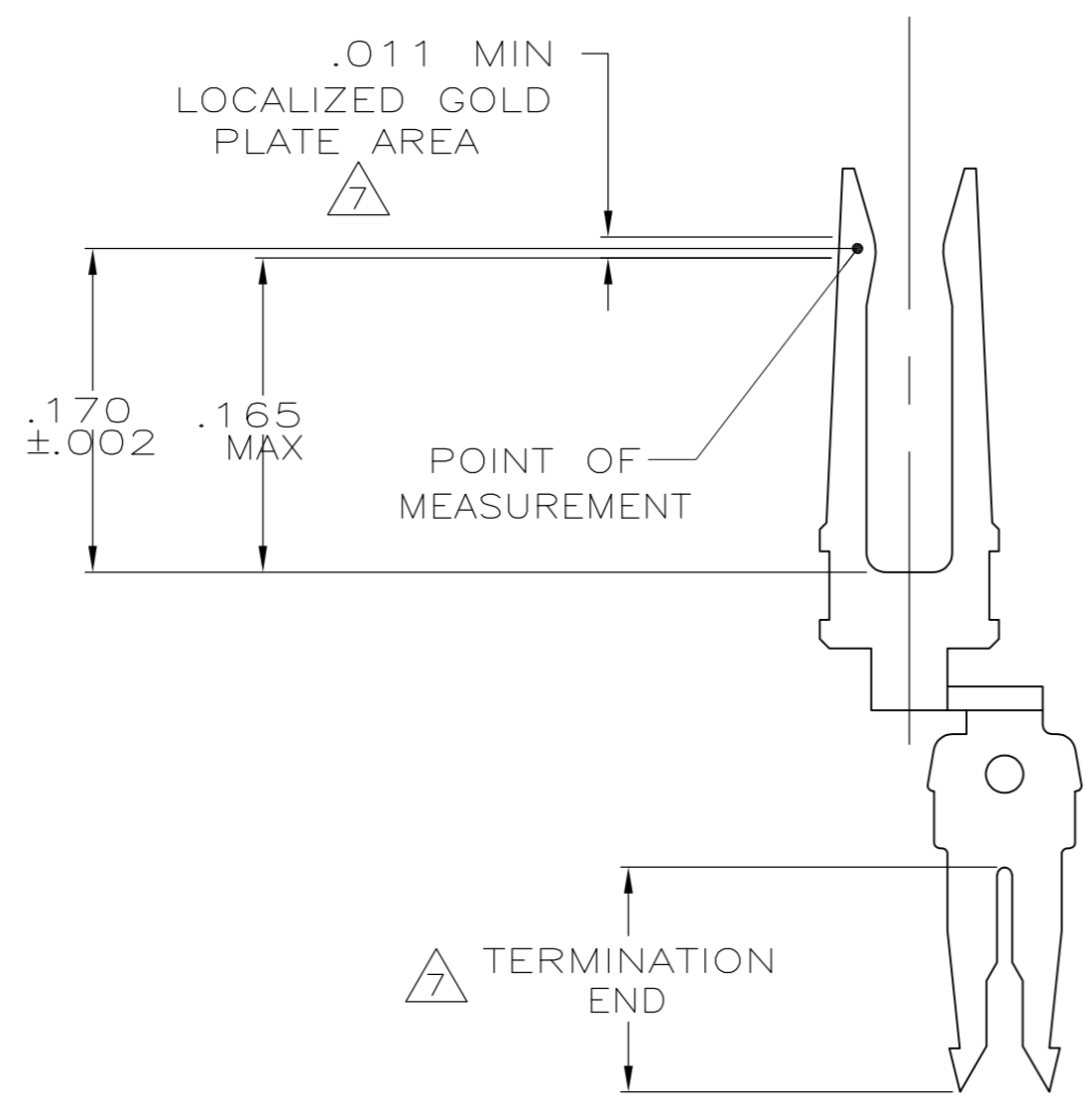
NAME: RECEPTACLE ASSEMBLY, LEAD-FREE, AMPLIMITE HDF

SIZE	CAGE CODE	DRAWING NO	RESTRICTED TO
A2	00779	C=1658614	-

SCALE: 4:1 SHEET: 1 of 2 REV: P

THIS DRAWING IS UNPUBLISHED. RELEASED FOR PUBLICATION
 © COPYRIGHT - By - ALL RIGHTS RESERVED.

LOC	DIST	REVISIONS					
GP	00	P	LTR	DESCRIPTION	DATE	DWN	APVD
		-	-	SEE SHEET 1	-	-	-



CONTACT DETAIL
 SCALE 10:1

THIS DRAWING IS A CONTROLLED DOCUMENT.		DWN	L. BAUM	6/13/03	TE TE Connectivity
DIMENSIONS: INCHES		CHK	C. ROHDE	6/13/03	
		APVD	M. WALMSLEY	6/13/03	
		TOLERANCES UNLESS OTHERWISE SPECIFIED:		NAME	
MATERIAL: SEE SHEET 1		FINISH: SEE SHEET 1		WEIGHT	-
SEE SHEET 1		SEE SHEET 1		SIZE	A2
CUSTOMER DRAWING		SCALE		4:1	SHEET
		CAGE CODE		00779	DRAWING NO
		DRAWING NO		C=1658614	RESTRICTED TO
		REV		P	

1658614