

CABLE PRINT BLACK:
MOLEX (MOLEX PN) MXYWW
(ACCORDING TO WN-00017)

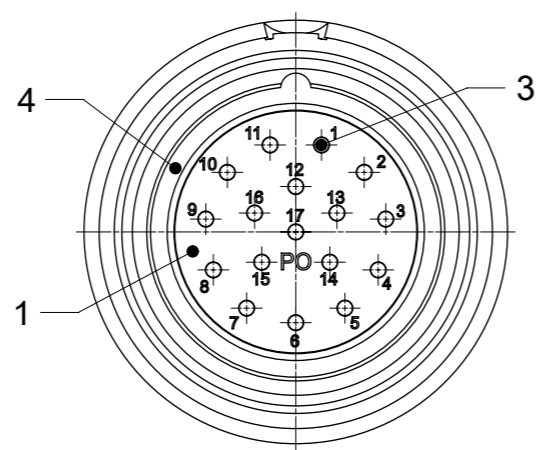
Technical Data:

Contact Ø [mm]	1
Nominal current [A]	4,5 (for 0.50mm ² and for 0.25mm ²) / 3 (for 0.14mm ²)
Nominal voltage [V~]	160
Degree of pollution	3
Test voltage [V~]	1000
Max. contact resistance [mΩ]	3
Insulation resistance [MΩ]	> 100
Protection	IP67 (connected)
Temperature range (fixed)	-40°C to 90°C
Temperature range (flex)	-25°C to 80°C

Further technical data see
Product Specification 1204900050
Electrical Test according to 1204900051

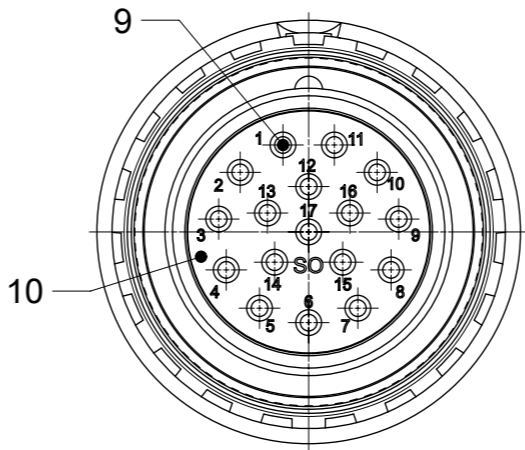
Packaging:
The cordsets delivered packed into Carton.

Connector pin assignment
Plug M23 17P MA

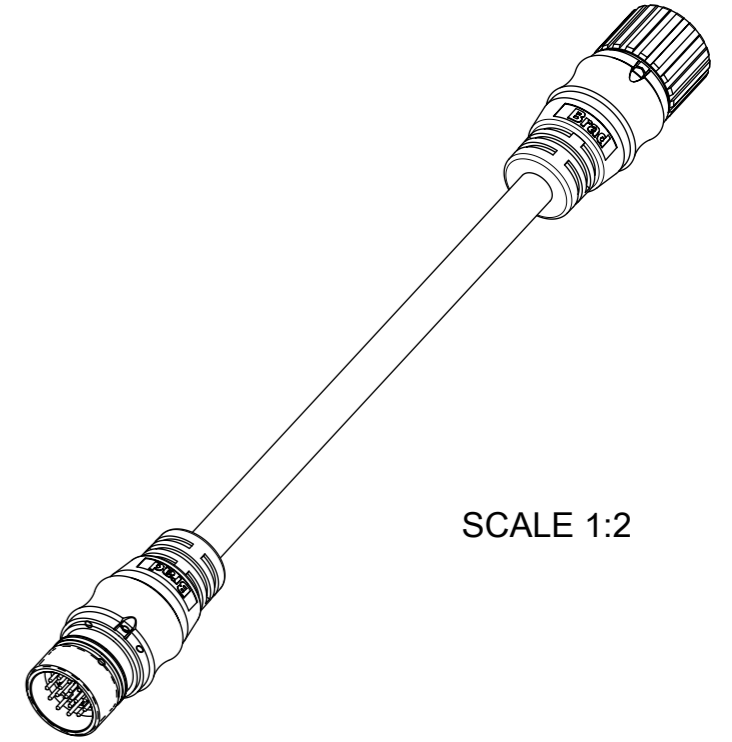


SCALE 2:1

Connector pin assignment
Plug M23 17P FE



SCALE 2:1



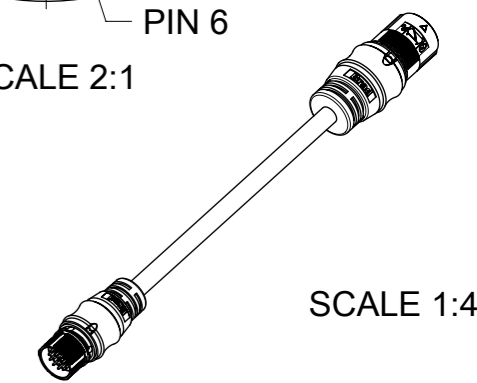
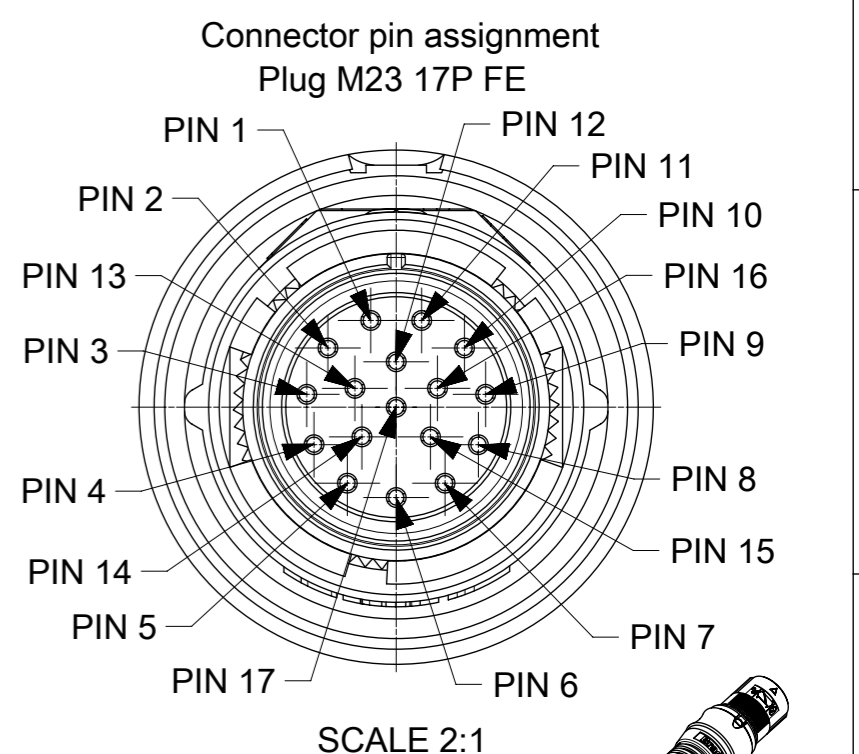
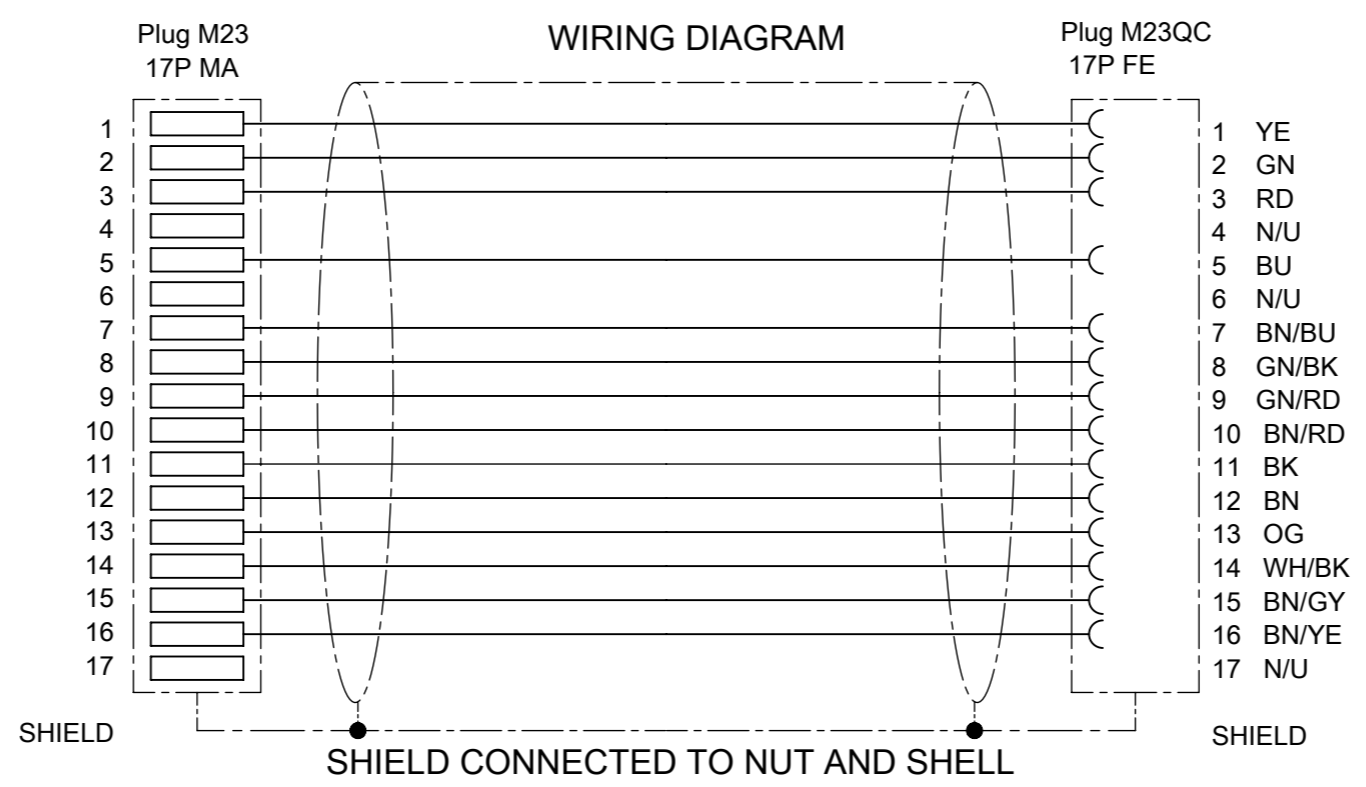
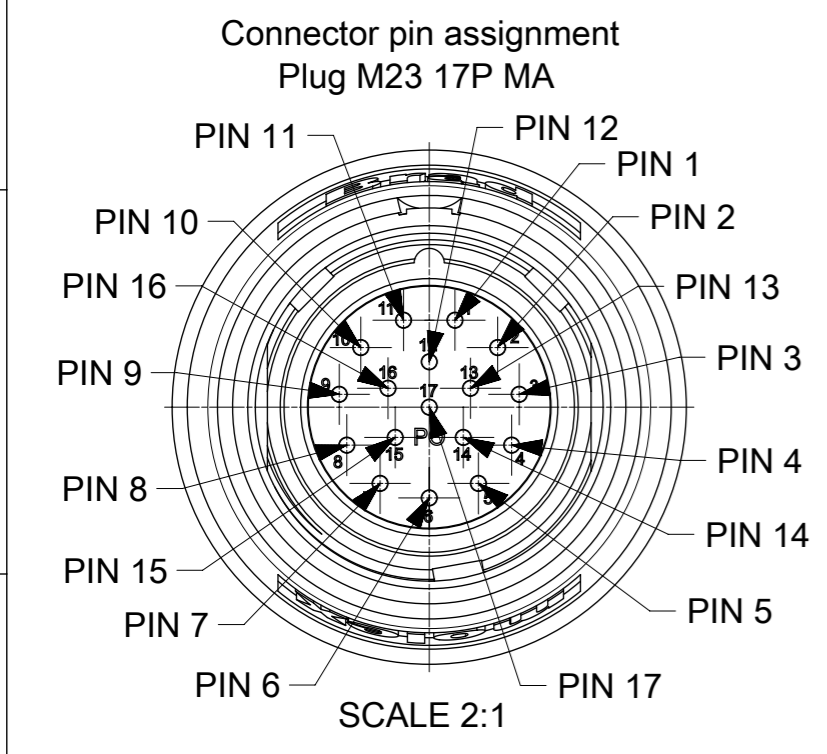
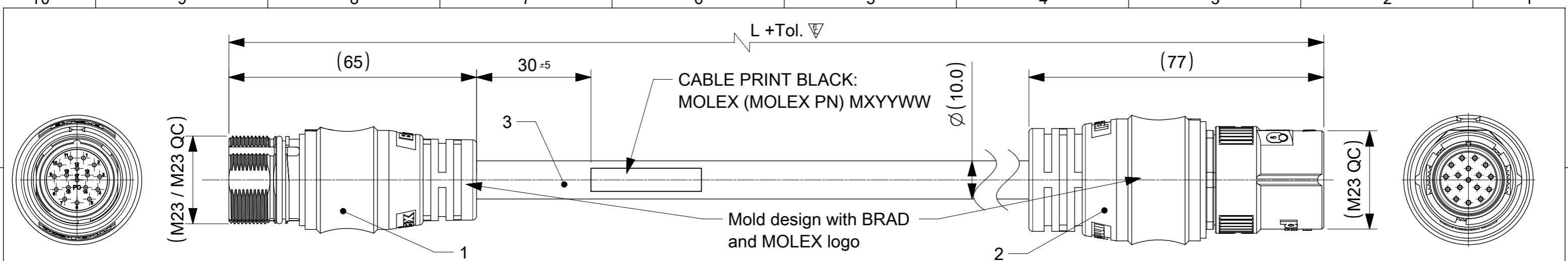
SCALE 1:2

TABLE 1

MOLEX PN	ENGINEERING No.	L [mm]	Tol. [mm]
1204900501	KKSJS30W10M010	1000	+40
1204900502	KKSJS30W10M020	2000	+60
1204900503	KKSJS30W10M030	3000	+60
1204900504	KKSJS30W10M040	4000	+60
1204900505	KKSJS30W10M050	5000	+60
1204900506	KKSJS30W10M100	10000	+80
1204900507	KKSJS30W10M150	15000	+140
1204900508	KKSJS30W10M200	20000	+140

DOCUMENT STATUS	P1	RELEASE DATE	2019/11/28	13:18:26
-----------------	----	--------------	------------	----------

SYMBOLS DIMENSION UNITS: mm SCALE: 1:1 GENERAL TOLERANCES (UNLESS SPECIFIED): ANGULAR TOL ± 1.0° 4 PLACES ± 3 PLACES ± 2 PLACES ± 0.05 1 PLACE ± 0.3 0 PLACES ± 0.5 DRAFT WHERE APPLICABLE MUST REMAIN WITHIN DIMENSIONS	THIS DRAWING CONTAINS INFORMATION THAT IS PROPRIETARY TO MOLEX ELECTRONIC TECHNOLOGIES, LLC AND SHOULD NOT BE USED WITHOUT WRITTEN PERMISSION		CURRENT REV DESC: EC NO: 628246 DRWN: SSM 2019/11/27 CHK'D: RSILLER 2019/11/28 APPR: RSILLER 2019/11/28			
	PRODUCT CUSTOMER DRAWING					
	INITIAL REVISION: DRWN: FGAIK 2016/12/15 APPR: RSILLER 2017/02/02		DOCUMENT NUMBER: 1204900501	DOC TYPE: PSD	DOC PART: 000	REVISION: A3
	THIRD ANGLE PROJECTION	DRAWING: A3-SIZE	SERIES: 120490	MATERIAL NUMBER: SEE TABLE 1	CUSTOMER: GENERAL MARKET	SHEET NUMBER: 1 OF 2



Technical Data:

Number of positions	17
Number of contacts	17
Contact Ø [mm]	1
Nominal current [A]	9 (for 0.50 mm ²) 4.5 (for 0.25 mm ²) 3 (for 0.14 mm ²)

Nominal voltage [V~]	160
Degree of pollution 3	
Test voltage [V~]	1500
Max. contact resistance [mΩ]	3
Insulation resistance [MΩ]	>10 ¹⁰
Protection	IP67 (connected)
Temperature range (fixed)	-40°C to 90°C
Temperature range (flex)	-25°C to 80°C

Further details see Product Specification 1204900050
The cordsets delivered packed into carton without PE-bag

TABLE 1

MOLEX PN	L [mm]	Tol. [mm]
1204900501	1000	+40
1204900502	2000	+60
1204900503	3000	+60
1204900504	4000	+60
1204900505	5000	+60
1204900506	10000	+80
1204900507	15000	+140
1204900508	20000	+140

TABLE 2

ITEM	QTY	DESCRIPTION
1	1	PLG M23 17P SC MA STR SHLD
2	1	PLG M23QC 17P FE STR SHLD
3	-	CABLE 3X(2X0.14)+2X0.50+4X0.14+4X0.25 WS

THIS DRAWING CONTAINS INFORMATION THAT IS PROPRIETARY TO MOLEX ELECTRONIC TECHNOLOGIES, LLC AND SHOULD NOT BE USED WITHOUT WRITTEN PERMISSION

SYMBOLS	DIMENSION UNITS	SCALE	CURRENT REV DESC:					
▽ = 0	mm	1:1	EC NO: 625960					
▽ = 1	GENERAL TOLERANCES (UNLESS SPECIFIED)		DRWN: THAERDT	2019/10/21	CSE M23QC 17P SC MA STR WSOR FE 1XM SHLD			
▽ = 0	ANGULAR TOL ± 1.0°		CHK'D: RSILLER	2019/11/21				
▽ = 0	4 PLACES ±		APPR: RSILLER	2019/11/21				
▽ = 0	3 PLACES ±		INITIAL REVISION:					
▽ = 0	2 PLACES ± 0.05		DRWN: MSCHERER	2018/06/29	DOCUMENT NUMBER	DOC TYPE	DOC PART	REVISION
▽ = 0	1 PLACE ± 0.3		APPR: RSILLER	2019/11/21	1204901575	PSD	000	A
▽ = 0	0 PLACES ± 0.5		THIRD ANGLE PROJECTION			MATERIAL NUMBER	CUSTOMER	SHEET NUMBER
▽ = 0	DRAFT WHERE APPLICABLE MUST REMAIN WITHIN DIMENSIONS		DRAWING	SERIES	120490	SEE TABLE 1	GENERAL MARKET	1 OF 1