

| PART NUMBER | REVISION | DESCRIPTION                      | FEED TYPE  |
|-------------|----------|----------------------------------|------------|
| 2151967-1   | E        | FINE CRIMP HEIGHT ADJUST         | MECHANICAL |
| 2151967-2   | E        | FINE CRIMP HEIGHT ADJUST         | PNEUMATIC  |
| 7-2151967-1 | E        | MECHANICAL AND CRIMP TOOLING KIT | MECHANICAL |
| 7-2151967-2 | E        | PNEUMATIC AND CRIMP TOOLING KIT  | PNEUMATIC  |
| 7-2151967-7 | A        | CRIMP TOOLING KIT                | -          |

ATLANTIC VERSION TERMINATOR INTERFACE ADAPTER



| APPLICATOR DATA |                |      |
|-----------------|----------------|------|
| CRIMP           | SIZE           | TYPE |
| WIRE            | 1.07 mm [.042] | F    |
| INSUL           | 1.57 mm [.062] | O    |

APPLICATOR INSTRUCTIONS  
408-35042

| TERMINAL DATA: TE TERMINAL         |             | TE CRIMP SPECIFICATION       |             |
|------------------------------------|-------------|------------------------------|-------------|
| TERMINAL NAME: CONTACT, TWIN LEAF  |             |                              |             |
| WIRE STRIP LENGTH                  |             | INSULATION DIAMETER RANGE    |             |
| .125-.156 IN [3.18-3.96 mm]        |             | Ø.035-.055 IN [0.89-1.40 mm] |             |
| TERMINAL APPLICATION SPECIFICATION | 114-9004    |                              |             |
| TERMINALS APPLIED                  |             |                              |             |
| TE TERMINAL                        | TE TERMINAL | TE TERMINAL                  | TE TERMINAL |
| 583616-1                           | 583616-8    | 5-583616-3                   | 531476-4    |
| 583616-2                           | 1-583616-0  | 531476-1                     | 5-531476-4  |
| 583616-3                           | 5-583616-2  | 531476-2                     |             |

| WIRE SIZE | CRIMP HEIGHT mm [INCH]     | CRIMP HEIGHT REFERENCE SETTING |
|-----------|----------------------------|--------------------------------|
| 24 AWG    | 0.92+/-0.05 [.036+/- .002] | 8.8                            |
| 26 AWG    | 0.86+/-0.05 [.034+/- .002] | 9.4                            |
| 28 AWG    | 0.81+/-0.05 [.032+/- .002] | 9.8                            |

- 1. RECOMMENDED SPARE PARTS
- 2. REFER TO SUPPLIED INSTRUCTION SHEET FOR CLEANING, LUBRICATION AND STORAGE OF APPLICATOR.
- 3. APPLY PART NUMBER 2-23419-6 LOCTITE TO THREADS OF ITEM 242.
- 4. CRIMP HEIGHT REFERENCE SETTING WAS THE SETTING USED WHEN THE APPLICATOR WAS QUALIFIED AT THE FACTORY. ADJUSTMENT MAY BE NECESSARY WHEN RUNNING APPLICATOR IN THE FIELD.
- 5. UNLESS SPECIFIED OTHERWISE TORQUE VALUES SHALL BE USED PER DOCUMENT, 101-35000.
- 6. GRIND TO LENGTH AT ASSEMBLY.
- 7. TERMINAL LUBRICANT IS RECOMMENDED.

**\*WARNING**  
ON INSTALLATION, SET WIRE DISC TO CRIMP HEIGHT REFERENCE SETTING FOR LARGEST WIRE SIZE. CRIMP HEIGHT REFERENCE SETTINGS GREATER THAN THE VALUE SHOWN MAY CAUSE DAMAGE TO THE CRIMP TOOLING, REFER TO THE INSTRUCTION SHEET FOR PROPER SETUP AND ADJUSTMENTS.

ATLANTIC VERSION  
Shown on sheets 1 of 4 & 2 of 4  
(Pacific version shown on sheets 3 of 4 & 4 of 4)

| LOC | DIST | REVISIONS |     |               |           |     |      |
|-----|------|-----------|-----|---------------|-----------|-----|------|
| A   | 66   | P         | LTN | DESCRIPTION   | DATE      | OWN | APVD |
|     |      | B         |     | ECR-19-006381 | 19APR2019 | FJ  | TE   |
|     |      | C         |     | ECR-19-007054 | 02MAY2019 | TB  | TE   |
|     |      | D         |     | ECR-22-133757 | 24MAR2022 | TB  | RK   |
|     |      | E         |     | ECR-22-137767 | 02MAY2022 | JWC | TE   |

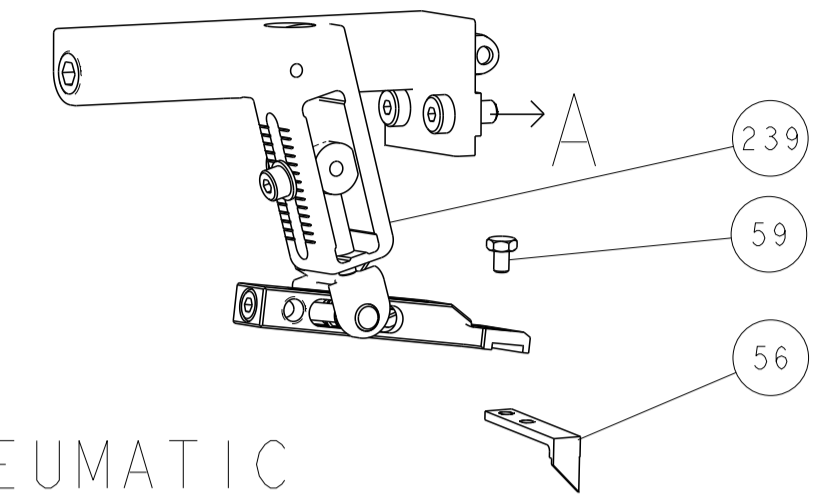
|   |     |     |     |     |             |                                     |             |         |
|---|-----|-----|-----|-----|-------------|-------------------------------------|-------------|---------|
| - | 1   | 1   | 1   | 1   | 2280441-1   | INSERT, SHEAR                       | 283         |         |
| - | 1   | -   | 1   | -   | 2119641-1   | FEED CAM, AIR FEED                  | 248         |         |
| - | 1   | 1   | 1   | 1   | 2119082-9   | CAM, SNAIL, INSULATION ADJUSTMENT   | 244         |         |
| - | 1   | 1   | 1   | 1   | 2079764-1   | WASHER, WAVE SPRING, CREST-TO-CREST | 243         |         |
| - | 1   | 1   | 1   | 1   | 2119083-1   | RETAINER, INSULATION DIAL           | 242         |         |
| - | 2   | 2   | 2   | 2   | 7-18023-7   | SCR, SKT HD CAP M3 X 4.0            | 241         |         |
| - | -   | 1   | -   | 1   | 2119580-1   | MECHANICAL FEED ASSEMBLY            | 239         |         |
| - | 1   | -   | 1   | -   | 2844940-1   | AIR FEED MODULE                     | 238         |         |
| - | 1   | 1   | 1   | 1   | 356885-4    | STOP, SHEAR                         | 237         |         |
| - | REF | REF | REF | REF | 994970-2    | COUNTER, MAGNETIC                   | 164         |         |
| - | 1   | 1   | 1   | 1   | 2119955-1   | ASSY, LUBRICATOR, SIDE FEED         | 113         |         |
| - | 1   | 1   | 1   | 1   | 2844908-1   | SCREW, LOCKING                      | 99          |         |
| - | 1   | 1   | 1   | 1   | 2844907-1   | POST, LOCKING                       | 98          |         |
| - | 1   | 1   | 1   | 1   | 455888-5    | SPACER, CRIMPER                     | 82          |         |
| - | 1   | 1   | 1   | 1   | 3-240641-0  | SPACER                              | 81          |         |
| - | 1   | 1   | 1   | 1   | 1803607-3   | DOCUMENTATION PACKAGE               | 71          |         |
| - | 1   | 1   | 1   | 1   | 2119740-1   | TAG, IDENTIFICATION                 | 67          |         |
| - | 2   | 2   | 2   | 2   | 2168078-1   | SCREW, DRIVE, RH, RoHS, 2 x .188    | 66          |         |
| - | 1   | 1   | 1   | 1   | 2168083-2   | SCR, SKT HD CAP, RoHS, M4 X 8.0     | 60          |         |
| - | 1   | 1   | 1   | 1   | 5-18022-5   | SCR, HEX HD CAP, M4 X 6.0           | 59          |         |
| - | 1   | 1   | 1   | 1   | 1338685-1   | PAWL, FEED                          | 56          |         |
| - | 4   | 4   | 4   | 4   | 2168083-3   | SCR, SKT HD CAP, RoHS, M4 X 12.0    | 54          |         |
| - | 2   | 2   | 2   | 2   | 2168083-9   | SCR, SKT HD CAP, RoHS, M4 X 20      | 53          |         |
| - | 1   | 1   | 1   | 1   | 1803382-6   | HOLD DOWN, SPRING LOADED            | 50          |         |
| - | 1   | 2   | 1   | 2   | 18023-9     | SCR, SKT HD CAP M4 X 6.0            | 49          |         |
| - | -   | 1   | -   | 1   | 2119652-1   | FEED CAM, PRE FEED                  | 48          |         |
| - | -   | 1   | -   | 1   | 2119653-1   | FEED CAM, POST FEED                 | 47          |         |
| - | 1   | 1   | 1   | 1   | 1803583-9   | APPLICATOR BASIC ASSEMBLY, SF       | 46          |         |
| - | 1   | 1   | 1   | 1   | 1803515-1   | RAM ASSEMBLY, SF ATLANTIC           | 44          |         |
| - | 1   | 1   | 1   | 1   | 1803602-1   | SCR, BHSC, RoHS (M8 X 25)           | 41          |         |
| - | 2   | 2   | 2   | 2   | 2079383-5   | SCR, BHSC, RoHS (M4 X 20)           | 33          |         |
| - | 2   | 2   | 2   | 2   | 2-2844962-6 | SPACER, CYLINDRICAL, STRIP GUIDE    | 30          |         |
| - | 1   | 1   | 1   | 1   | 2844992-1   | ASSEMBLY, STRIP GUIDE               | 29          |         |
| - | 1   | 1   | 1   | 1   | 1-455888-0  | SPACER, CRIMPER                     | 28          |         |
| - | 1   | 1   | 1   | 1   | 1320928-2   | STRIP GUIDE                         | 24          |         |
| - | 1   | 1   | 1   | 1   | 2168083-2   | SCR, SKT HD CAP, RoHS, M4 X 8.0     | 21          |         |
| - | 2   | 2   | 2   | 2   | 1-18028-2   | WASHER, FLAT, REG M4                | 20          |         |
| - | 1   | 1   | 1   | 1   | 2119533-1   | STRIPPER, SIDE FEED                 | 19          |         |
| - | 1   | 1   | 1   | 1   | 690463-1    | FLOATING SHEAR, REAR                | 17          |         |
| - | 2   | 2   | 2   | 2   | 1-2168083-1 | SCR, SKT HD CAP, RoHS, M3 X 6       | 16          |         |
| - | 1   | 1   | 1   | 1   | 690464-4    | SHEAR PLATE, REAR                   | 15          |         |
| - | 1   | 1   | 1   | 1   | 2119862-1   | SHEAR HOLDER, REAR                  | 14          |         |
| - | 1   | 1   | 1   | 1   | 2119806-1   | INSERT, SHEAR                       | 13          |         |
| - | 2   | 2   | 2   | 2   | 3-22280-3   | SPRING, COMPRESSION                 | 12          |         |
| - | 1   | 1   | 1   | 1   | 1-356885-4  | STOP, SHEAR                         | 11          |         |
| - | 1   | 1   | 1   | 1   | 2119805-1   | SHEAR HOLDER, FRONT                 | 10          |         |
| - | 1   | 1   | 1   | 1   | 1803095-1   | FLOATING SHEAR, FRONT               | 9           |         |
| - | 1   | 2   | 2   | 1   | 1-1803057-2 | ANVIL, COMBINATION                  | 8           |         |
| - | -   | -   | -   | -   | -           | -                                   | 7           |         |
| - | 1   | 1   | 1   | 1   | 690468-2    | DEPRESSOR SHEAR, REAR               | 6           |         |
| - | 1   | 1   | 1   | 1   | 2119757-4   | DEPRESSOR, SHEAR                    | 5           |         |
| - | 1   | 1   | 1   | 1   | 2-238011-2  | BLOCK, CRIMPER SPACER               | 4           |         |
| - | 1   | 2   | 2   | 1   | 1-2119784-3 | CRIMPER, INSULATION O PREMIUM       | 3           |         |
| - | 1   | 1   | 1   | 1   | 455888-3    | SPACER, CRIMPER                     | 2           |         |
| - | 1   | 2   | 2   | 1   | 456401-1    | CRIMPER, WIRE .042 F PREMIUM        | 1           |         |
| - | 77  | 72  | 71  | 2   | -1          | PART NO                             | DESCRIPTION | ITEM NO |

| DIMENSIONS: |          | TOLERANCES UNLESS OTHERWISE SPECIFIED: |         | MATERIAL: |         |
|-------------|----------|--|---------|-----------|---------|
| mm          | 0 PLC ±  | 1 PLC ±                                | 2 PLC ± | 3 PLC ±   | 4 PLC ± |
|             | ANGLES ± | FINISH                                 |         |           |         |

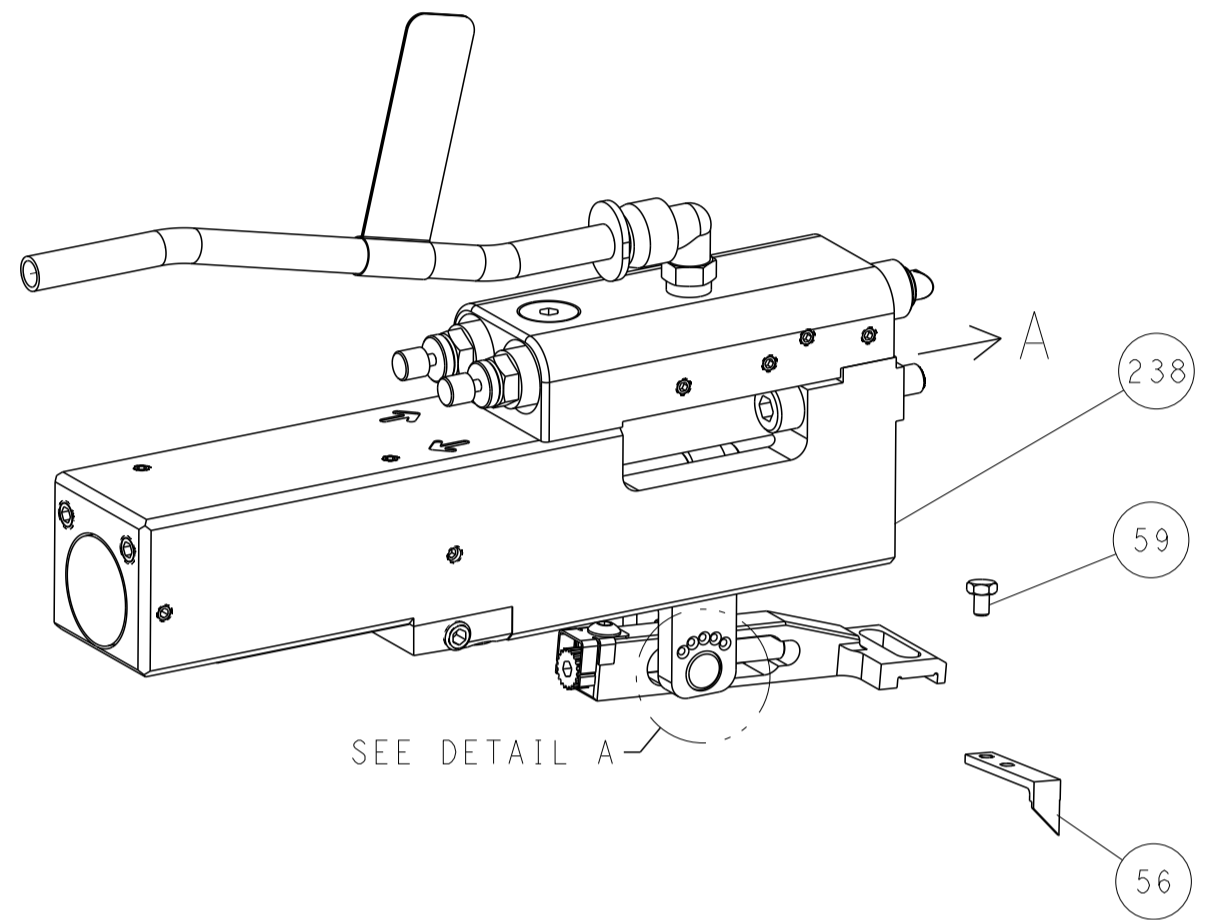
|  |           |          |           |                            |      |           |            |                              |
|--|-----------|----------|-----------|----------------------------|------|-----------|------------|------------------------------|
| OWN                                    | CHK       | APVD     | DATE      | NAME                       | SIZE | CAGE CODE | DRAWING NO | RESTRICTED TO                |
| J. STAKEM                              | G. BAILEY | T. ELBIN | 29MAY2013 | Ocean Side Feed Applicator | A1   | 00779     | 2151967    |                              |
| Customer Accessible Production Drawing |           |          |           |                            |      |           |            | SCALE 1:2 SHEET 1 OF 4 REV E |

| LOC |    | DIST |     | REVISIONS   |      |     |      |
|-----|----|------|-----|-------------|------|-----|------|
| A   | 66 | P    | LYN | DESCRIPTION | DATE | OWN | APVD |
|     |    | -    |     | SEE SHEET 1 | -    | -   | -    |
|     |    |      |     |             |      |     |      |
|     |    |      |     |             |      |     |      |

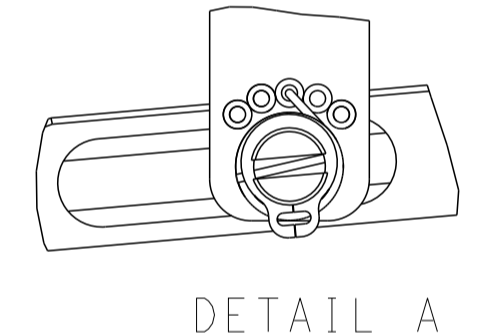
# FEED TYPE MECHANICAL



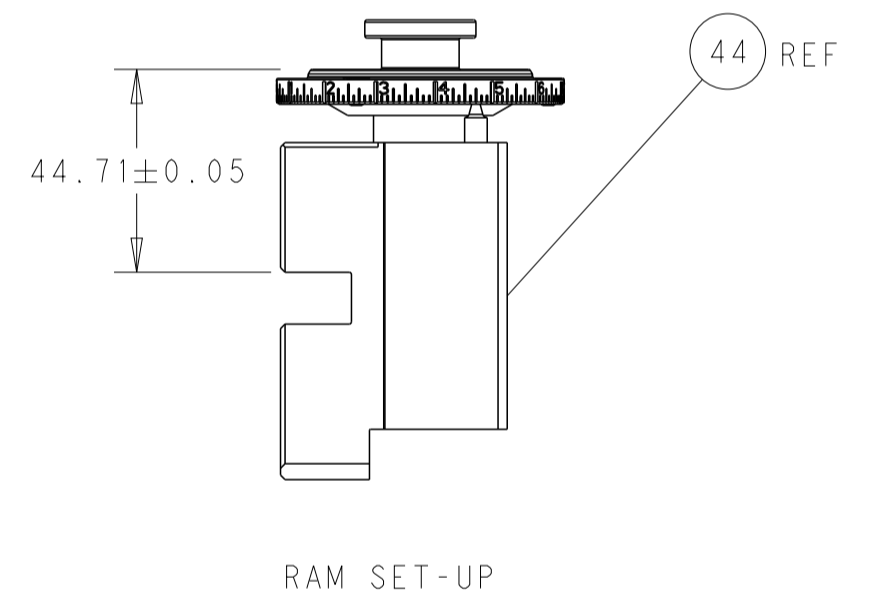
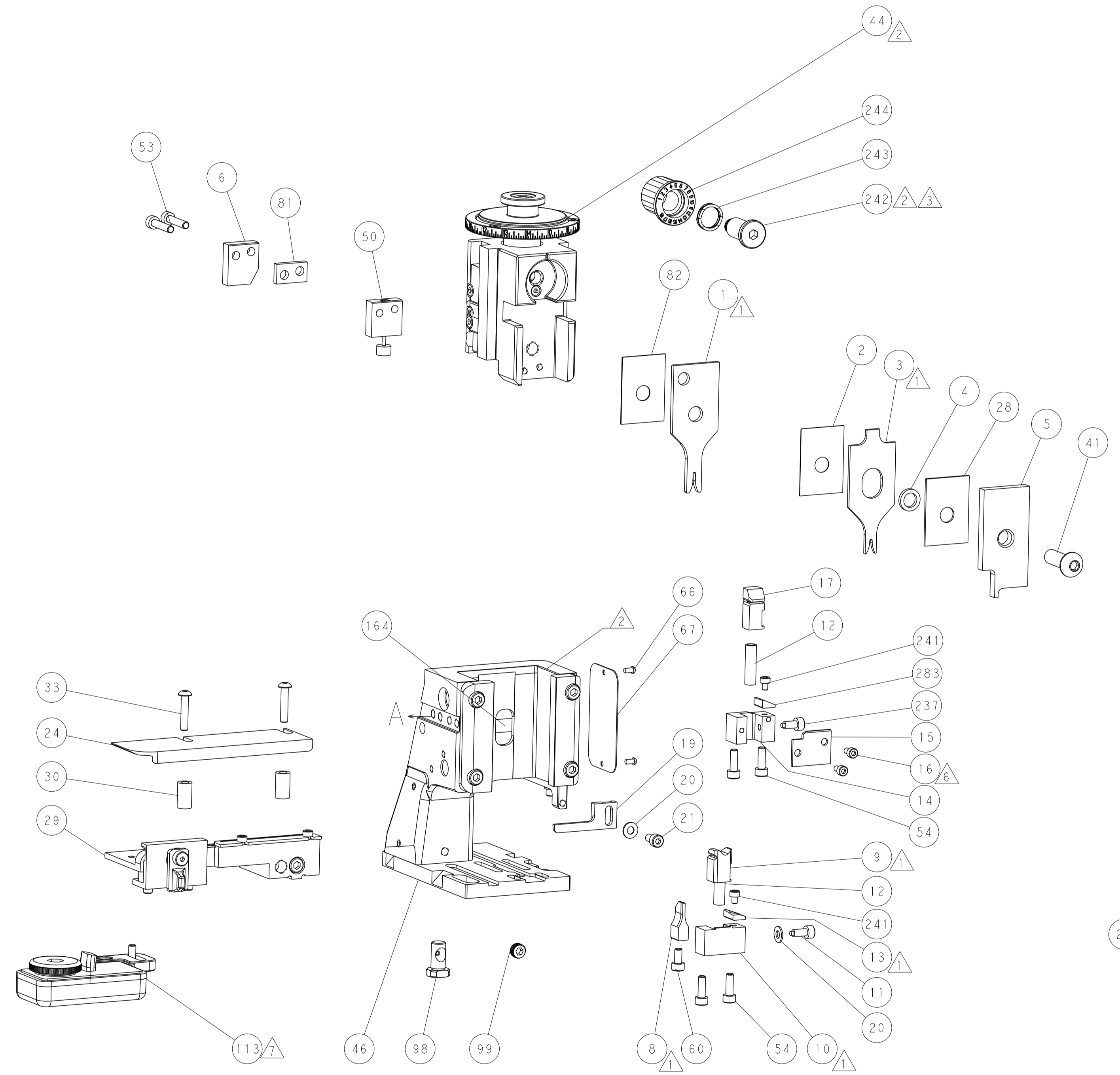
## PNEUMATIC



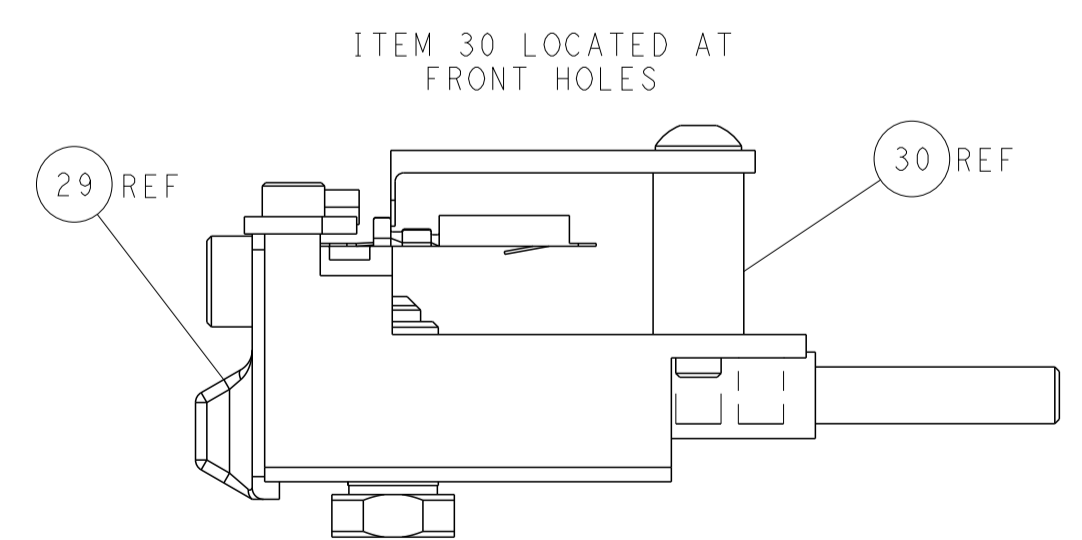
FEED SPRING SETTING POSITION  
(SHOWN FROM REAR SIDE)



DETAIL A

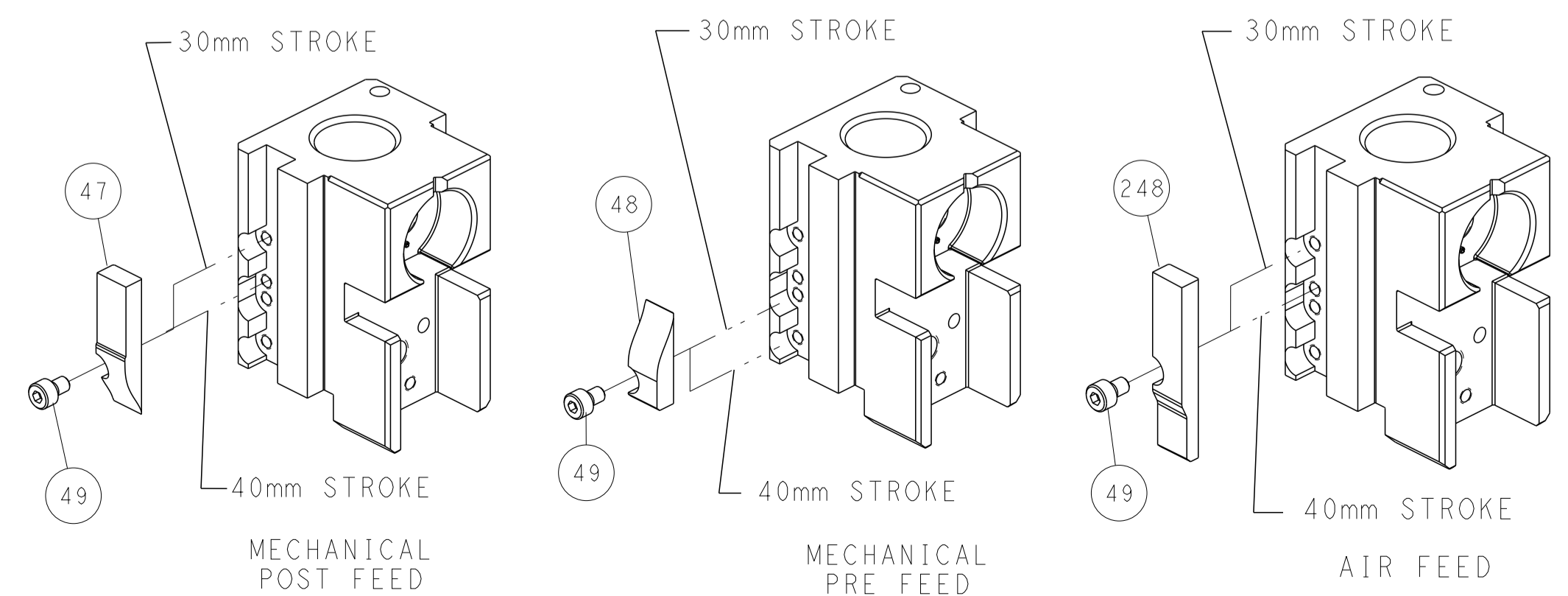


RAM SET-UP



FEED TRACK POSITION GUIDE BY INSULATION BARREL

# CAM POSITIONS



**ATLANTIC VERSION**  
 Shown on sheets 1 of 4 & 2 of 4  
 (Pacific version shown on sheets 3 of 4 & 4 of 4)

|             |         |  |         |  |         |                                  |  |
|-------------|---------|--|---------|--|---------|----------------------------------|--|
| DIMENSIONS: |         | TOLERANCES UNLESS OTHERWISE SPECIFIED: |         | DWG: STAKEM 29MAY2013                  |         | TE Connectivity                  |  |
| mm          | 0 PLC ± | 1 PLC ±                                | 2 PLC ± | 3 PLC ±                                | 4 PLC ± | Harrisburg, PA 17105-3608        |  |
| MATERIAL:   |         | FINISH:                                |         | CHK: G. BAILEY 29MAY2013               |         | NAME: Ocean Side Feed Applicator |  |
|             |         |  |         | APVD: T. ELBIN 29MAY2013               |         | SIZE: A1                         |  |
|             |         |  |         | PRODUCT SPEC:                          |         | CAGE CODE: 00779                 |  |
|             |         |  |         | APPLICATION SPEC:                      |         | DRAWING NO: 2151967              |  |
|             |         |  |         | WEIGHT:                                |         | SCALE: 1:2                       |  |
|             |         |  |         | Customer Accessible Production Drawing |         | SHEET 2 OF 4                     |  |
|             |         |  |         |  |         | REV E                            |  |

| PART NUMBER | REVISION | DESCRIPTION              | FEED TYPE  |
|-------------|----------|--------------------------|------------|
| 2-2151967-1 | E        | FINE CRIMP HEIGHT ADJUST | MECHANICAL |
| 2-2151967-2 | E        | FINE CRIMP HEIGHT ADJUST | PNEUMATIC  |
| 7-2151967-7 | A        | CRIMP TOOLING KIT        | -          |

PACIFIC VERSION TERMINATOR  
INTERFACE ADAPTER



| APPLICATOR DATA |                |      |
|-----------------|----------------|------|
| CRIMP           | SIZE           | TYPE |
| WIRE            | 1.07 mm [.042] | F    |
| INSUL           | 1.57 mm [.062] | O    |

APPLICATOR INSTRUCTIONS  
408-35042

| TERMINAL DATA: TE TERMINAL         |             | TE CRIMP SPECIFICATION       |             |
|------------------------------------|-------------|------------------------------|-------------|
| TERMINAL NAME: CONTACT, TWIN LEAF  |             |                              |             |
| WIRE STRIP LENGTH                  |             | INSULATION DIAMETER RANGE    |             |
| .125-.156 IN [3.18-3.96 mm]        |             | ∅.035-.055 IN [0.89-1.40 mm] |             |
| TERMINAL APPLICATION SPECIFICATION | 114-9004    |                              |             |
| TERMINALS APPLIED                  |             |                              |             |
| TE TERMINAL                        | TE TERMINAL | TE TERMINAL                  | TE TERMINAL |
| 583616-1                           | 583616-8    | 5-583616-3                   | 531476-4    |
| 583616-2                           | 1-583616-0  | 531476-1                     | 5-531476-4  |
| 583616-3                           | 5-583616-2  | 531476-2                     |             |

| WIRE SIZE | CRIMP HEIGHT mm [INCH]        | CRIMP HEIGHT REFERENCE SETTING |
|-----------|-------------------------------|--------------------------------|
| 24 AWG    | 0.92 +/- 0.05 [.036 +/- .002] | 8.8                            |
| 26 AWG    | 0.86 +/- 0.05 [.034 +/- .002] | 9.4                            |
| 28 AWG    | 0.81 +/- 0.05 [.032 +/- .002] | 9.8                            |

- 1 RECOMMENDED SPARE PARTS
- 2 REFER TO SUPPLIED INSTRUCTION SHEET FOR CLEANING, LUBRICATION AND STORAGE OF APPLICATOR.
- 3 APPLY PART NUMBER 2-23419-6 LOCTITE TO THREADS OF ITEM 242.
- 4 CRIMP HEIGHT REFERENCE SETTING WAS THE SETTING USED WHEN THE APPLICATOR WAS QUALIFIED AT THE FACTORY. ADJUSTMENT MAY BE NECESSARY WHEN RUNNING APPLICATOR IN THE FIELD.
- 5. UNLESS SPECIFIED OTHERWISE TORQUE VALUES SHALL BE USED PER DOCUMENT, 101-35000.
- 6 GRIND TO LENGTH AT ASSEMBLY.
- 7 TERMINAL LUBRICANT IS RECOMMENDED.

**\*WARNING**  
ON INSTALLATION, SET WIRE DISC TO CRIMP HEIGHT REFERENCE SETTING FOR LARGEST WIRE SIZE. CRIMP HEIGHT REFERENCE SETTINGS GREATER THAN THE VALUE SHOWN MAY CAUSE DAMAGE TO THE CRIMP TOOLING, REFER TO THE INSTRUCTION SHEET FOR PROPER SETUP AND ADJUSTMENTS.

| LOC | DIST | REVISIONS |     |             |      |     |      |
|-----|------|-----------|-----|-------------|------|-----|------|
| A   | 66   | P         | LTN | DESCRIPTION | DATE | OWN | APVD |
| -   | -    | -         | -   | SEE SHEET 1 | -    | -   | -    |

|   |     |     |             |                                     |     |
|---|-----|-----|-------------|-------------------------------------|-----|
| - | 1   | 1   | 2280441-1   | INSERT, SHEAR                       | 283 |
| - | 1   | 1   | 2119082-9   | CAM, SNAIL, INSULATION ADJUSTMENT   | 244 |
| - | 1   | 1   | 2079764-1   | WASHER, WAVE SPRING, CREST-TO-CREST | 243 |
| - | 1   | 1   | 2119083-1   | RETAINER, INSULATION DIAL           | 242 |
| - | 2   | 2   | 7-18023-7   | SCR, SKT HD CAP M3 X 4.0            | 241 |
| - | -   | 1   | 2119580-1   | MECHANICAL FEED ASSEMBLY            | 239 |
| - | 1   | -   | 2844940-1   | AIR FEED MODULE                     | 238 |
| - | 1   | 1   | 356885-4    | STOP, SHEAR                         | 237 |
| - | REF | REF | 994970-2    | COUNTER, MAGNETIC                   | 164 |
| - | 1   | -   | 2119641-2   | FEED CAM, AIR FEED                  | 151 |
| - | 1   | 1   | 2168083-8   | SCR, SKT HD CAP, RoHS, M4 X 16      | 144 |
| - | 4   | 4   | 2168083-9   | SCR, SKT HD CAP, RoHS, M4 X 20      | 143 |
| - | -   | 1   | 2119653-2   | FEED CAM, POST FEED                 | 142 |
| - | 1   | 1   | 1-1803583-0 | APPLICATOR BASIC ASSEMBLY, SF       | 141 |
| - | 1   | 1   | 1803516-1   | RAM ASSEMBLY, SF PACIFIC            | 140 |
| - | 1   | 1   | 2119955-1   | ASSY, LUBRICATOR, SIDE FEED         | 113 |
| - | 1   | 1   | 2844908-1   | SCREW, LOCKING                      | 99  |
| - | 1   | 1   | 2844907-1   | POST, LOCKING                       | 98  |
| - | 1   | 1   | 455888-5    | SPACER, CRIMPER                     | 82  |
| - | 1   | 1   | 3-240641-0  | SPACER                              | 81  |
| - | 1   | 1   | 1803607-3   | DOCUMENTATION PACKAGE               | 71  |
| - | 1   | 1   | 2119740-1   | TAG, IDENTIFICATION                 | 67  |
| - | 2   | 2   | 2168078-1   | SCREW, DRIVE, RH, RoHS, 2 x .188    | 66  |
| - | 1   | 1   | 5-18022-5   | SCR, HEX HD CAP, M4 X 6.0           | 59  |
| - | 1   | 1   | 1338685-1   | PAWL, FEED                          | 56  |
| - | 2   | 2   | 2168083-9   | SCR, SKT HD CAP, RoHS, M4 X 20      | 53  |
| - | 1   | 1   | 1803382-6   | HOLD DOWN, SPRING LOADED            | 50  |
| - | 1   | 2   | 18023-9     | SCR, SKT HD CAP M4 X 6.0            | 49  |
| - | -   | 1   | 2119652-1   | FEED CAM, PRE FEED                  | 48  |
| - | 1   | 1   | 1803602-1   | SCR, BHSC, RoHS (M8 X 25)           | 41  |
| - | 2   | 2   | 2079383-5   | SCR, BHSC, RoHS (M4 X 20)           | 33  |
| - | 2   | 2   | 2-2844962-6 | SPACER, CYLINDRICAL, STRIP GUIDE    | 30  |
| - | 1   | 1   | 2844992-1   | ASSEMBLY, STRIP GUIDE               | 29  |
| - | 1   | 1   | 1-455888-0  | SPACER, CRIMPER                     | 28  |
| - | 1   | 1   | 1320928-2   | STRIP GUIDE                         | 24  |
| - | 1   | 1   | 2168083-2   | SCR, SKT HD CAP, RoHS, M4 X 8.0     | 21  |
| - | 2   | 2   | 1-18028-2   | WASHER, FLAT, REG M4                | 20  |
| - | 1   | 1   | 2119533-1   | STRIPPER, SIDE FEED                 | 19  |
| - | 1   | 1   | 690463-1    | FLOATING SHEAR, REAR                | 17  |
| - | 2   | 2   | 1-2168083-1 | SCR, SKT HD CAP, RoHS, M3 X 6       | 16  |
| - | 1   | 1   | 690464-4    | SHEAR PLATE, REAR                   | 15  |
| - | 1   | 1   | 2119862-1   | SHEAR HOLDER, REAR                  | 14  |
| - | 1   | 1   | 2119806-1   | INSERT, SHEAR                       | 13  |
| - | 2   | 2   | 3-22280-3   | SPRING, COMPRESSION                 | 12  |
| - | 1   | 1   | 1-356885-4  | STOP, SHEAR                         | 11  |
| - | 1   | 1   | 2119805-1   | SHEAR HOLDER, FRONT                 | 10  |
| - | 1   | 1   | 1803095-1   | FLOATING SHEAR, FRONT               | 9   |
| - | 1   | 1   | 1-1803057-2 | ANVIL, COMBINATION                  | 8   |
| - | -   | -   | -           | -                                   | 7   |
| - | 1   | 1   | 690468-2    | DEPRESSOR SHEAR, REAR               | 6   |
| - | 1   | 1   | 2119757-4   | DEPRESSOR, SHEAR                    | 5   |
| - | 1   | 1   | 2-238011-2  | BLOCK, CRIMPER SPACER               | 4   |
| - | 1   | 1   | 1-2119784-3 | CRIMPER, INSULATION O PREMIUM       | 3   |
| - | 1   | 1   | 455888-3    | SPACER, CRIMPER                     | 2   |
| - | 1   | 1   | 456401-1    | CRIMPER, WIRE .042 F PREMIUM        | 1   |

PACIFIC VERSION  
Shown on sheets 3 of 4 & 4 of 4  
(Atlantic version shown on sheets 1 of 4 & 2 of 4)

| DIMENSIONS: |         | TOLERANCES UNLESS OTHERWISE SPECIFIED: |         | MATERIAL: |         | FINISH:  |          |
|-------------|---------|--|---------|-----------|---------|----------|----------|
| mm          | 0 PLC ± | 1 PLC ±                                | 2 PLC ± | 3 PLC ±   | 4 PLC ± | ANGLES ± | FINISH ± |

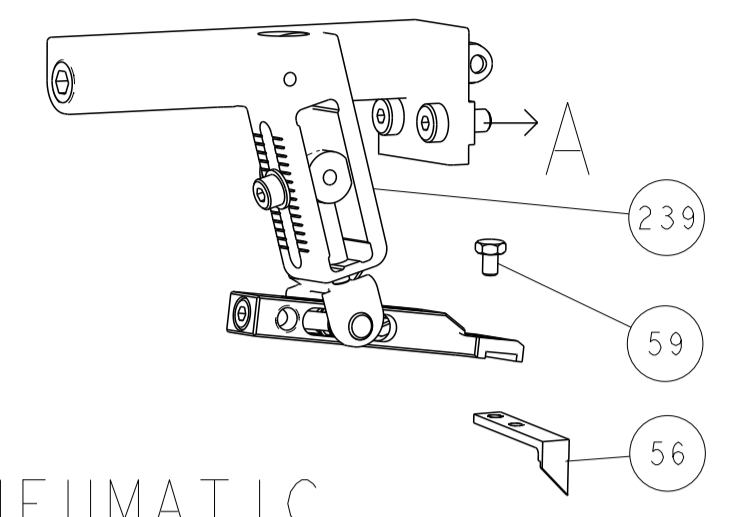
|          |           |           |           |
|----------|-----------|-----------|-----------|
| APVD     | CHK       | DATE      | REV       |
| T. ELBIN | G. BAILEY | 29MAY2013 | 29MAY2013 |

|                            |      |           |            |               |
|----------------------------|------|-----------|------------|---------------|
| NAME                       | SIZE | CAGE CODE | DRAWING NO | RESTRICTED TO |
| Ocean Side Feed Applicator | A1   | 00779     | 2151967    | -             |

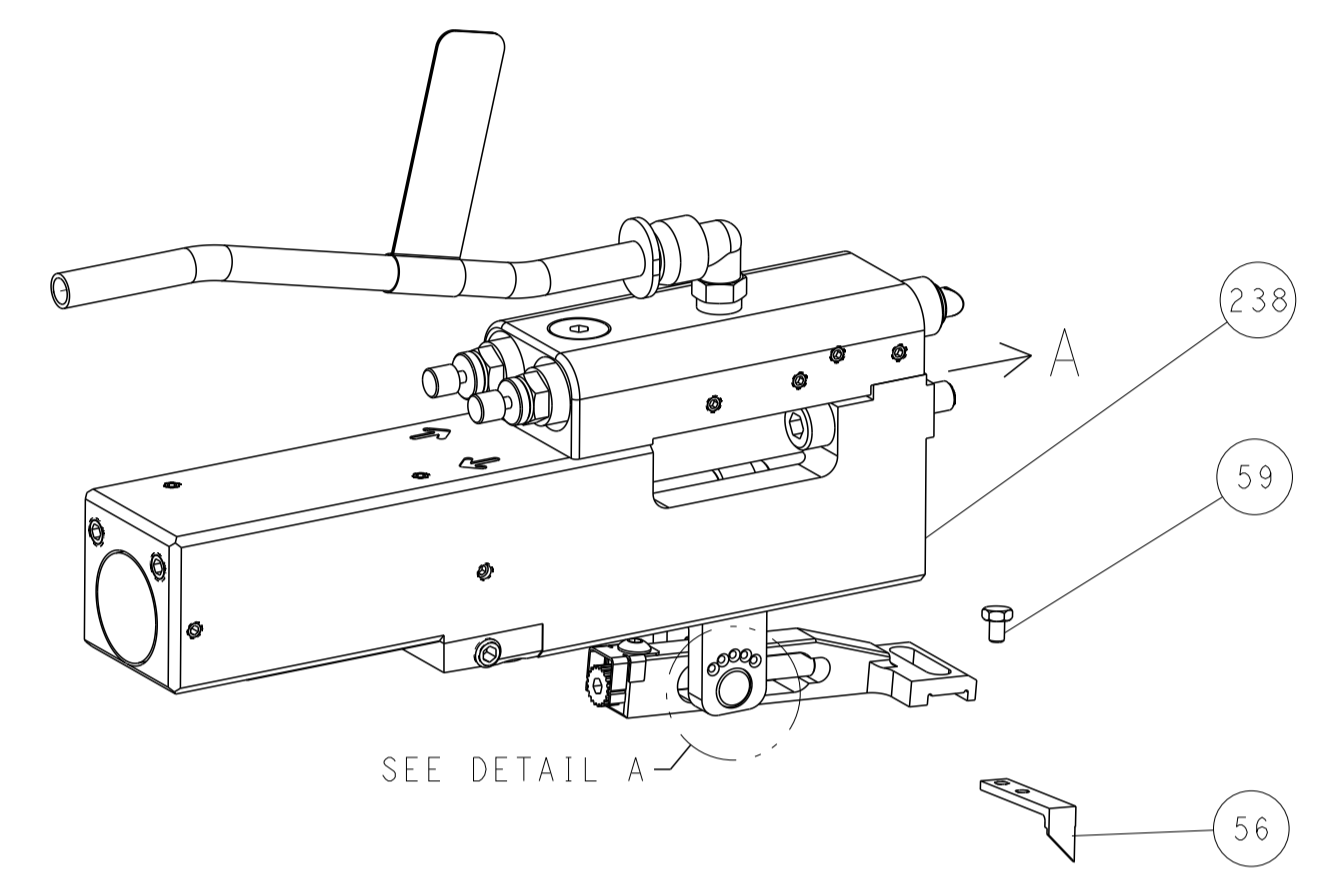
Customer Accessible Production Drawing SCALE 1:2 SHEET 3 OF 4 REV E

| LOC | DIST | REVISIONS |     |             |      |     |      |
|-----|------|-----------|-----|-------------|------|-----|------|
| A   | 66   | P         | LTM | DESCRIPTION | DATE | DWN | APVD |
|     |      | -         | -   | SEE SHEET 1 | -    | -   | -    |

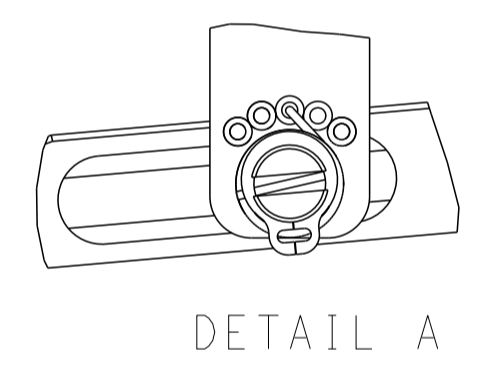
# FEED TYPE MECHANICAL



## PNEUMATIC

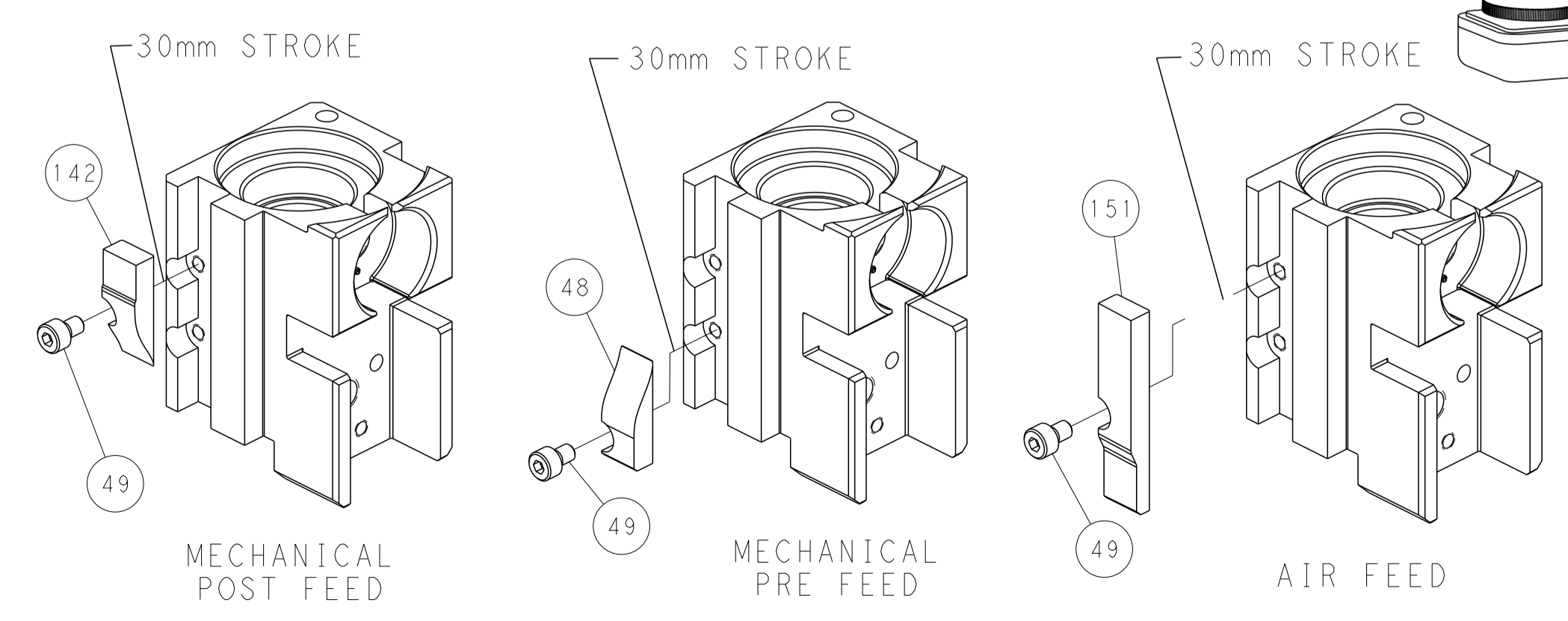


### FEED SPRING SETTING POSITION (SHOWN FROM REAR SIDE)



DETAIL A

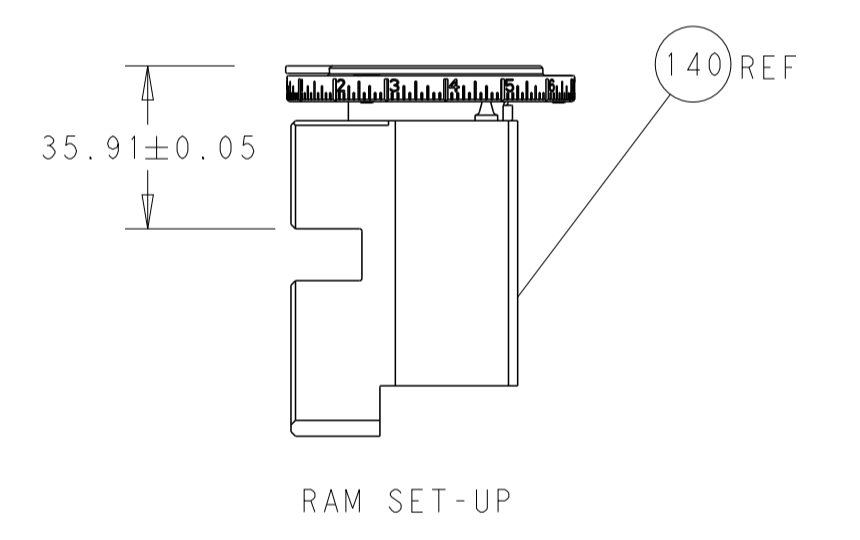
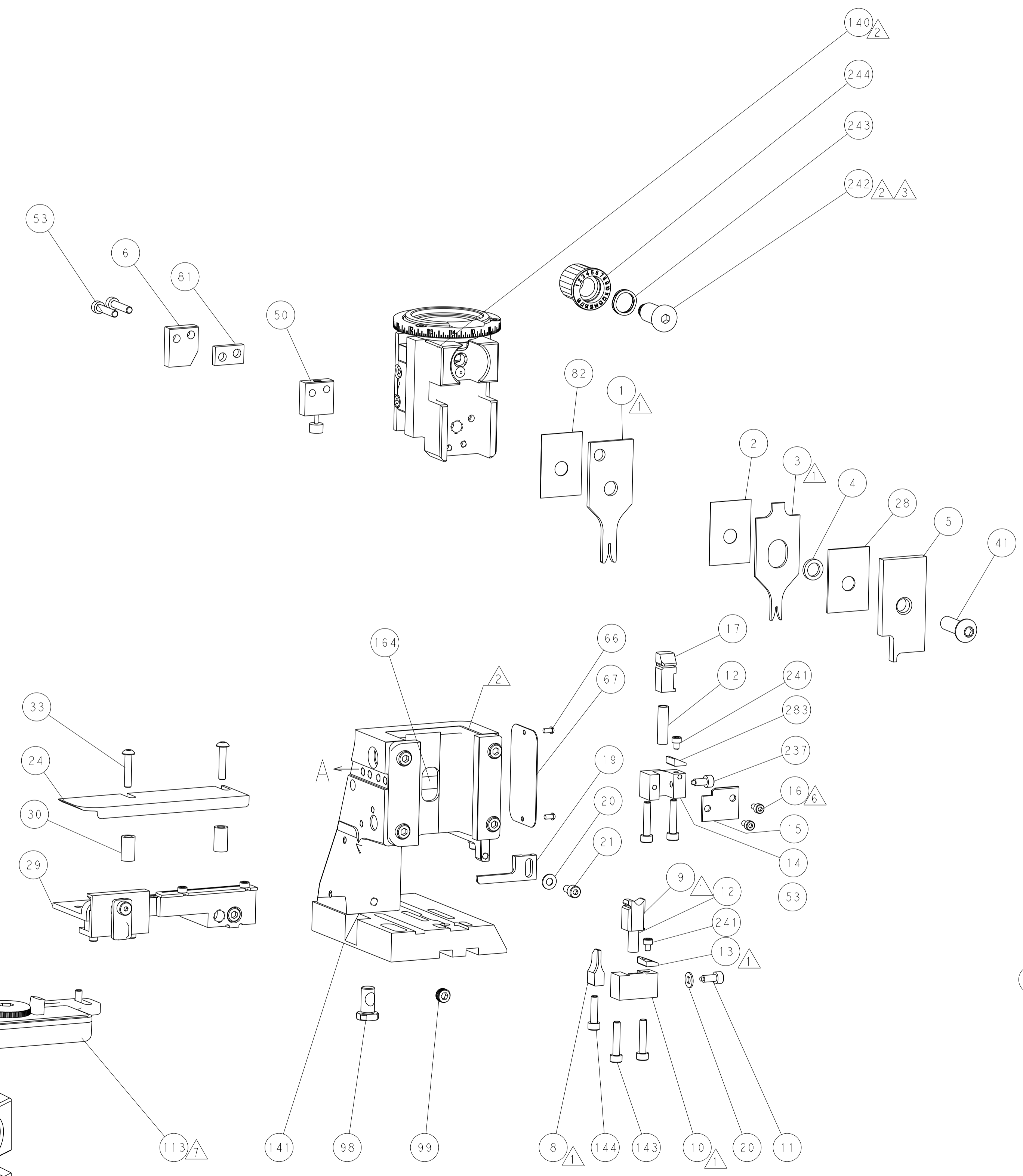
## CAM POSITIONS



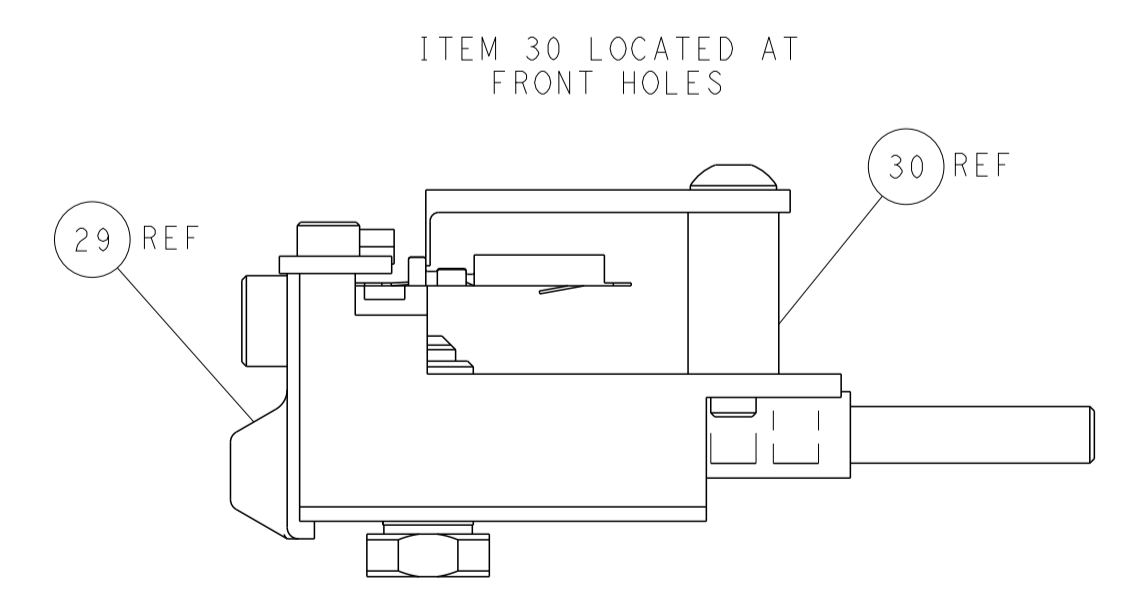
MECHANICAL POST FEED

MECHANICAL PRE FEED

AIR FEED



RAM SET-UP



FEED TRACK POSITION GUIDE BY INSULATION BARREL

**PACIFIC VERSION**  
 Shown on sheets 3 of 4 & 4 of 4  
 (Atlantic version shown on sheets 1 of 4 & 2 of 4)

|   |  |   |   |
|---|--|---|---|
| <small>THIS DRAWING IS UNPUBLISHED. RELEASED FOR PUBLICATION BY TYCO ELECTRONICS CORPORATION. ALL RIGHTS RESERVED.</small>              |  | DWN: R. STAKEM 29MAY2013<br>CHK: G. BAILEY 29MAY2013<br>APVD: T. ELBIN 29MAY2013  | TE Connectivity<br>Harrisburg, PA 17105-3608              |
| DIMENSIONS: mm<br>TOLERANCES UNLESS OTHERWISE SPECIFIED:<br>0 PLC ±<br>1 PLC ±<br>2 PLC ±<br>3 PLC ±<br>4 PLC ±<br>ANGLES ±<br>FINISH ± |  | NAME: Ocean Side Feed Applicator<br>APPLICATION SPEC: -<br>PRODUCT SPEC: -<br>SIZE: A1<br>CAGE CODE: 00779<br>DRAWING NO: 2151967 | RESTRICTED TO: -<br>SCALE: 1:2<br>SHEET: 4 OF 4<br>REV: E |
| MATERIAL: -<br>FINISH: -  |  | WEIGHT: -<br>Customer Accessible Production Drawing   |   |