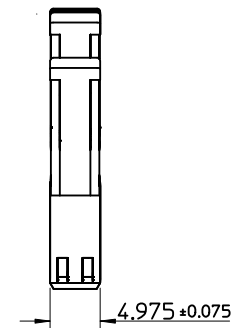
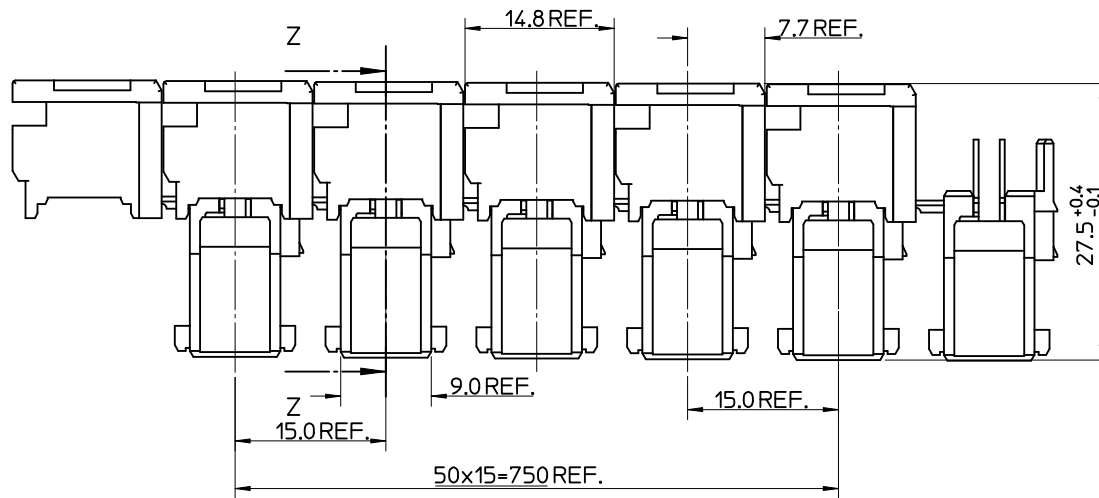
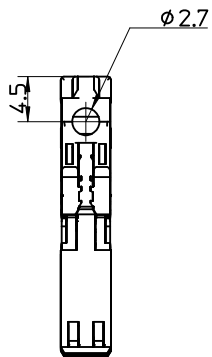
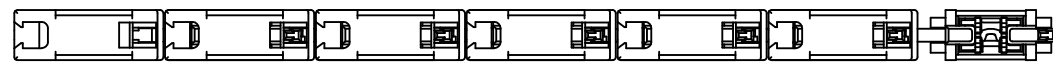


10 9 8 7 6 5 4 3 2 1



Z-Z



IDT TAKES 1.00mm²
CABLE SEE APPLICATION
SPECIFICATION AS-99033-0004

LOCKING TAB



NOTES:

1. MATERIALS:

HOUSING: PA66 UL94 V-0

TERMINAL: COPPER ALLOY, 0.5 REF THICK

PLATING: OPTION 1: 5um MIN PURE Sn ALL OVER

OPTION 2: 2um MIN SILVER IN CONTACT AREA

0.05um MIN SILVER FLASH ALLOVER

2. PRODUCT CONFORMS TO SPECIFICATION PS-99020-0037

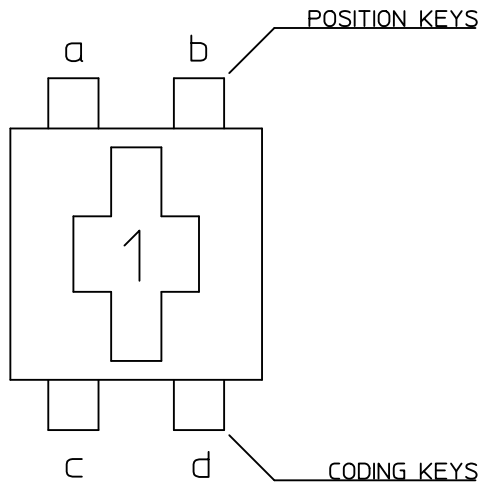
3. PACKAGING SPECIFICATION SEE SPEC PK-90833-001

4. REFER TO APPLICATION SPECIFICATION AS-99033-0004

ORIGINAL RELEASE EC NO: E2011-0085 DRWN: BRUTTLE 2010/08/30 CHKD: 2010/09/13 APPR: BMAGUIRE 2010/09/21 REV A	QUALITY SYMBOLS ▽=0 ▽=0	GENERAL TOLERANCES (UNLESS SPECIFIED) mm INCH 4 PLACES ± --- ± --- 3 PLACES ± --- ± --- 2 PLACES ± 0.05 ± --- 1 PLACE ± 0.10 ± --- ANGULAR ± 2 °	DIMENSION STYLE MM ONLY DRAWN BY DATE B. RUTTLE 2009/03/03 CHECKED BY DATE T. TOURISH 2009/03/03 APPROVED BY DATE BMAGUIRE 2009/03/03	SCALE 2:1 DESIGN UNITS METRIC THIRD ANGLE PROJECTION	TITLE 5MM APPLI-MATE 1CKT 12A FEMALE CONNECTOR V0 HWI HOUSING
	DRAFT WHERE APPLICABLE MUST REMAIN WITHIN DIMENSIONS		MATERIAL NO. SEE SHEET 2	DOCUMENT NO. SD-93277-001	SHEET NO. 1 OF 2
	MOLEX INCORPORATED				
	THIS DRAWING CONTAINS INFORMATION THAT IS PROPRIETARY TO MOLEX INCORPORATED AND SHOULD NOT BE USED WITHOUT WRITTEN PERMISSION				

9 8 7 6 5 4 3 2 1

MOLEX PART NUMBER	TERMINAL (see note1 sheet1)	COLOUR	POSITION KEYS	CODING KEYS	CONFIGURATION	REF.
93277-0102	OPTION 1 (TIN)	BLACK	b	c d		K02
93277-3102	OPTION 2 (SILVER)					
93277-0103	OPTION 1 (TIN)	BLACK	NONE	NONE		K**
93277-3103	OPTION 2 (SILVER)					
93277-0104	OPTION 1 (TIN)	BLACK	NONE	c		K11
93277-3104	OPTION 2 (SILVER)					
93277-0105	OPTION 1 (TIN)	BLACK	a	c		K09
93277-3105	OPTION 2 (SILVER)					
93277-0106	OPTION 1 (TIN)	BLACK	a, b	c, d		K00
93277-3106	OPTION 2 (SILVER)					
93277-0107	OPTION 1 (TIN)	BLACK	a, b	d		K01
93277-3107	OPTION 2 (SILVER)					



POSITION & CODING KEYS IDENTIFICATION

SEE SHEET 1 EC NO: E2011-0085 DRWN: BRUTTLE 2010/08/30 CHKD: 2010/09/13 APPR: BMAGUIRE 2010/09/21	QUALITY SYMBOLS	GENERAL TOLERANCES (UNLESS SPECIFIED)	DIMENSION STYLE	SCALE	DESIGN UNITS	THIRD ANGLE PROJECTION
	▼=0 ▽=0	mm INCH 4 PLACES ± --- ± --- 3 PLACES ± --- ± --- 2 PLACES ± 0.05 ± --- 1 PLACE ± 0.10 ± --- ANGULAR ± 2 °	MM ONLY	2:1	METRIC	
	DESCRIPTION	DRAFT WHERE APPLICABLE MUST REMAIN WITHIN DIMENSIONS	DRAWN BY: B. RUTTLE DATE: 2009/03/03 CHECKED BY: T. TOURISH DATE: 2009/03/03 APPROVED BY: BMAGUIRE DATE: 2009/03/03	TITLE: 5MM APPLI-MATE 1CKT 12A FEMALE CONNECTOR V0 HWI HOUSING		
	REV: A	SIZE: A3	MATERIAL NO. SEE CHART DOCUMENT NO. SD-93277-001 SHEET NO. 2 OF 2	MOLEX INCORPORATED		