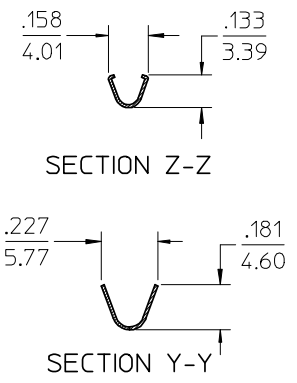
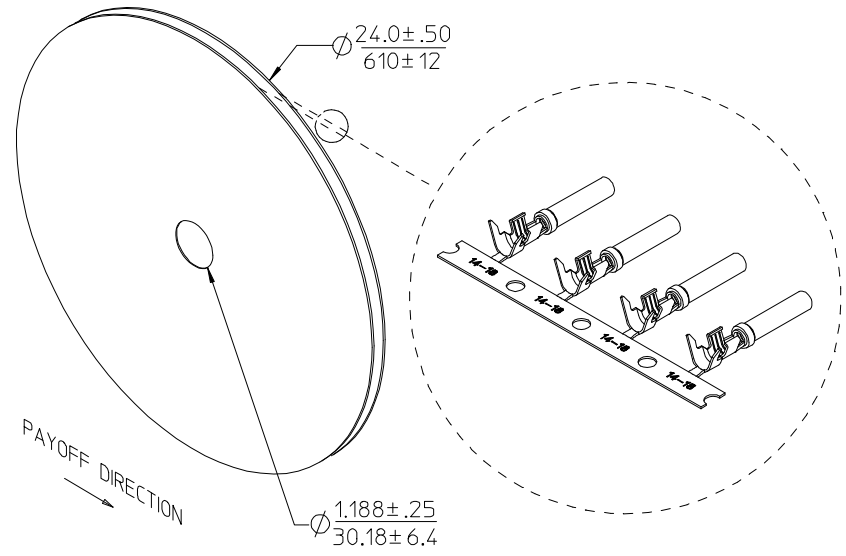
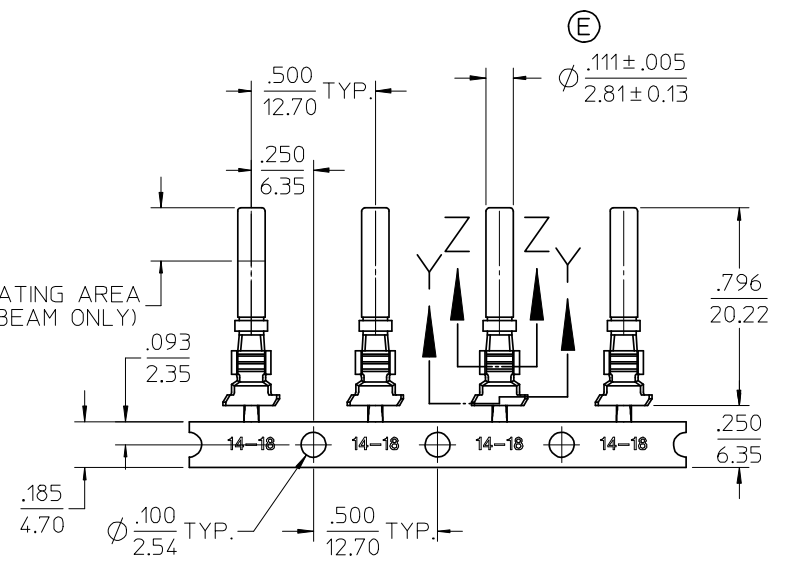


10 9 8 7 6 5 4 3 2 1

(E)	STRIP MATERIAL NUMBER	FINISH
	84590-0024	OVERALL NICKEL 80μ ^m MINIMUM



SELECT PLATING AREA (CONTACT BEAM ONLY)



- NOTES:
1. TERMINAL MATERIAL: COPPER ALLOY, .012/0.30 THICK. HOOD MATERIAL: STAINLESS STEEL, .008/0.20 THICK.
 2. FINISH: SEE CHART.
 3. STRIP TERMINALS ARE REELED AS SHOWN ABOVE, 3000 PARTS PER REEL.
 4. TERMINAL FOR USE WITH SERIES XRC CONNECTOR ASSEMBLIES.
 5. ALL DIMENSIONS ARE REFERENCE.
 6. ALL MATERIALS AND FINISHES ARE ROHS COMPLIANT.

(E) WIRE INSULATION O.D. RANGE $\frac{.095-1.50}{2.41-3.81}$

UPDATE NOTES & TABLE EC NO: WINA2008-0139 FT DR/MW/LEUNG 2008/07/26 CHKD:RDEROSS 2008/04/21 APPR:RDEROSS 2008/04/24 REV DESCRIPTION	QUALITY SYMBOLS	GENERAL TOLERANCES (UNLESS SPECIFIED)	DIMENSION STYLE	SCALE	DESIGN UNITS	THIRD ANGLE PROJECTION																				
	$\nabla=0$ $\nabla=0$	<table border="1"> <tr><th colspan="2">mm</th><th colspan="2">INCH</th></tr> <tr><td>4 PLACES</td><td>± ---</td><td>± ---</td><td></td></tr> <tr><td>3 PLACES</td><td>± ---</td><td>± .010</td><td></td></tr> <tr><td>2 PLACES</td><td>± 0.25</td><td>± .02</td><td></td></tr> <tr><td>1 PLACE</td><td>± 0.5</td><td>± ---</td><td></td></tr> </table>	mm		INCH		4 PLACES	± ---	± ---		3 PLACES	± ---	± .010		2 PLACES	± 0.25	± .02		1 PLACE	± 0.5	± ---		IN/MM	2:1	INCH	
	mm		INCH																							
	4 PLACES	± ---	± ---																							
3 PLACES	± ---	± .010																								
2 PLACES	± 0.25	± .02																								
1 PLACE	± 0.5	± ---																								
DRAFT WHERE APPLICABLE MUST REMAIN WITHIN DIMENSIONS	DRAWN BY: RSTONE DATE: 09/15/04 CHECKED BY: APLAZA DATE: 09/15/04 APPROVED BY: LROTHAUS DATE: 09/15/04	TITLE	CONTACT SOCKET (HOODED), 14-18 AWG																							
		MATERIAL NO.	SEE CHART	DOCUMENT NO.	SD-84590-002																					
		SIZE	B	THIS DRAWING CONTAINS INFORMATION THAT IS PROPRIETARY TO MOLEX INCORPORATED AND SHOULD NOT BE USED WITHOUT WRITTEN PERMISSION																						

9 8 7 6 5 4 3 2 1