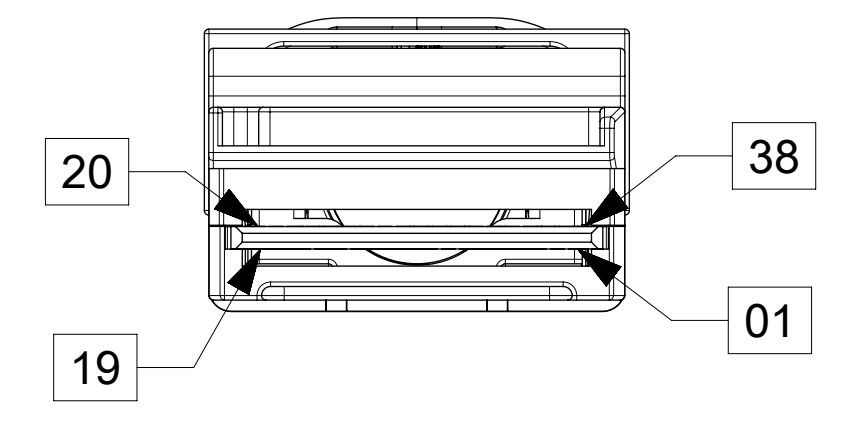
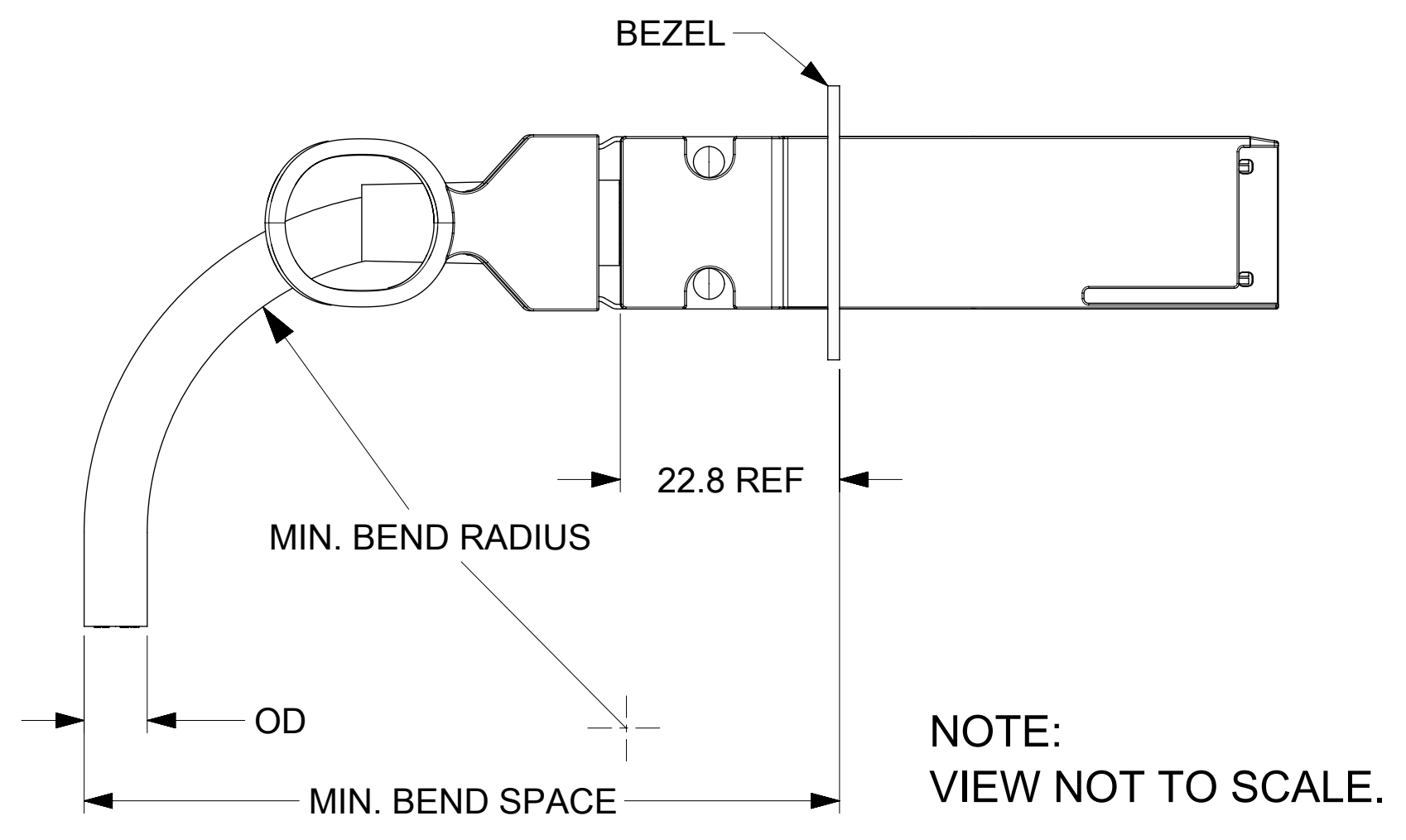


- NOTES:**
- CABLE LENGTH DEPENDS ON WIRE GAUGE, DATA RATE, AND HOST BOARD DRIVER CAPABILITIES
  - MATERIALS:  
 BACKSHELLS - ZINC DIE CAST WITH BRIGHT NICKEL PLATING  
 DELATCH - STAINLESS STEEL WITH OVERMOLDED NYLON  
 RIVETS - STAINLESS STEEL
  - IMPEDANCE - 100 OHMS DIFFERENTIAL
  - CABLE IS UL RECOGNIZED (TBD)
  - EEPROM MAP AVAILABLE UPON REQUEST
  - RoHS COMPLIANT, NO EXEMPTIONS

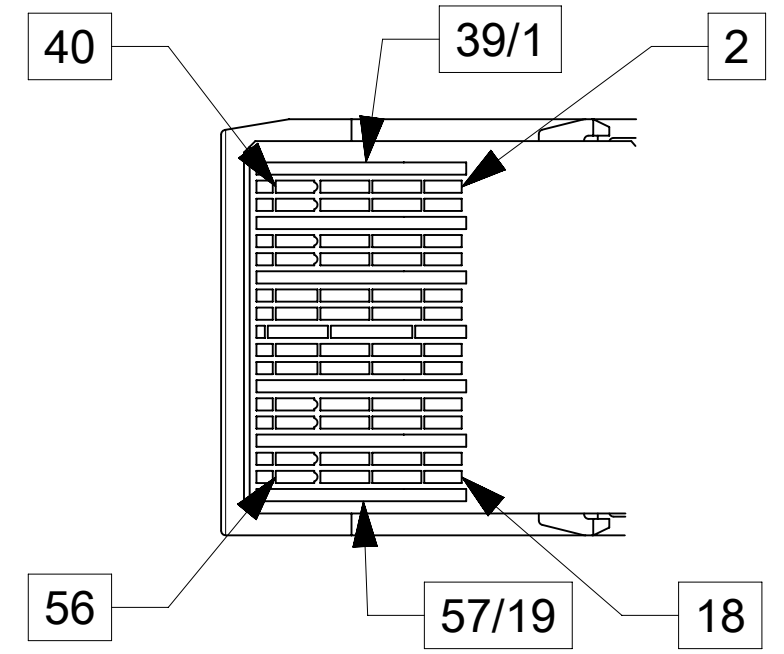
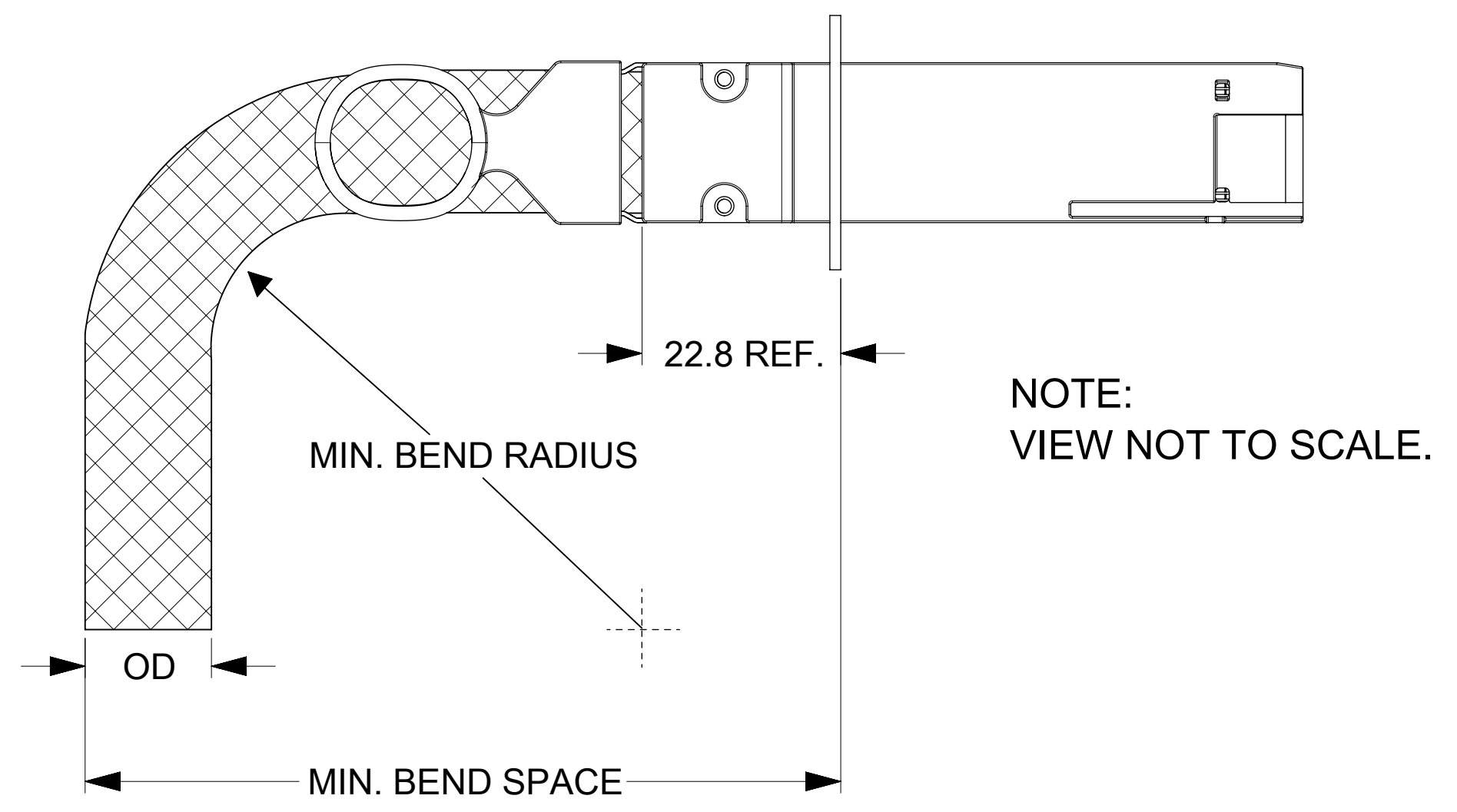
FUNCTIONAL SYMBOLS $F_A = 0$ $F_C = 0$ $F_P = 0$ DIVISIONAL SYMBOLS	THIS DRAWING CONTAINS INFORMATION THAT IS PROPRIETARY TO MOLEX ELECTRONIC TECHNOLOGIES, LLC AND SHOULD NOT BE USED WITHOUT WRITTEN PERMISSION		CURRENT REV DESC: SHT 4 ZONE F11 : TEXT P1 REMOVED FROM LEG ID LABEL		
	DIMENSION UNITS	SCALE	EC NO: 713211		
	mm	1:1	DRWN: KIRANG5	2022/07/01	
	GENERAL TOLERANCES (UNLESS SPECIFIED)		CHK'D: ADITHK	2022/07/06	
ANGULAR TOL ± 5.0°		APPR: SCHANNARAYAN	2022/07/06	PRODUCT CUSTOMER DRAWING	
4 PLACES ±		INITIAL REVISION:		DOCUMENT NUMBER	DOC TYPE
3 PLACES ±		DRWN: SRATKOVIC	2016/12/01	2033660001	PSD
2 PLACES ± 0.13		APPR: ADTUCKER	2017/10/17	000	M
1 PLACE ± 0.25		DRAFT WHERE APPLICABLE MUST REMAIN WITHIN DIMENSIONS		MATERIAL NUMBER	CUSTOMER
0 PLACES ±		THIRD ANGLE PROJECTION	DRAWING	203366	GENERAL MARKET
			SERIES	SEE P/N TABLE	SHEET NUMBER
			D-SIZE	1 OF 4	

### zQSFP+ CABLE BEND RADIUS

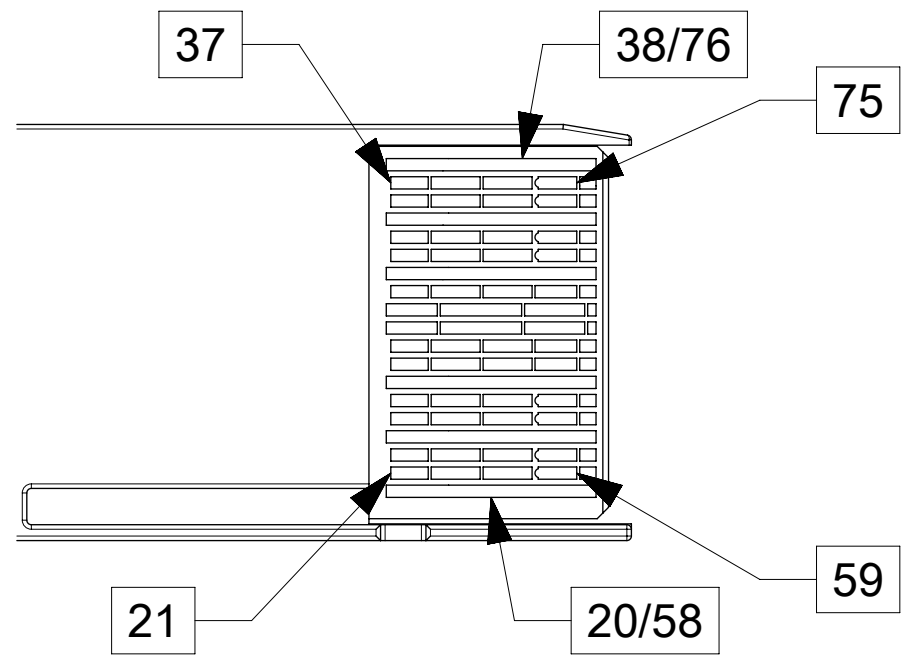


CABLE AWG	OD (mm)	MIN BEND RADIUS (mm)	MIN BEND SPACE (mm)
26	9.0	45	77
28	7.9	40	71
30	6.7	34	64

### QSFP-DD CABLE BEND RADIUS

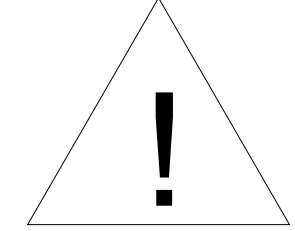


BOTTOM VIEW



TOP VIEW

CABLE AWG	OD (mm)	MIN BEND RADIUS (mm)	MIN BEND SPACE (mm)
26	(13)	(65)	(101)
28	(11)	(55)	(89)
30	(9.4)	(47)	(79)

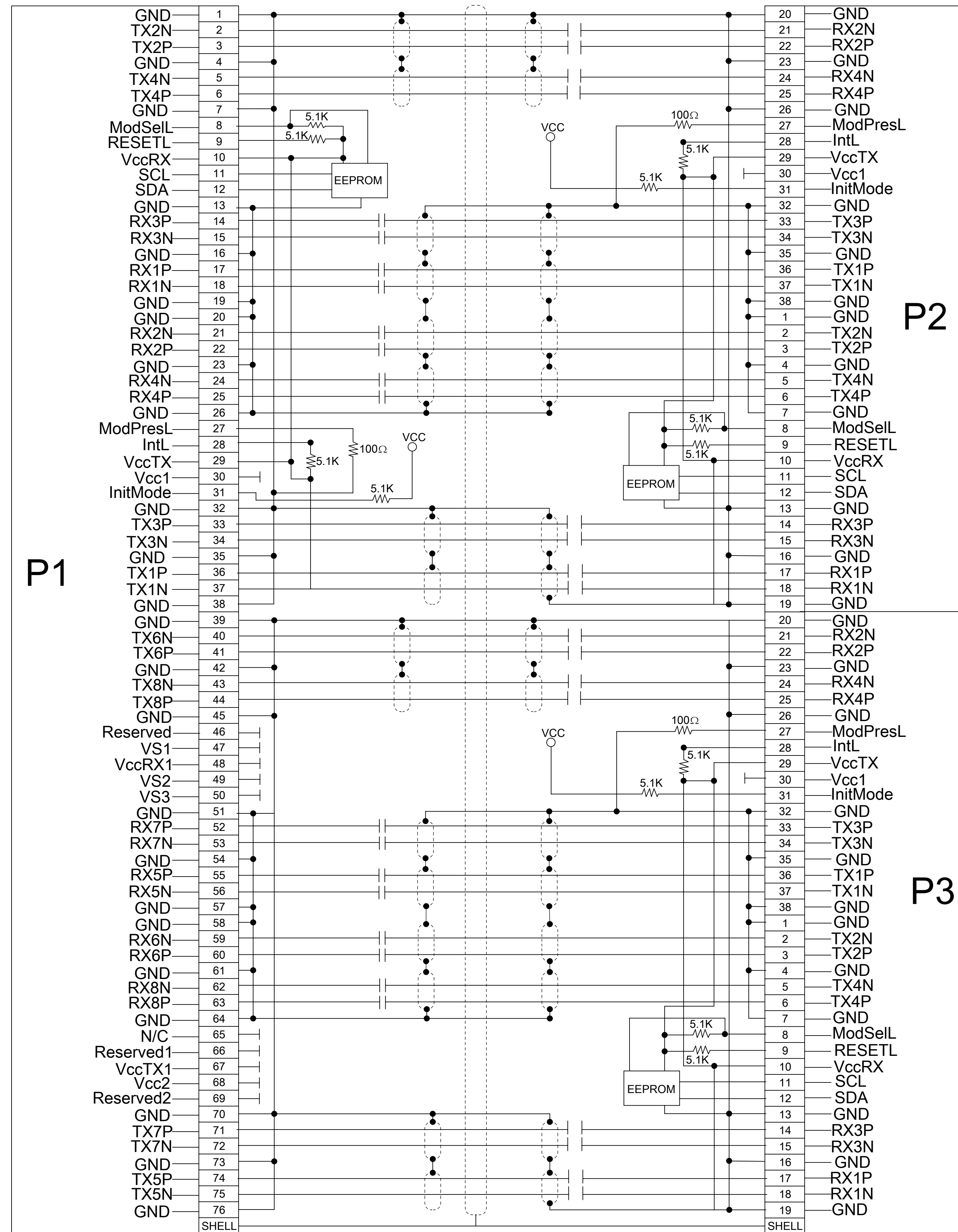


MINIMUM BEND RADIUS PENDING QUALIFICATION. NUMBERS ABOVE ARE ESTIMATES AND SUBJECT TO CHANGE.

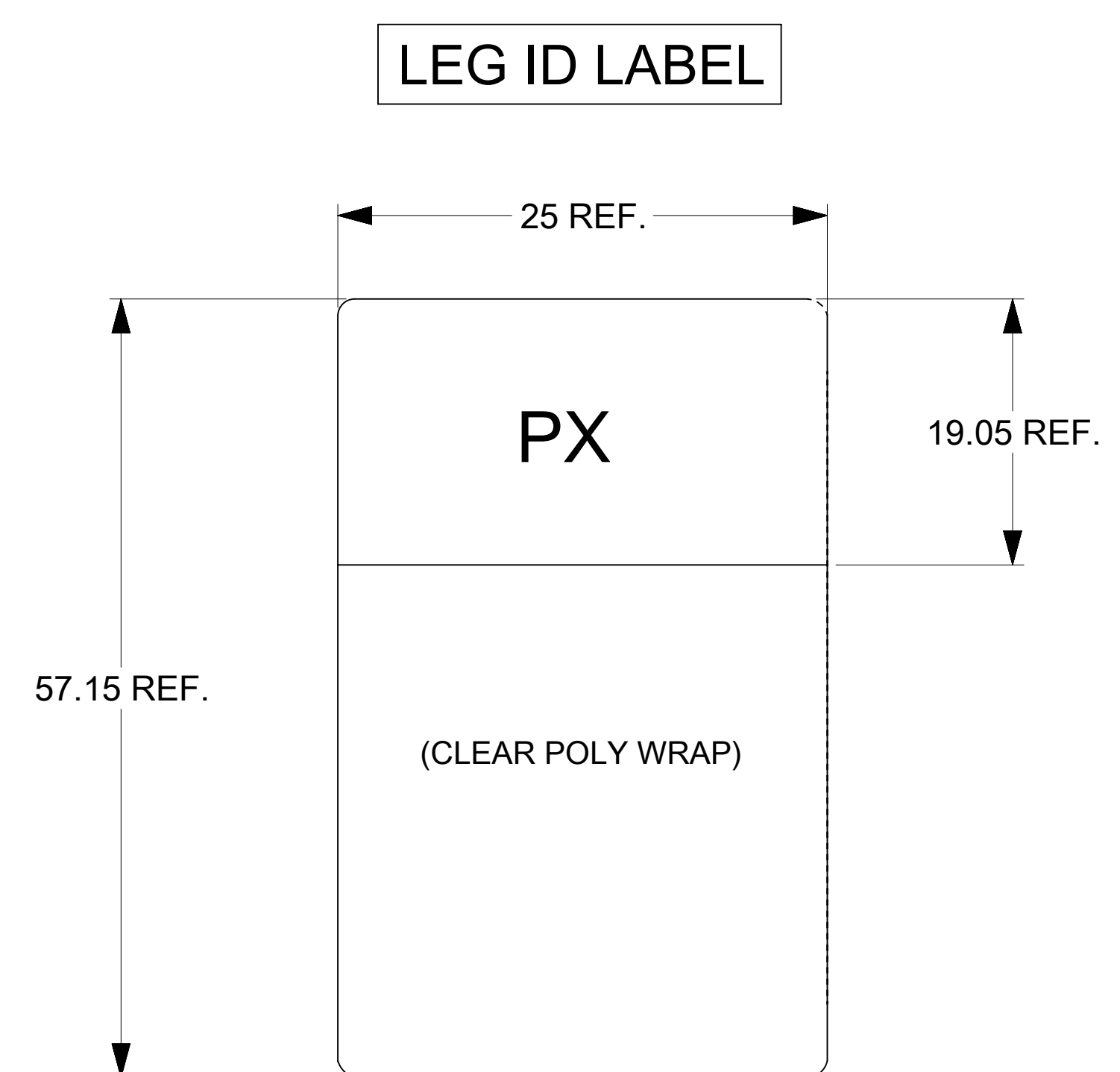
- NOTES:
- DC BLOCKING CAPS ON RECEIVE SIDE ONLY
  - CABLE COILED AND PACKAGED IN BEST FIT ESD BAG AND SEALED WITH ESD LABEL FOR SHIPPING

FUNCTIONAL SYMBOLS FA = 0 FC = 0 FD = 0	THIS DRAWING CONTAINS INFORMATION THAT IS PROPRIETARY TO MOLEX ELECTRONIC TECHNOLOGIES, LLC AND SHOULD NOT BE USED WITHOUT WRITTEN PERMISSION		CURRENT REV DESC: SHT 4 ZONE F11 : TEXT P1 REMOVED FROM LEG ID LABEL		
	DIMENSION UNITS	SCALE	GENERAL TOLERANCES (UNLESS SPECIFIED)		
DIVISIONAL SYMBOLS	mm	1:1	ANGULAR TOL ± 5.0°		EC NO: 713211 DRWN: KIRANG5 2022/07/01 CHK'D: ADITHK 2022/07/06 APPR: SCHANNARAYAN 2022/07/06
4 PLACES ±		3 PLACES ±		INITIAL REVISION: DRWN: SRATKOVIC 2016/12/01 APPR: ADTUCKER 2017/10/17	
2 PLACES ± 0.13		1 PLACE ± 0.25			DOCUMENT NUMBER: 2033660001 DOC TYPE: PSD DOC PART: 000 REVISION: M
0 PLACES ±		DRAFT WHERE APPLICABLE MUST REMAIN WITHIN DIMENSIONS		MATERIAL NUMBER: SEE P/N TABLE CUSTOMER: GENERAL MARKET SHEET NUMBER: 2 OF 4	
THIRD ANGLE PROJECTION		DRAWING: D-SIZE		SERIES: 203366	

# WIRING DIAGRAM



FUNCTIONAL SYMBOLS	THIS DRAWING CONTAINS INFORMATION THAT IS PROPRIETARY TO MOLEX ELECTRONIC TECHNOLOGIES, LLC AND SHOULD NOT BE USED WITHOUT WRITTEN PERMISSION		
	DIMENSION UNITS	SCALE	CURRENT REV DESC: SHT 4 ZONE F11 : TEXT P1 REMOVED FROM LEG ID LABEL
$F_A = 0$	mm	1:1	<p><b>molex</b></p> <p>QSFP-DD TO 2-ZQSFP+ 56G CABLE ASSEMBLY</p> <p>PRODUCT CUSTOMER DRAWING</p> <p>DOCUMENT NUMBER: <b>2033660001</b>   DOC TYPE: PSD   DOC PART: 000   REVISION: M</p> <p>EC NO: 713211 DRWN: KIRANG5   2022/07/01 CHK'D: ADITHK   2022/07/06 APPR: SCHANNARAYAN   2022/07/06</p> <p>INITIAL REVISION: DRWN: SRATKOVIC   2016/12/01 APPR: ADTUCKER   2017/10/17</p> <p>DRAFT WHERE APPLICABLE MUST REMAIN WITHIN DIMENSIONS</p>
$F_C = 0$	GENERAL TOLERANCES (UNLESS SPECIFIED)		
$F_P = 0$	ANGULAR TOL ± 5.0°		
DIVISIONAL SYMBOLS	4 PLACES	±	
	3 PLACES	±	
	2 PLACES	± 0.13	
	1 PLACE	± 0.25	
	0 PLACES	±	
DRAFT WHERE APPLICABLE MUST REMAIN WITHIN DIMENSIONS		THIRD ANGLE PROJECTION	DRAWING: <b>D-SIZE</b>   SERIES: <b>203366</b>
			MATERIAL NUMBER: SEE P/N TABLE   CUSTOMER: GENERAL MARKET   SHEET NUMBER: 3 OF 4



MOLEX P/N	LENGTH (M)	AWG
2033661005	0.5M +/- 0.05M	30
2033661010	1.0M +/- 0.05M	30
2033661015	1.5M +/- 0.08M	30
2033661020	2.0M +/- 0.08M	30
2033663005	0.5M +/- 0.05M	28
2033663010	1.0M +/- 0.05M	28
2033663015	1.5M +/- 0.08M	28
2033663020	2.0M +/- 0.08M	28
2033663025	2.5M +/- 0.08M	28
2033663030	3.0M +/- 0.08M	26

\*LENGTHS UNDER 1.0M MAY NOT MEET ALL IEEE802.3cd SPEC

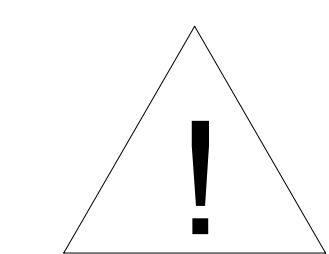
P/N: 203366XXXX - MOLEX PART NUMBER (SEE P/N TABLE)

X.XM - CABLE LENGTH IN METERS (EXAMPLES - 0.5M, 1.0M, 1.5M)

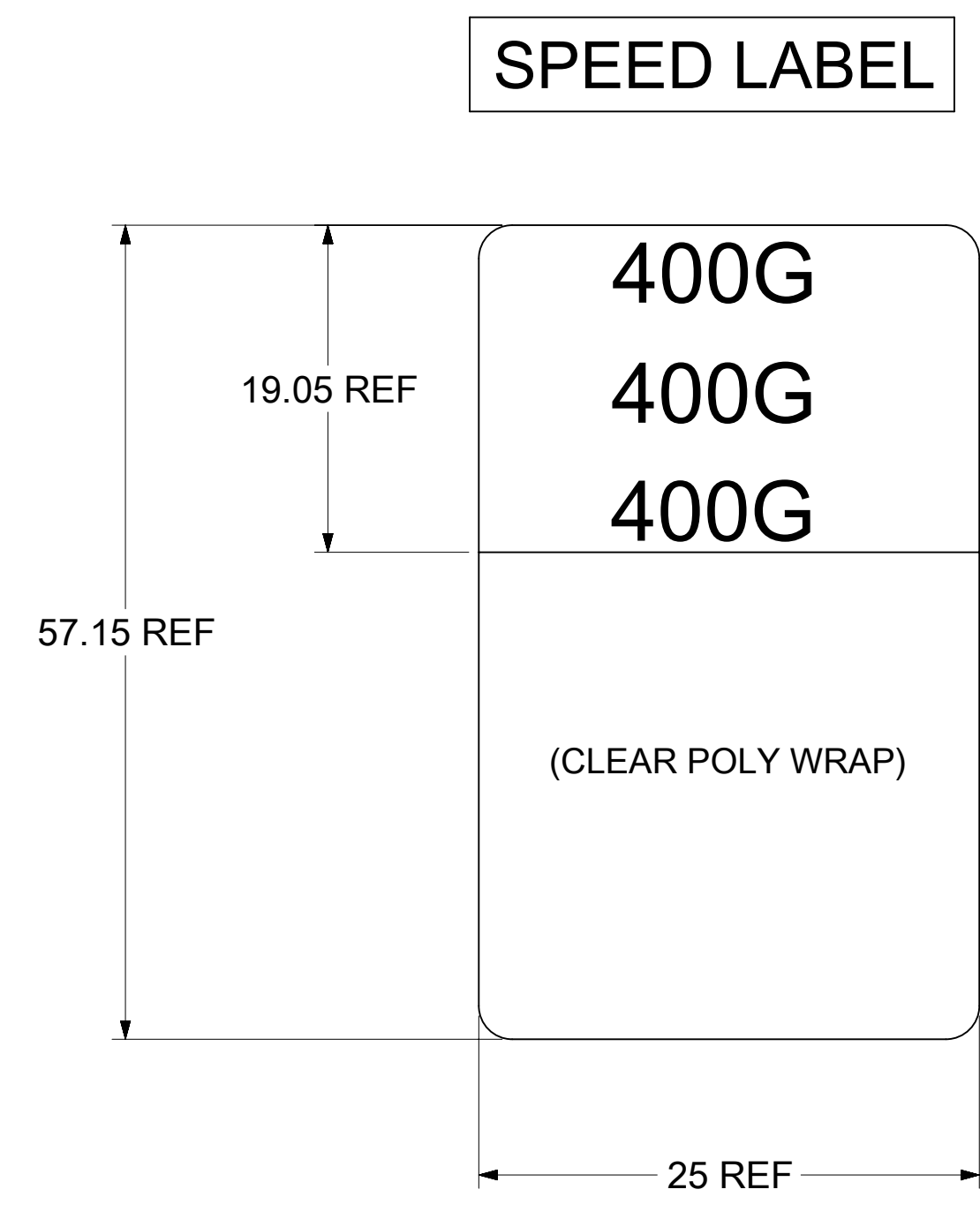
XXAWG - CABLE SIZE IN AWG

S/N: YYDDDLSSSS - SERIAL NUMBER  
 YY = YEAR, THE LAST 2 DIGITS OF YEAR  
 DDD = DAY OF THE YEAR  
 L = LOCATION  
 1 - USA  
 2 - MEXICO  
 3 - CHINA  
 4 - PHILIPPINES  
 SSSS = SERIAL NUMBER (0001-9999)

PX: P2 OR P3



TENTATIVE PROPOSAL  
PENDING ELECTRICAL QUALIFICATION



FUNCTIONAL SYMBOLS FA = 0 FC = 0 FP = 0 DIVISIONAL SYMBOLS	THIS DRAWING CONTAINS INFORMATION THAT IS PROPRIETARY TO MOLEX ELECTRONIC TECHNOLOGIES, LLC AND SHOULD NOT BE USED WITHOUT WRITTEN PERMISSION			<b>molex</b> QSFP-DD TO 2-ZQSFP+ 56G CABLE ASSEMBLY					
	DIMENSION UNITS	SCALE	CURRENT REV DESC: SHT 4 ZONE F11 : TEXT P1 REMOVED FROM LEG ID LABEL				DOCUMENT NUMBER	DOC TYPE	DOC PART
	mm	1:1	GENERAL TOLERANCES (UNLESS SPECIFIED)	2033660001	PSD	000	M		
	ANGULAR TOL ± 5.0°	4 PLACES ±	EC NO: 713211	PRODUCT CUSTOMER DRAWING					
3 PLACES ±	2 PLACES ± 0.13	DRWN: KIRANG5 2022/07/01	MATERIAL NUMBER						
2 PLACES ±	1 PLACE ± 0.25	CHK'D: ADITHK 2022/07/06	CUSTOMER						
1 PLACE ±	0 PLACES ±	APPR: SCHANNARAYAN 2022/07/06	SHEET NUMBER						
DRAFT WHERE APPLICABLE MUST REMAIN WITHIN DIMENSIONS			THIRD ANGLE PROJECTION	DRAWING	SERIES	MATERIAL NUMBER		CUSTOMER	SHEET NUMBER
				D-SIZE	203366	SEE P/N TABLE	GENERAL MARKET	4 OF 4	