

**JST**

Crimp

Single-circuit

# SPF CONNECTOR

Crimp type connectors for 2.36 mm diameter pins



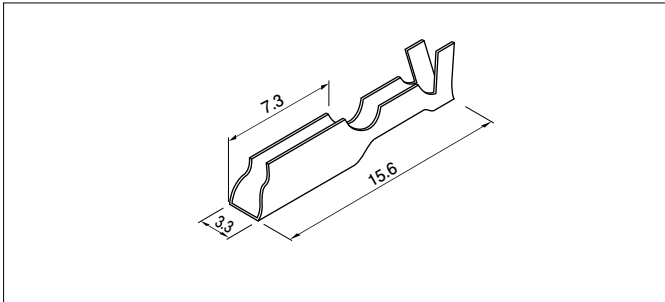
This connector is used with 2.36 mm diameter GT pins. The SPF connector has a large contact area, withstands stress caused by repeated insertions and removals, and provides excellent retaining force. It is best suited for circuit connections that require a large current.

## Specifications

---

- Current rating: 5A AC, DC
- Temperature range: -25°C to +85°C  
(including temperature rise in applying electrical current)
- Contact resistance: Initial value/ 3 mΩ max.  
After environmental testing/ 5 mΩ max.
- Applicable wire: AWG #24 to #20
- Applicable PC board thickness: 1.6 mm
- \* Compliant with RoHS.
- \* Refer to "General Instruction and Notice when using Terminals and Connectors" at the end of this catalog.
- \* Contact JST for details.

## Contact



Model No.	Applicable wire			Q'ty / reel
	mm <sup>2</sup>	AWG#	Insulation O.D. (mm)	
SPF-01T-2.5C	0.2 to 0.5	24 to 20	1.6 to 2.7	10,000

### Material and Finish

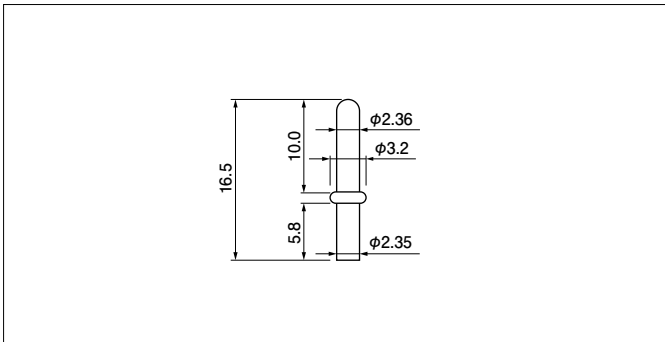
Brass, tin-plated (reflow treatment)

### RoHS compliance

Note:

Contact JST for details if you require shielded wires or wires other than those listed above, or if two wires must be crimped.

## Pin



Model No.	Applicable PC board		Q'ty / box
	Thickness (mm)	Hole diameter (mm) [Reference]	
RT-01N-2.3A	1.6	2.36±0.05	5,000

### Material and Finish

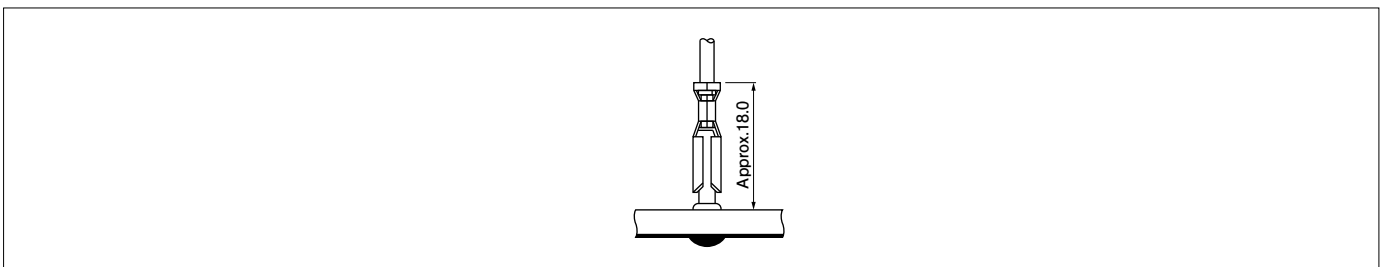
Brass, copper-undercoated, nickel-plated

### RoHS compliance

Note:

Hole dimensions may differ according to the type of PC board and piercing method.

## Assembly layout



# SPF CONNECTOR

## Model number allocation

### Contact

	<b>SPF - 01 T - 2.5 C</b>
Series name	
Applicable wire range: AWG #24 to #20	
Surface finish: T···Tin-plated (reflow treatment)	
Terminal size	
Supplementary symbol	

### Pin

	<b>RT - 01 N - 2.3 A</b>
Series name	
Type name	
Surface finish: N···Copper-undercoated, nickel-plated	
Pin size	
Shape	

## Crimping machine, Applicator

Contact	Crimping machine	Applicator		
		Crimp applicator	Dies	Crimp applicator with dies
SPF-01T-2.5C	AP-K2N	MKS-L	MK/SPF-01-25C	APLMK SPC01-25C

Note: Contact JST for fully automatic crimping applicator.