

JANUS REMOTE COMMUNICATIONS

P
R
O
D
U
C
T
B
R
I
E
F

LTE910CF v15.00 CF Socket Modem CAT1 Embedded 4G Cellular Modem

Description

The Janus line of Common Footprint (CF) Socket Modems are footprint compatible, embedded cellular devices for use in LTE communication networks. They were specifically designed to provide customers with cost effective modules that are easily integrated into new and existing designs, require limited customer certification resources, and are completely interchangeable to allow for maximum network flexibility while removing the worry of product obsolescence.



The LTE910CF v15.00 Common Footprint (CF) Socket Modem is an LTE Category 1 cellular modem with support for multiple carriers including AT&T and Verizon networks.

It utilizes the Telit LE910C1-NF module as its cellular engine. The LTE910CF v15.00 units operate in LTE bands B2, B4, B5, B12, B13, B14, B66, and B71.

End device certification allows users to implement the LTE910CF in their devices with no further North American carrier certification requirements*

* Verizon may require FOTA and data retry demonstration for full certification. FirstNet requires certification in the user end product.

LTE910CF v15.00 Features

- Data Rate: LTE: 10D/5U Mbps
- Multi-Band Support
 - LTE Band 1900 (B2), 1700 (B4), 850 (B5), 700 (B12/B13/B14), AWS-3 (B66), 600 (B71)
 - UMTS/HSPA+ Band 1900 (B2), 1700 (B4), 850 (B5),
- TCP/IP stack access via AT commands
- SMS (MO / MT)
- Output power: Class 3 (0.2W, 23 dBm) @ LTE
- Dimensions: 2.5" x 1.4" x 0.325"
- Operational temperature range: -40°C to 85°C
- Internal Switching Regulator:
 - Input Voltage Range: 4.75 to 5.25Vdc (5Vdc nominal)
 - Supply disable via terminal input pin
- Variable logic level (UART/GPIO)
 - Adjustable from 1.8 - 5.0Vdc
 - Defaults to 2.85v
- SIM Card
 - Locking SIM card socket, Mini (2FF size) SIM
- Antenna:
 - Cellular and GNSS antennas
 - U.FL miniature RF connectors
- GNSS
 - Stand alone GPS and GLONASS available at AT command interface
 - A-GPS support
 - NMEA data
 - GNSS antenna connection w/active antenna support

Approvals: LTE910CF V15.00

FCC Approval: RI7LE910CxNF

Carrier approvals:

PTCRB
AT&T
Verizon

The LTE910CF is pin compatible with the full line of Janus Socket Modem CF Products.

Applications

Suitable for all M2M Applications

- Fleet Management
- Asset Tracking
- Security Systems
- Telemetry
- Telematics & Telecontrol
- Remote Monitoring Systems
- Remote Meter Reading
- Vending Machines

Take the complexity out of designing cellular IoT solutions with Janus Socket Modems.

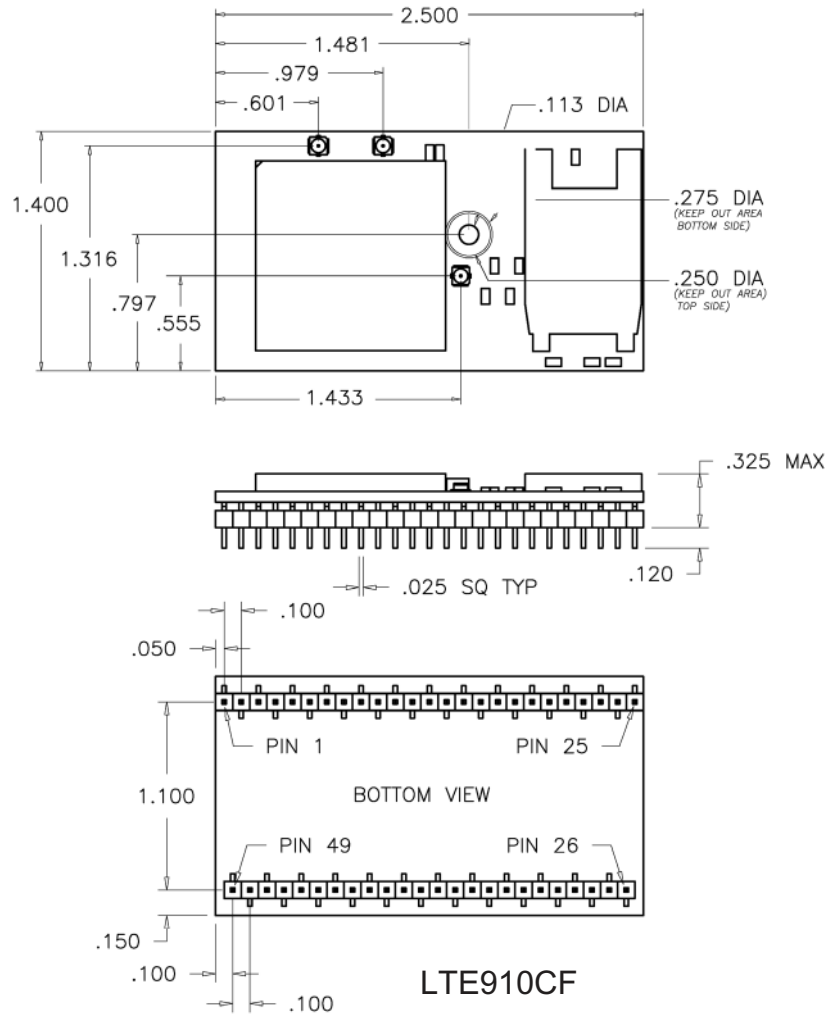


Making machines talk.

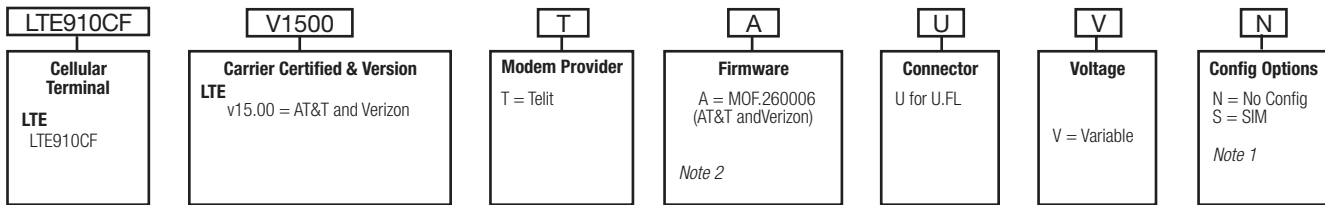
2359 Diehl Road
Aurora, IL 60502
630.499.2121
info@janus-rc.com
www.janus-rc.com

Bulletin **JA03-PB_LTE910CF v15**
Revision **01**
Date **09 July 2021**

LTE910CF v15.00 CAT 1 CF Socket Modem Mechanical Drawings



Ordering Information



Example: Part Number – LTE910CFV1500TAUVN = LTE Cellular Socket Modem; AT&T or Verizon, Certified; Telit Modem; Standard Firmware with a U.FL Connector with a Variable Voltage with no configuration options.

Notes:

1. Config Options: SIM designation is for installation of the SIM
2. Check with Janus for appropriate firmware version.

Contact Sales for Additional Special Order Options: Dave Jahr: djahr@janus-rc.com | 630-499-2121

Revision History

Revision	Revision Date	Note
00	11/20/19	Initial Product Brief
01	07/09/21	Updated Certifications

JANUS REMOTE
COMMUNICATIONS

Division of The Connor-Winfield Corporation
2111 Comprehensive Dr. • Aurora, IL 60505
630.499.2121 • info@janus-rc.com

www.janus-rc.com



Making machines talk.

© Copyright 2018 Janus Remote Communications | Specifications subject to change without notice.
All Rights Reserved | See website for latest revision. | Not intended for life support applications.