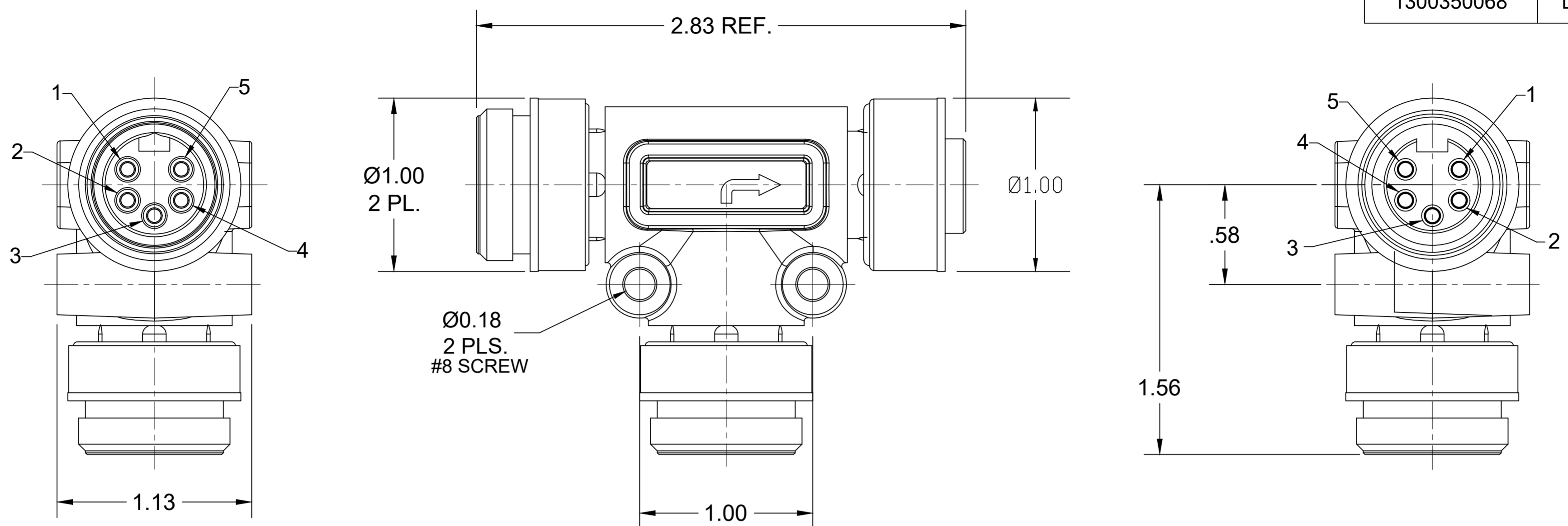
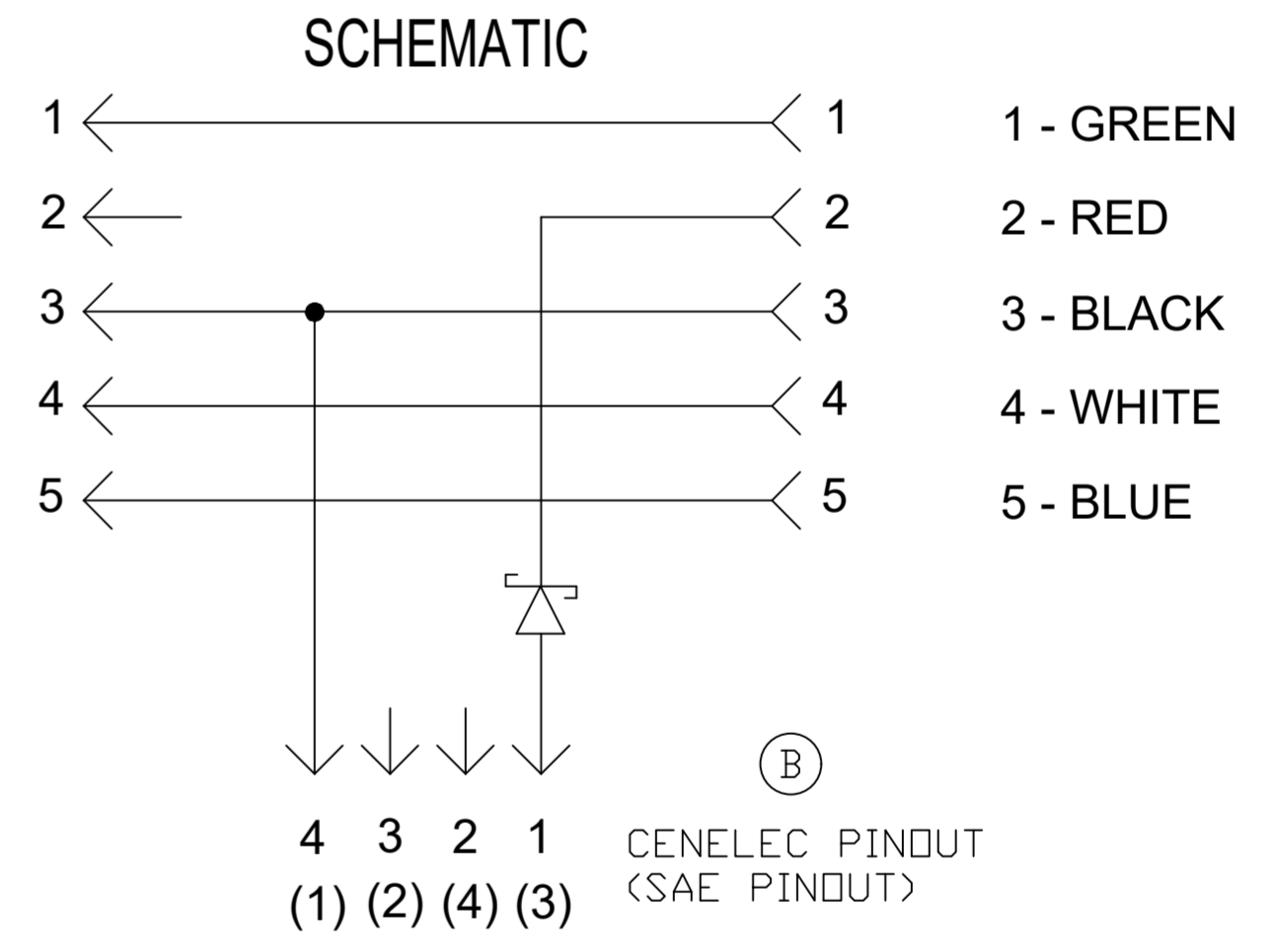
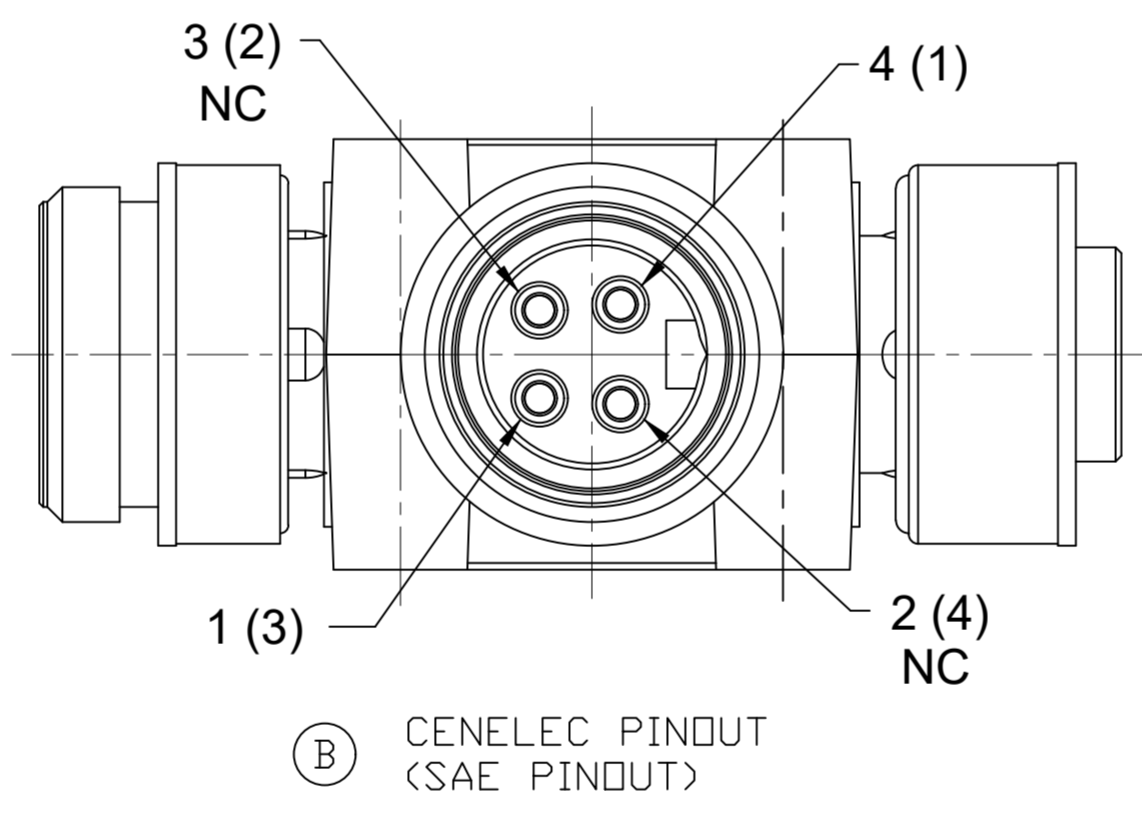


MATERIAL NUMBER	OLD PART NUMBER
1300350068	DN3030-PT-1



- NOTES:**
- MATERIAL: AS NOTED
 - FINISH: AS NOTED
 - ELECTRICAL:
VOLTAGE RATING PER IEC 60664: 600V
VOLTAGE RATING PER UL: 600V
CURRENT: 8A
 - TEMP RATING: -20° TO +105°C
 - PROTECTION: IP67 (WHEN MATED)
 - COUPLING THREAD: 7/8-16 UN
 - CONTACT RESISTANCE: 5 MILLIOMS MAX.
ISOLATION RESISTANCE: 1000 MEGOHMS MIN.
 - ALL DIMENSIONS ARE FOR REFERENCE UNLESS TOLERANCED OR NOTED OTHERWISE



ITEM	COMPONENT	MATERIAL	FINISH
1	INSERT	TPE	GRAY
2	CONTACT SOCKET	COPPER ALLOY	GOLD OVER NICKEL
3	CONTACT PIN	COPPER ALLOY	GOLD OVER NICKEL
4	COUPLING NUT	ZINC DIE CAST	BLACK E-COATED
5	OVERMOLD	TPE	GRAY

THIS DRAWING CONTAINS INFORMATION THAT IS PROPRIETARY TO MOLEX ELECTRONIC TECHNOLOGIES, LLC AND SHOULD NOT BE USED WITHOUT WRITTEN PERMISSION

FUNCTIONAL SYMBOLS	DIMENSION UNITS	SCALE	CURRENT REV DESC: ADD CENELEC PINOUT & (SAE PINOUT)	
	INCH	NTS		
DIVISIONAL SYMBOLS	GENERAL TOLERANCES (UNLESS SPECIFIED)			
		mm	INCH	
DIVISIONAL SYMBOLS	4 PLACES	±----	±----	EC NO: 659771
	3 PLACES	±----	±0.005	DRWN: RSTONE 2021/03/31
	2 PLACES	±0.13	±0.01	CHK'D: ALEON01 2021/04/02
	1 PLACE	±0.25	±----	APPR: BWOODMAN 2021/04/02
	0 PLACES	±----	±----	INITIAL REVISION:
	ANGULAR TOL ±	0.5°		DRWN: GGUSTAFS 2015/04/09
	DRAFT WHERE APPLICABLE MUST REMAIN WITHIN DIMENSIONS			APPR: BWOODMAN 2015/04/17
	THIRD ANGLE PROJECTION	DRAWING	SERIES	DOCUMENT NUMBER
		C-SIZE	130035	SD-130035-017
				DOC TYPE/DOC PART/REVISION
				PSD 001 B
				MATERIAL NUMBER
				SEE CHART
				CUSTOMER
				GENERAL MARKET
				SHEET NUMBER
				1 OF 1