

# Customer Information Sheet

DRAWING No.: R6003-00 - R6022-00

SHEET 2 OF 2

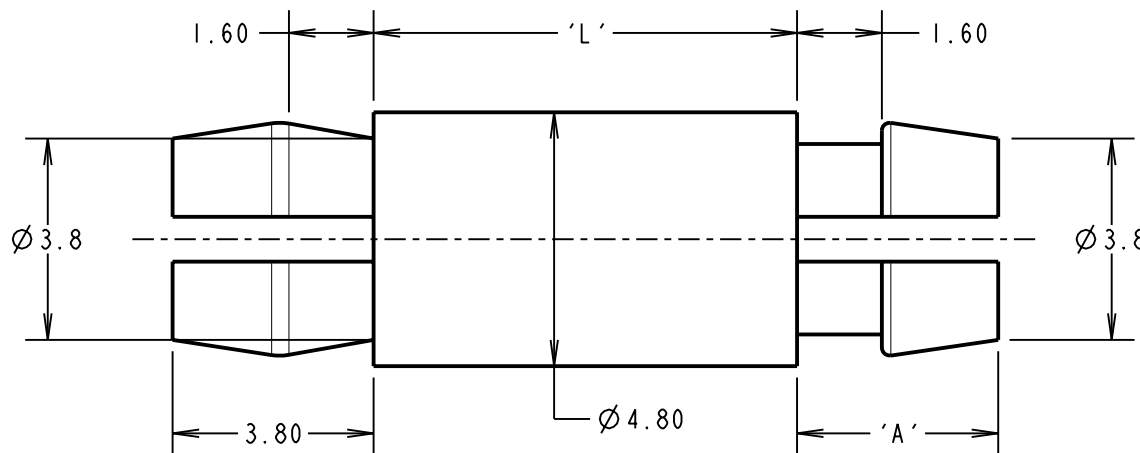
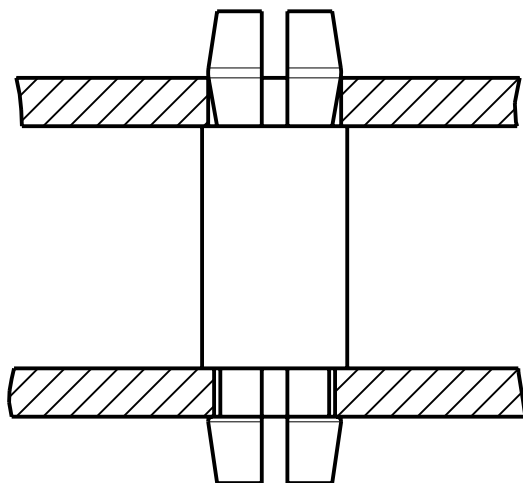
IF IN DOUBT - ASK

©

NOT TO SCALE

THIRD ANGLE PROJECTION

ALL DIMENSIONS IN mm



| PART No. | 'L'   | 'A'  |
|----------|-------|------|
| R6003-00 | 3.20  | 3.80 |
| R6006-00 | 6.30  | 3.80 |
| R6008-00 | 8.00  | 3.80 |
| R6010-00 | 10.50 | 3.80 |
| R6013-00 | 12.70 | 5.60 |
| R6022-00 | 22.20 | 5.60 |

**NOTES:**

- SUITABLE FOR 1.6mm THICK PCB.
- RECOMMENDED HOLE SIZE =  $\varnothing 4.0\text{mm} \pm 0.1\text{mm}$  FOR BOTH ENDS.

ORDER CODE:

**R60XX-00**

LENGTH 'L' IN mm

|                      |      |          |        |
|----------------------|------|----------|--------|
| CP                   | 8    | 04.03.10 | 10702  |
| NAME                 | ISS. | DATE     | C/NOTE |
| APPROVED: C. PENROSE |      |          |        |
| CHECKED: R. ADDE     |      |          |        |
| DRAWN: J. KEIR       |      |          |        |
| CUSTOMER REF.:       |      |          |        |
| ASSEMBLY DRG:        |      |          |        |

**HARWIN**

|  |  |  |
|--|--|--|
| HARWIN USA<br>TEL: 603 893 5376<br>FAX: 603 893 5396<br>mis@harwin.com | HARWIN Europe (UK)<br>TEL: 023 9231 4545<br>FAX: 023 9231 4590<br>mis@harwin.co.uk | HARWIN Asia<br>TEL: +65 6 779 4909<br>FAX: +65 6 779 3868<br>mis@harwin.com.sg |
|--|--|--|

THIS DRAWING AND ANY INFORMATION OR DESCRIPTIVE MATTER SET OUT HEREON ARE CONFIDENTIAL AND COPYRIGHT PROPERTY OF THE HARWIN GROUP AND MUST NOT BE DISCLOSED, LOANED, COPIED OR USED FOR MANUFACTURING, TENDERING OR FOR ANY OTHER PURPOSE WITHOUT THEIR WRITTEN PERMISSION.

**TOLERANCES**

X. =  $\pm 1\text{mm}$   
 X.X =  $\pm 0.25\text{mm}$   
 X.XX =  $\pm 0.10\text{mm}$   
 X.XXX =  $\pm 0.01\text{mm}$

ANGLES =  $\pm 5^\circ$   
 UNLESS STATED

**MATERIAL:**

NYLON 66, UL94V-2  
 NATURAL

FINISH: CLEAN

S/AREA: mm<sup>2</sup>

**TITLE:**

PLASTIC SPACER  
 SELF LOCKING

DRAWING NUMBER:

**R6003-00 - R6022-00**

SHT  
 2 OF 2

# Customer Information Sheet

DRAWING No.: R6009-00

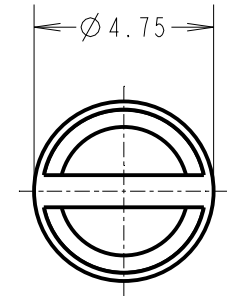
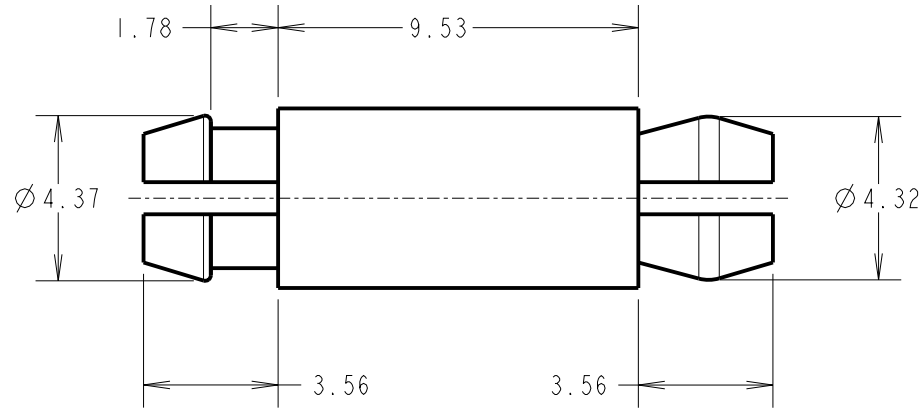
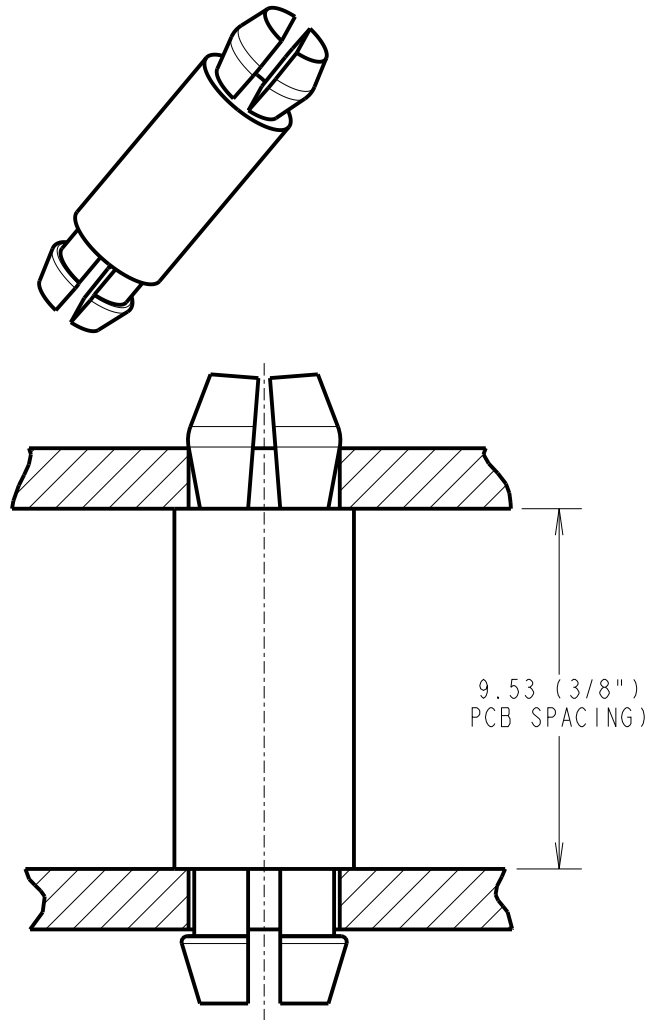
IF IN DOUBT - ASK

©

NOT TO SCALE

THIRD ANGLE PROJECTION

ALL DIMENSIONS IN mm



NOTES:

1. SUITABLE FOR 1.60mm THICK PCB.
2. RECOMMENDED HOLE SIZE  $\varnothing 4.0$ mm FOR BOTH ENDS.
3. ALL TOLERANCE  $\pm 0.13$ mm UNLESS OTHERWISE STATED.

|                 |      |          |       |
|-----------------|------|----------|-------|
| MGP             | 6    | 22.03.23 | 32394 |
| NAME            | ISS. | DATE     | CN/CO |
| APPROVED: MGP   |      |          |       |
| CHECKED: MR     |      |          |       |
| DRAWN: A.LIOTTA |      |          |       |
| CUSTOMER REF.:  |      |          |       |
| ASSEMBLY DRG:   |      |          |       |

**HARWIN**

www.harwin.com  
technical@harwin.com

THIS DRAWING AND ANY INFORMATION OR DESCRIPTIVE MATTER SET OUT HEREON ARE CONFIDENTIAL AND COPYRIGHT PROPERTY OF THE HARWIN GROUP AND MUST NOT BE DISCLOSED, LOANED, COPIED OR USED FOR MANUFACTURING, TENDERING OR FOR ANY OTHER PURPOSE WITHOUT THEIR WRITTEN PERMISSION.

~~TOLERANCES~~  
~~X =  $\pm 1$ mm~~  
~~X.X =  $\pm 0.50$ mm~~  
~~X.XX =  $\pm 0.20$ mm~~  
~~X.XXX =  $\pm 0.01$ mm~~  
~~ANGLES =  $\pm 5^\circ$~~   
~~UNLESS STATED~~

MATERIAL:

NYLON 6/6 UL94V-2

FINISH: CLEAN

S/AREA: mm<sup>2</sup>

TITLE:

PLASTIC SPACER  
SELF LOCKING

DRAWING NUMBER:

**R6009-00**

SHT  
2 OF 2