

6

5

4

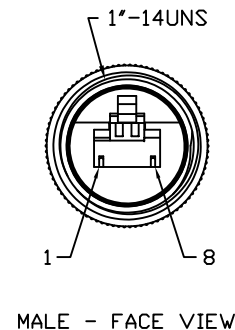
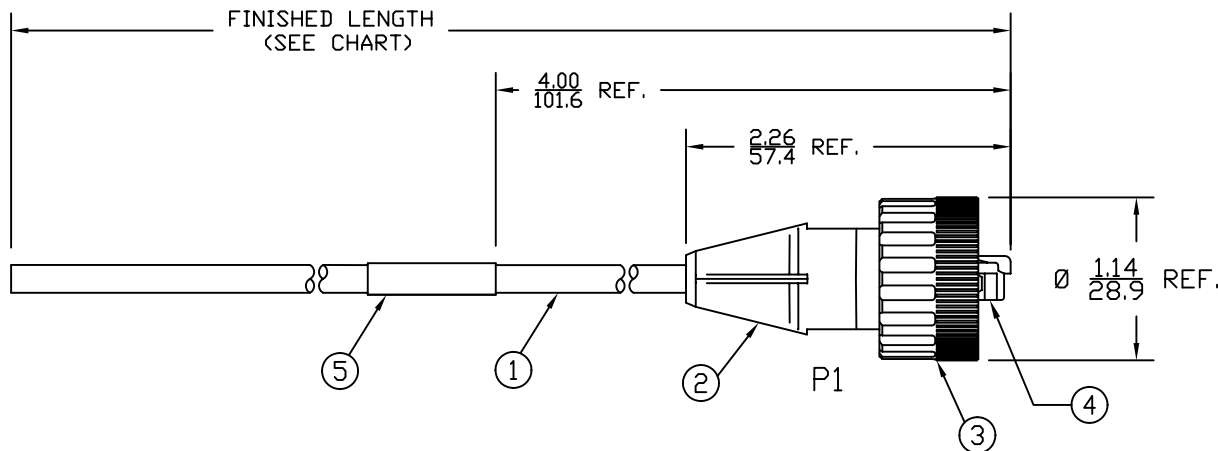
3

2

1

MATERIAL NUMBER	ENGINEERING NO.	LENGTH ± TOLERANCE
1300500277	ENS1105M010	3' 3" +2.19"/-0" [1M +55.6/-0 mm]

AUX VIEW
SCALE 1:4



P1

WHITE/BLUE	1
BLUE	2
WHITE/ORG	3
NOT USED	4
NOT USED	5
ORANGE	6
NOT USED	7
NOT USED	8
SHIELD	SHLD

WIRING DIAGRAM

NOTES:

- 1) MATERIAL: SEE TABLE
- 2) FINISHES: SEE TABLE
- 3) CABLE: #24/8 SHIELDED TWISTED PAIR, PUR
- 4) ELECTRICAL DATA:
ACCORDING TO CAT5e ETHERNET STANDARD
MAX. VOLTAGE: 30V
MAX. CURRENT 1.5A
- 5) ENVIRONMENTAL:
PROTECTION IP67
TEMPERATURE RANGE: -20°C TO +80°C
- 6) WRAP LABEL IS MARKED WITH P/N & DATE CODE.
- 7) ASSEMBLY IS RoHS COMPLIANT.

ITEM	QTY.	DESCRIPTION	MATERIAL	FINISH
5	1	LABEL	PLASTIC FILM	BLACK/YELLOW
4	1	RJ45 PLUG	POLYCARBONATE	CLEAR
3	1	COUPLING NUT	ABS	BLACK
2	1	OVERMOLD	TPE	BLACK
1	1	ETHERNET CABLE-CAT5E	PUR JACKET	BLACK

SD RELEASE EC NO: WNA2010-0442 DRWN: TVICKERS 2010/01/18 CHKD: BWOODMA APPR: DTTITUS 2010/01/19	QUALITY SYMBOLS ▽=0 ▽C=0	GENERAL TOLERANCES (UNLESS SPECIFIED)		DIMENSION STYLE IN/MM		SCALE 1:1	DESIGN UNITS INCH	THIRD ANGLE PROJECTION	
			mm	INCH	DRAWN BY	DATE	TITLE		
		4 PLACES	±---	±---	---	---	INDUSTRIAL ETHERNET ASSY		
		3 PLACES	±---	±.005	BWOODMAN	2010/01/18	8P MALE 10 BASE-T		
2 PLACES	±0.13	±.010	APPROVED BY	DATE	#24/8 PUR SHIELDED CABLE				
1 PLACE	±0.25	±.020	DTITUS	2010/01/19	MOLEX INCORPORATED				
ANGULAR ±1/2°		DRAFT WHERE APPLICABLE MUST REMAIN WITHIN DIMENSIONS		MATERIAL NO. SEE CHART		DOCUMENT NO. SD-130050-025		SHEET NO. 1 OF 1	
A		A		THIS DRAWING CONTAINS INFORMATION THAT IS PROPRIETARY TO MOLEX INCORPORATED AND SHOULD NOT BE USED WITHOUT WRITTEN PERMISSION					

6

5

4

3

2

1

E

E

D

D

C

C

B

B

A

A