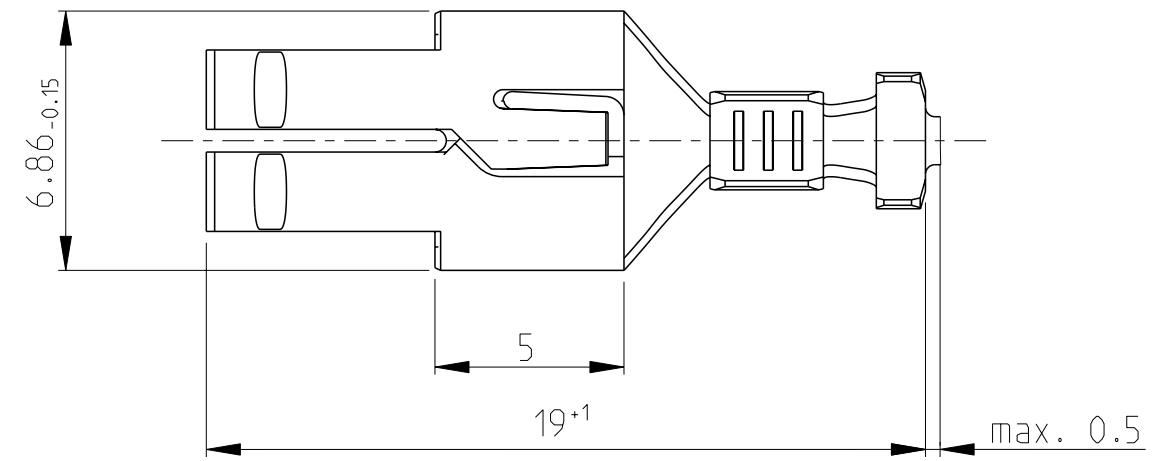
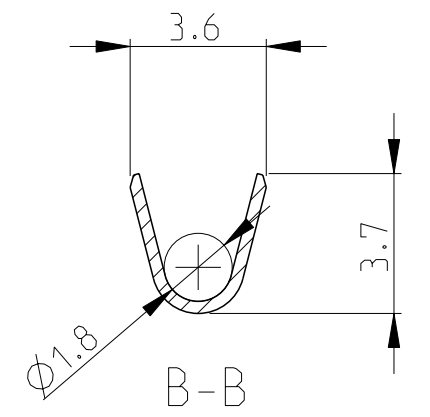
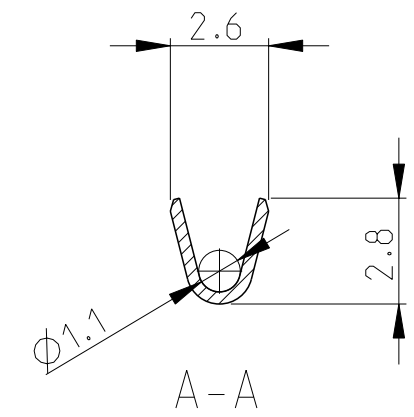
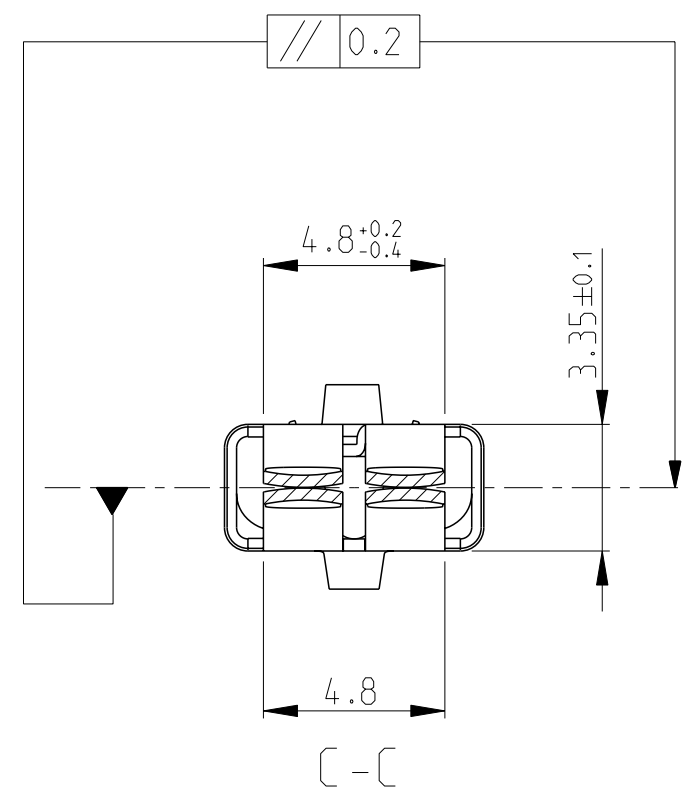
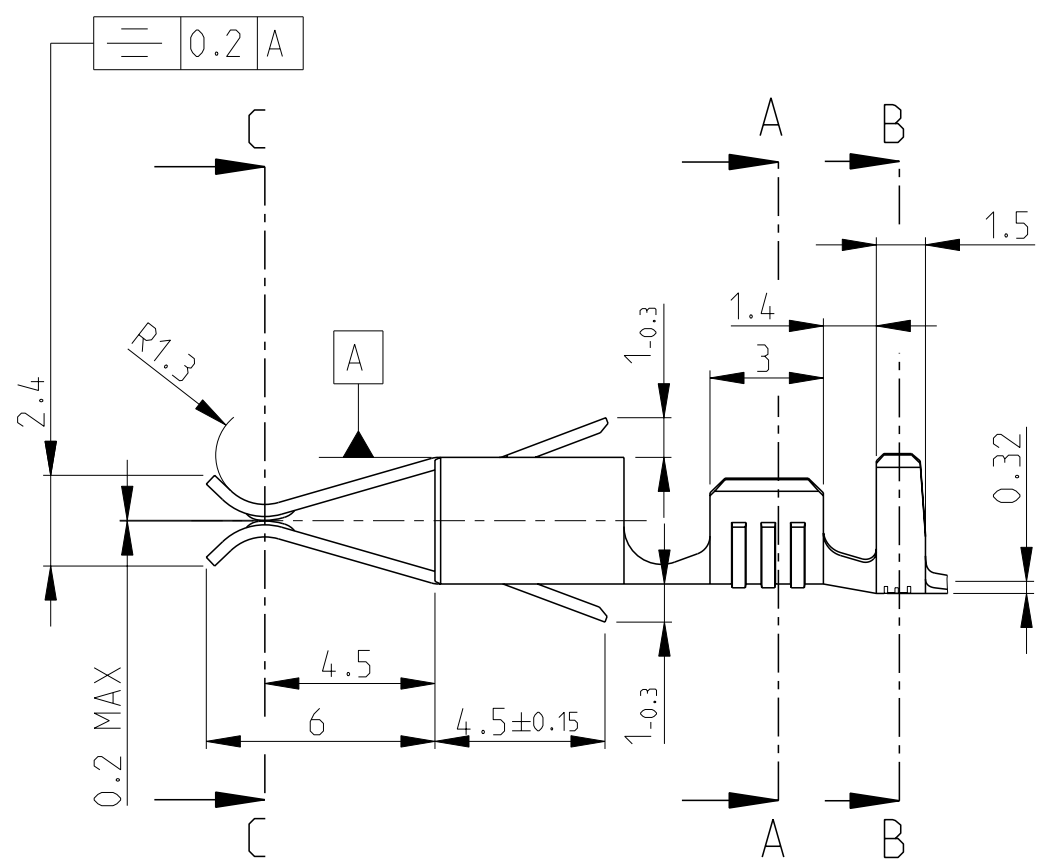


THIS DRAWING IS UNPUBLISHED. RELEASED FOR PUBLICATION 2011
 © COPYRIGHT 2011 ALL RIGHTS RESERVED.

| LOC | DIST | REVISIONS | | | | |
|-----|------|-------------|---------------------------|-----------|--------|--|
| P | LTR | DESCRIPTION | DATE | DWN | APVD | |
| | | C3 | ECR-15-016432 | 18NOV2015 | KD RR | |
| | | C4 | ECR-15-018664 | 28DEC2015 | KD RR | |
| | | C5 | ECR-17-005296 | 12APR2017 | KD RR | |
| | | C6 | REVISED PER ECR-20-100299 | 10AUG2020 | BDA WW | |



WIRE CRIMP SELECTION TABLE
 WIRE: "F" CRIMP
 INSULATION: OVERLAPPING CRIMP

| WIRE CROSS SECTION (mm ²) | | | | | |
|---------------------------------------|---------------------------------------|------|------|------|--|
| SINGLE WIRE | WIRE CROSS SECTION (mm ²) | | | | |
| | 0.35 | 0.50 | 0.75 | 1.00 | |
| 0.35 | X | X | | | |
| 0.50 | X | X | X | | |
| 0.75 | X | | | | |
| 1.00 | X | | | | |

| LOOSE PIECE | FINISH | MATERIAL | PART NO. | REV. |
|-------------|---------|----------|----------|------|
| - | PRE-TIN | CuNiSi | 964201-4 | C |
| - | PRE-TIN | CuFe | 964201-3 | C |
| - | PRE-TIN | CuSn | 964201-2 | C |
| - | PRE-TIN | CuZn30 | 964201-1 | C |

SINGLE WIRE RANGE: 0.5 - 1.0 mm²
 INSULATION RANGE: Ø1.4 - 2.3 mm

THIS DRAWING IS A CONTROLLED DOCUMENT.

| | | | |
|-------------------|--|--------------------------------|--|
| DIMENSIONS: mm | TOLERANCES UNLESS OTHERWISE SPECIFIED: ±0.2 | DWN J. Salo 20-AUG-10 | |
| | | CHK R. Sole 25AUG2010 | |
| | | APVD L. Batllo 25AUG2010 | |
| | | PRODUCT SPEC | |
| MATERIAL | FINISH | APPLICATION SPEC | NAME STANDARD TIMER CONTACT WITH TWO LOCKING LANCES |
| | | WEIGHT | SIZE A3 |
| | | | CAGE CODE - |
| | | | DRAWING NO. C-964201 |
| | | | RESTRICTED TO |
| | | CUSTOMER DRAWING | SCALE 5:1 |
| | | | SHEET 1 OF 2 |
| | | | REV C6 |

THIS DRAWING IS UNPUBLISHED.

RELEASED FOR PUBLICATION

2011

© COPYRIGHT 2011

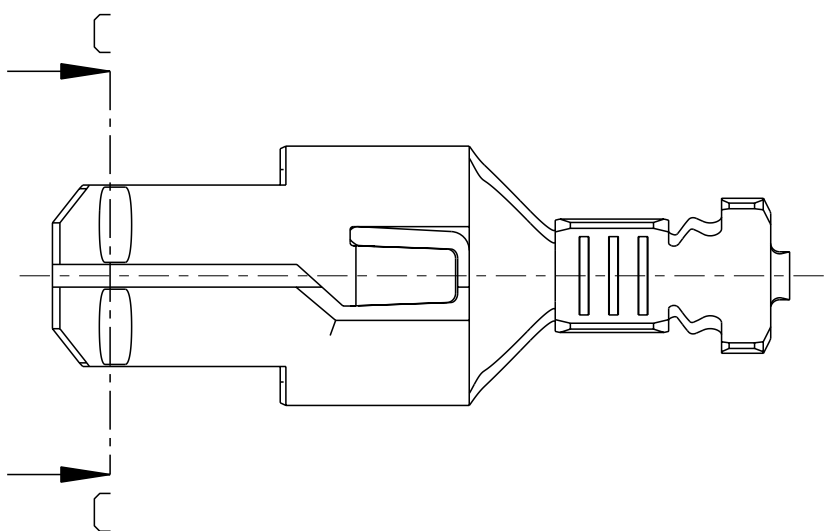
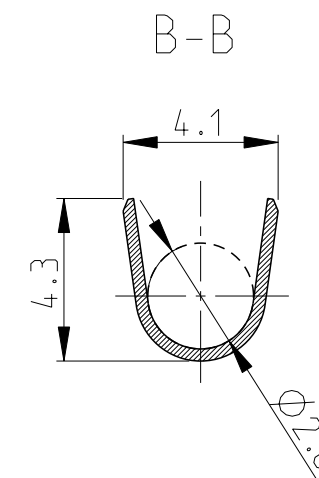
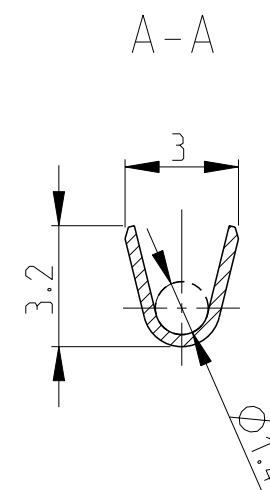
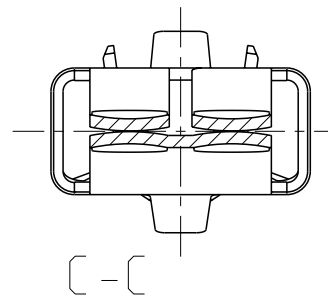
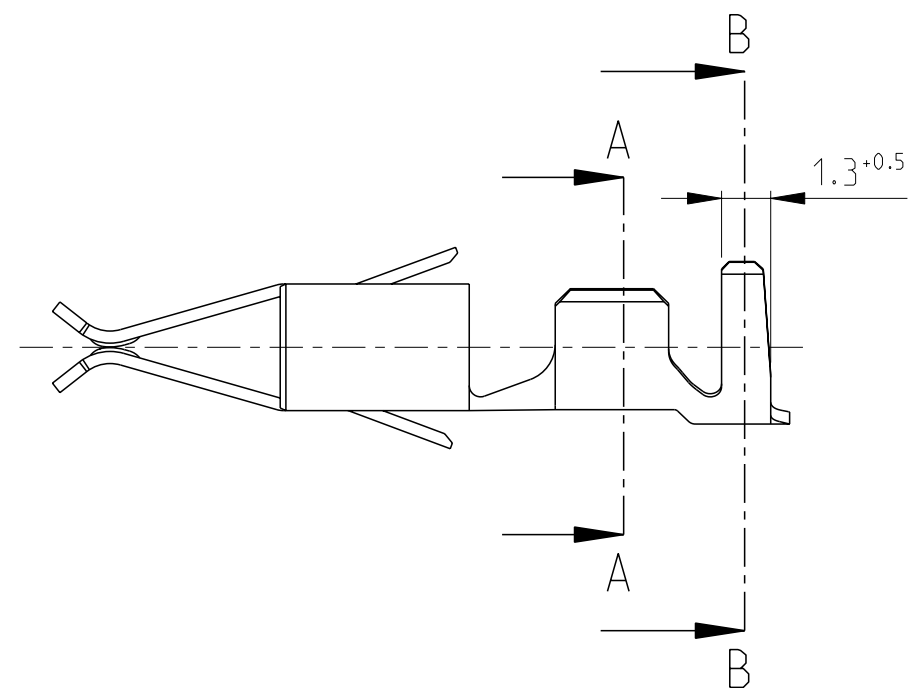
ALL RIGHTS RESERVED.

LOC

DIST

REVISIONS

| P | LTR | DESCRIPTION | DATE | DWN | APVD |
|---|-----|-------------|------|-----|------|
| - | - | SEE SHEET 1 | - | - | - |
| | | | | | |
| | | | | | |



WIRE CROSS SECTION (mm²)

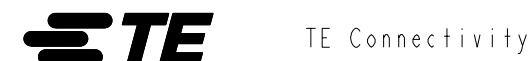
| | SINGLE WIRE | 0.50 | 0.75 | 1.00 | 1.50 |
|------|-------------|------|------|------|------|
| 0.50 | X | X | | | |
| 0.75 | X | | | | |
| 1.00 | X | | | | |
| 1.50 | X | | | | |

ATTENTION!
 ONLY FOR 3-969036-4
 OTHER DIMENSION SEE SHEET 1

| | | | | |
|-------------|---------|----------|------------|------|
| - | PRE-TIN | CuNiSi | 3-969036-4 | A |
| LOOSE PIECE | FINISH | MATERIAL | PART NO. | REV. |

THIS DRAWING IS A CONTROLLED DOCUMENT.

| | | |
|------------------|-----------|-----------|
| DWN | J. Salo | 20-AUG-10 |
| CHK | R. Sole | 25AUG2010 |
| APVD | L. Batllo | 25AUG2010 |
| PRODUCT SPEC | - | - |
| APPLICATION SPEC | - | - |
| WEIGHT | - | - |



STANDARD TIMER CONTACT WITH TWO LOCKING LANCES

| DIMENSIONS: | TOLERANCES UNLESS OTHERWISE SPECIFIED: |
|-------------|--|
| mm | |
| | 0 PLC ± |
| | 1 PLC ± ±0.2 |
| | 2 PLC ± ± |
| | 3 PLC ± ± |
| | 4 PLC ± ±° |
| MATERIAL | FINISH |
| - | - |

| SIZE | CAGE CODE | DRAWING NO | RESTRICTED TO |
|------|-----------|------------|---------------|
| A3 | - | C-964201 | - |

WIRE RANGE: 0.5 - 1.5 mm²
 INSULATION RANGE: Ø2.0 - 3.0 mm