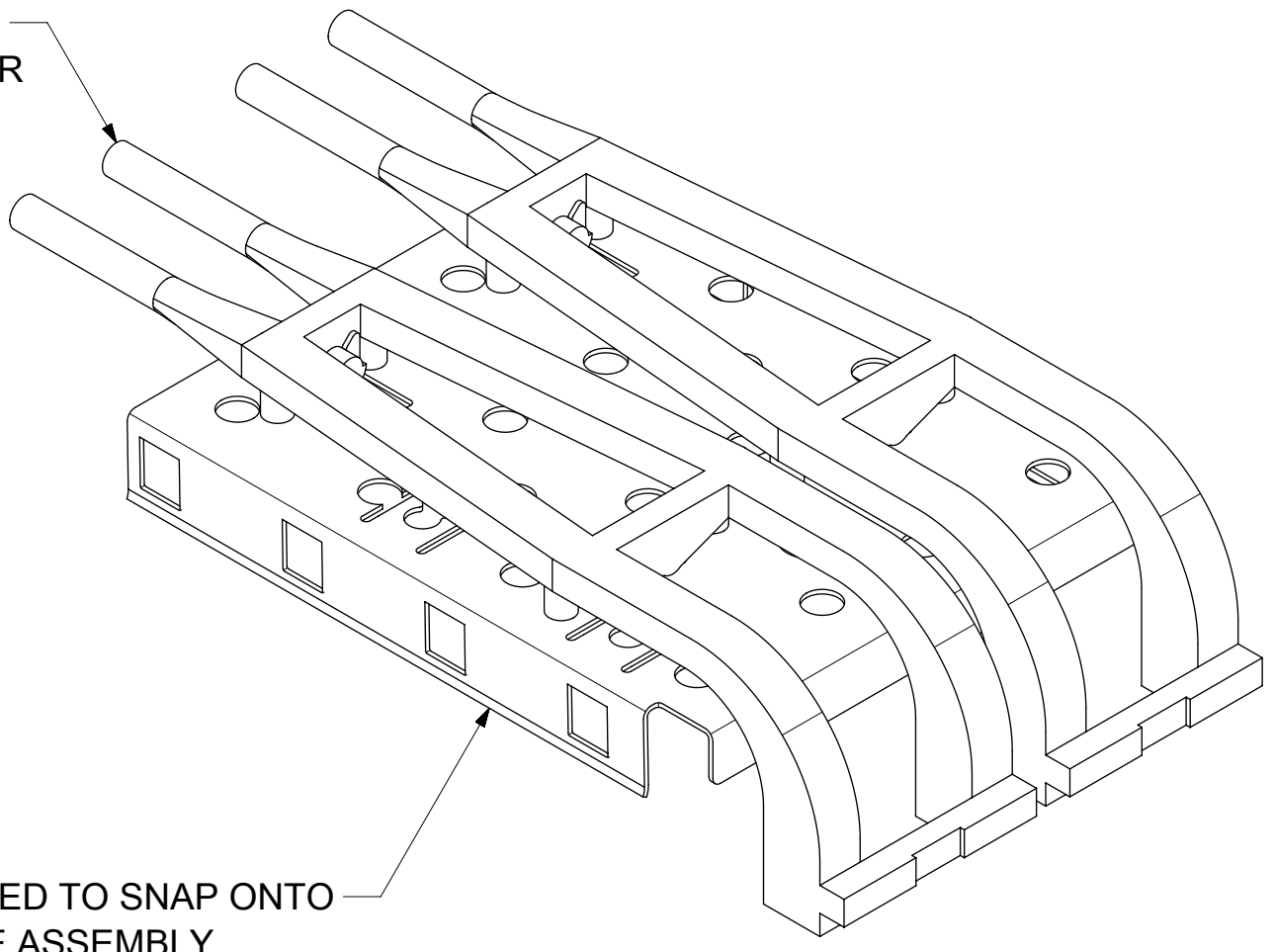
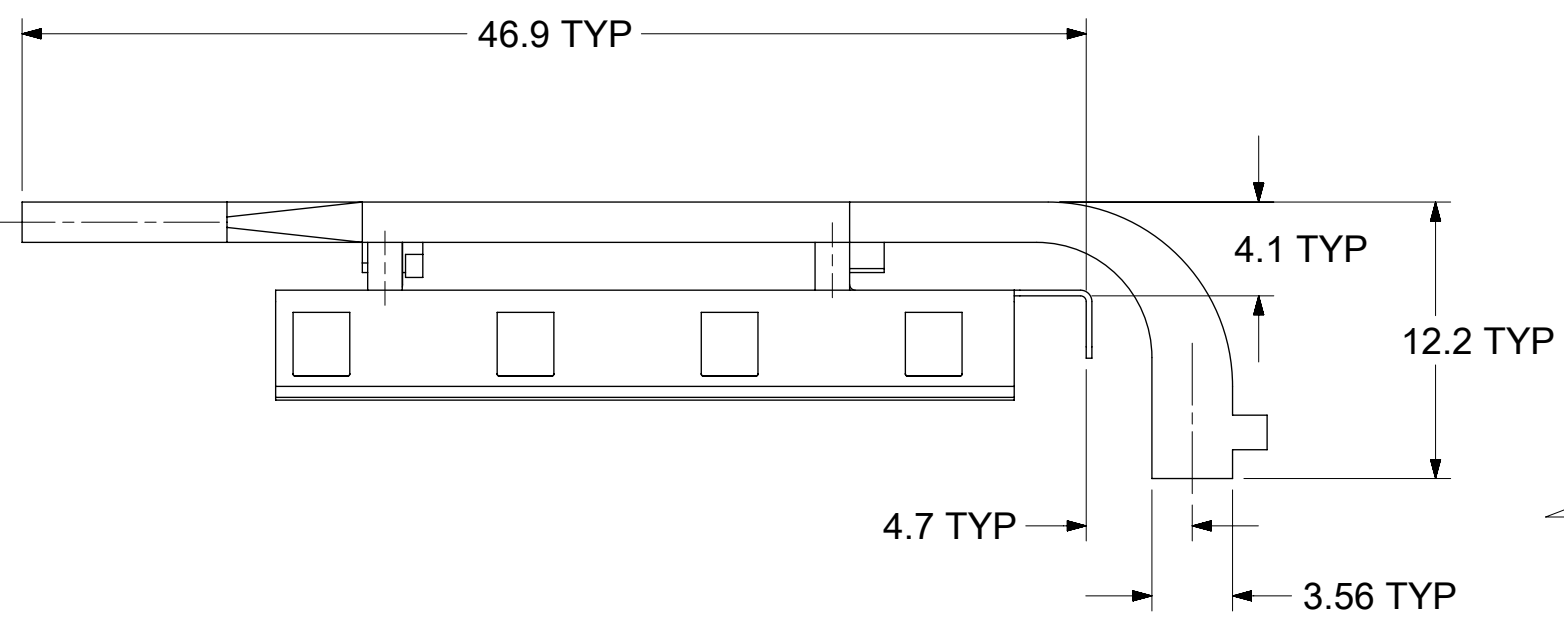
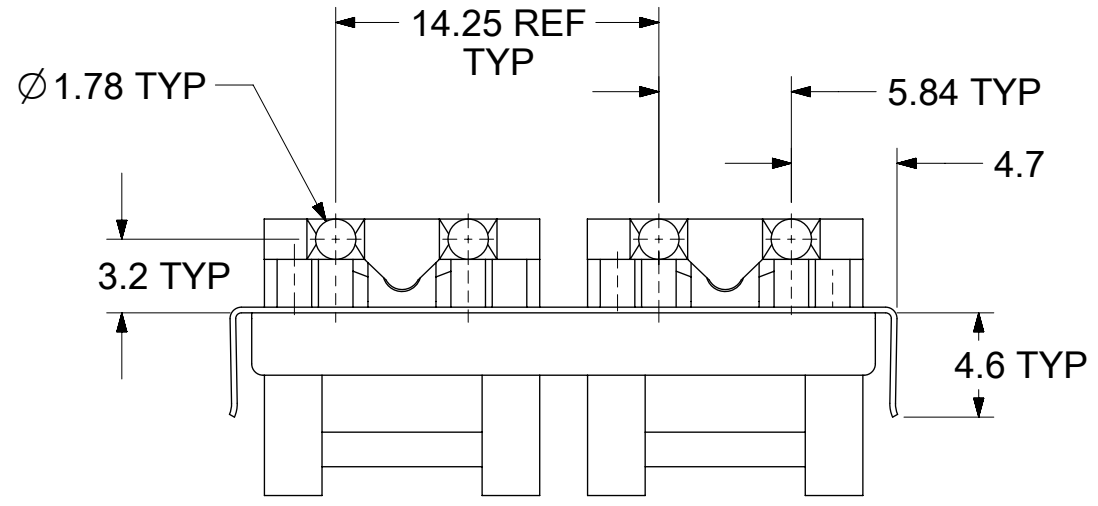


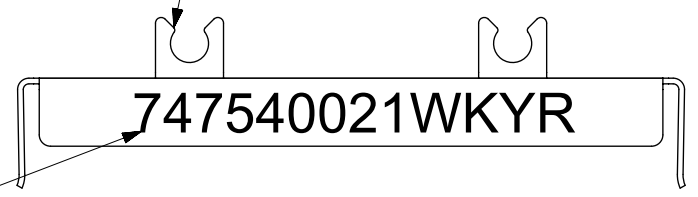
LIGHT PIPES SECURED TO METAL CAGE COVER



COVER DESIGNED TO SNAP ONTO THE SFP+ CAGE ASSEMBLY



LIGHT PIPE IS NOT SHOWN FOR CLARITY



P/N AND WEEK/YEAR DATE CODE TO BE PRINTED ON BACK OF COMPLETED CAGE ASSEMBLY APPROXIMATELY AS SHOWN.

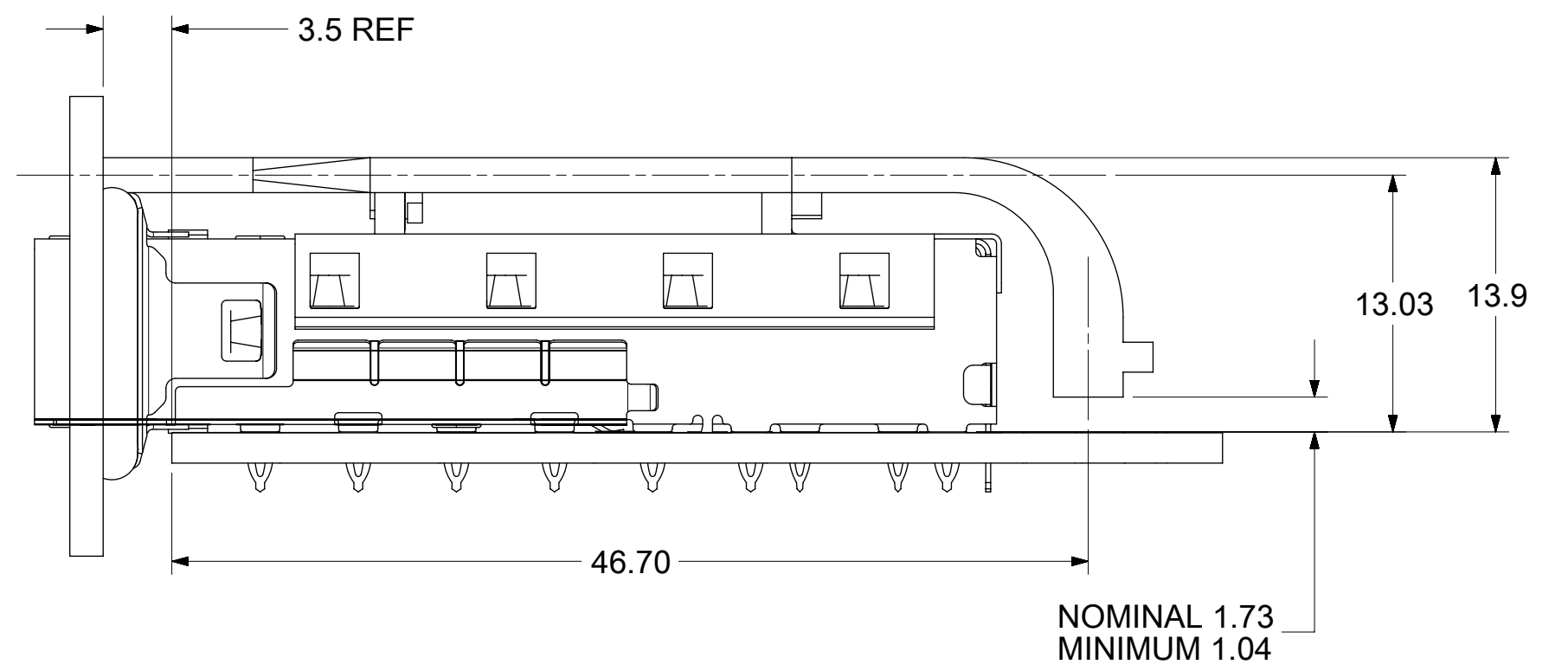
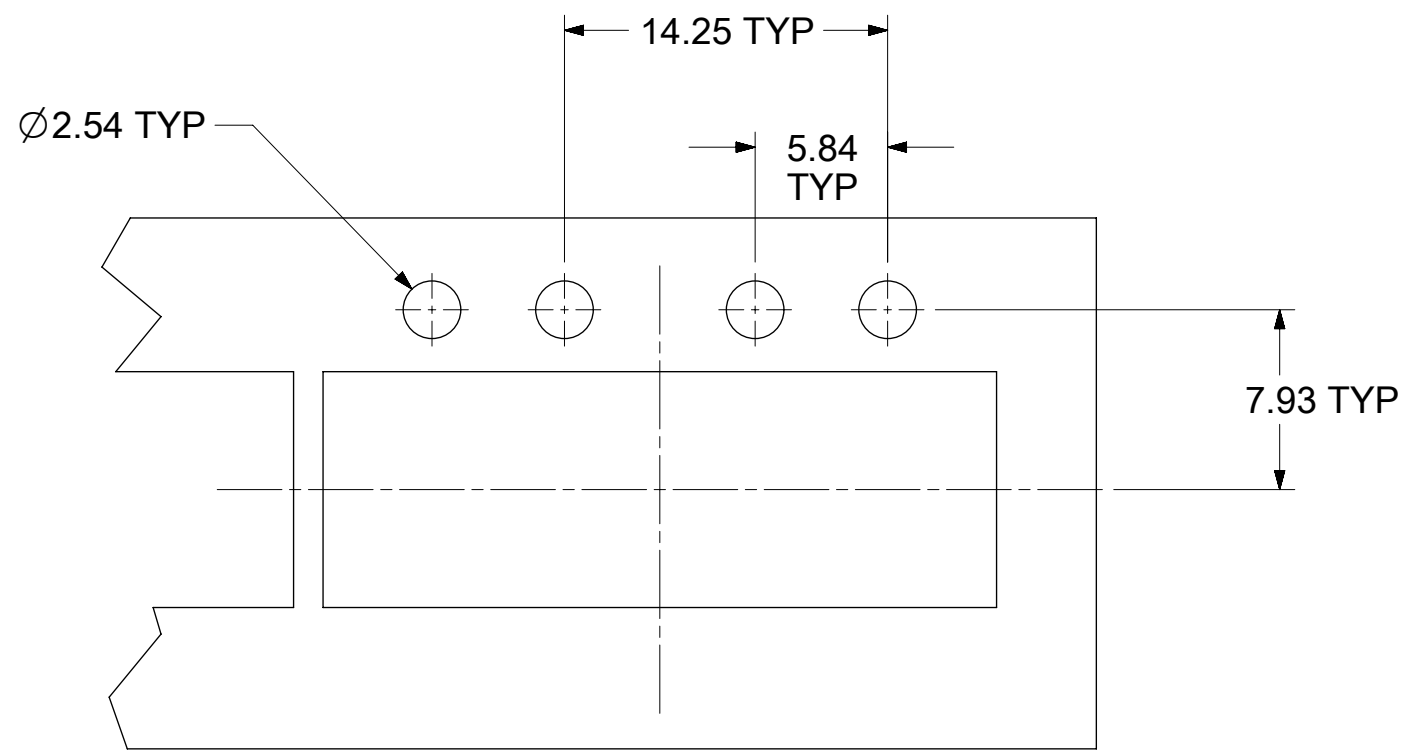
SEE TABLE BELOW FOR DATE CODE INFORMATION.

WEEK / YEAR DATE CODE TABLE	
WK	WEEK OF THE YEAR 01 THRU 52 OR 53 (EXAMPLE : 01 = FIRST WEEK OF YEAR, 52 OR 53 = LAST WEEK OF YEAR)
YR	19, 20, 21, ETC.... (EXAMPLE: YEAR 2019 = 19)

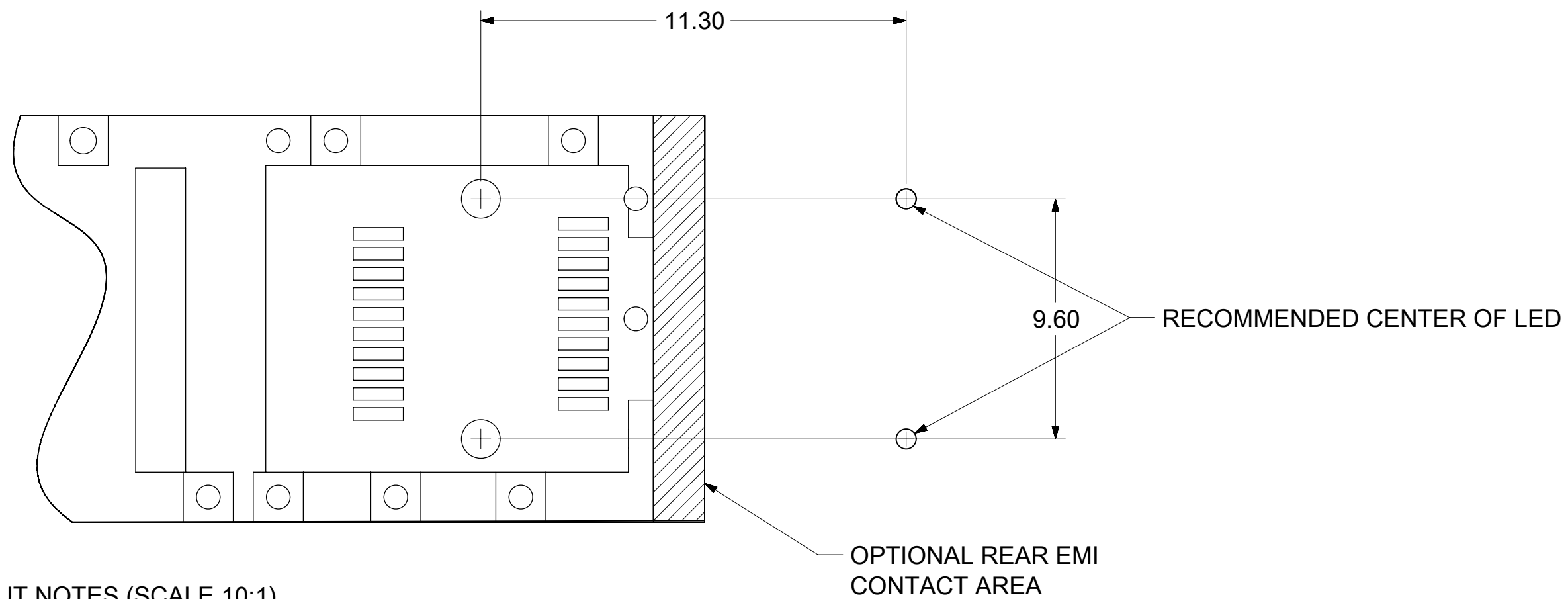
- MATERIAL:
COVER: COPPER ALLOY
LIGHT PIPE: POLYCARBONATE (94-V0 RATED)
- THIS LIGHT PIPE ASSEMBLY IS TO BE USED WITH THE SFP+ 1X2 CAGE ASSEMBLY P/N 7475402**
- IT IS RECOMMENDED THAT THE CAGE BE PRESSED INTO OR SOLDERED TO THE PCB PRIOR TO ASSEMBLING THE LIGHT PIPE ASSEMBLY.
- NO RoHS EXEMPTIONS.

THIS DRAWING CONTAINS INFORMATION THAT IS PROPRIETARY TO MOLEX ELECTRONIC TECHNOLOGIES, LLC AND SHOULD NOT BE USED WITHOUT WRITTEN PERMISSION

SEE REVISION TABLE EC NO: 610440 DRWN: VK10 CHKD: RCHEN08 APPR: RCHEN08	GENERAL TOLERANCES (UNLESS SPECIFIED) DIMENSION UNITS: mm SCALE: 3:1 ANGULAR TOL ± 1.0 °	DRWN BY: SJKG DATE: 2017/03/01 CHKD BY: DSUN15 DATE: 2017/05/09		
	4 PLACES ± 3 PLACES ± 2 PLACES ± 0.15 1 PLACE ± 0.25 0 PLACES ±	APPR BY: RCHEN08 DATE: 2017/05/30		PRODUCT CUSTOMER DRAWING
	DRAFT WHERE APPLICABLE MUST REMAIN WITHIN DIMENSIONS	DRAWING SIZE: C THIRD ANGLE PROJECTION		SERIES: 74754 MATERIAL NUMBER: 747540021 CUSTOMER:
	DIMENSION UNITS: mm SCALE: 3:1	DOCUMENT NUMBER: 747540021 DOC TYPE: PSD DOC PART: ASY SHEET NUMBER: 1 OF 3		PRODUCT CUSTOMER DRAWING



HOST PCB EDGE NEAREST
SFP CAGE OPENING



HOST PCB LAYOUT NOTES (SCALE 10:1)

- LED SHOULD BE PLACED RELATIVE TO THE SFP CONNECTOR POST HOLES
- LAYOUT APPLIES TO EACH PORT

THIS DRAWING CONTAINS INFORMATION THAT IS PROPRIETARY TO MOLEX ELECTRONIC TECHNOLOGIES, LLC AND SHOULD NOT BE USED WITHOUT WRITTEN PERMISSION

SEE REVISION TABLE		GENERAL TOLERANCES (UNLESS SPECIFIED)		DIMENSION UNITS	SCALE	molex [®]		
EC NO:	610440	ANGULAR TOL ± 1.0 °		mm	3:1			
DRWN:	VK10	4 PLACES	±	DRWN BY	DATE	PRODUCT CUSTOMER DRAWING		
CHKD:	RCHE08	3 PLACES	±	SJKG	2017/03/01			
REV:	APP: RCHE08	2 PLACES	± 0.15	CHKD BY	DATE	74754	747540021	
		1 PLACE	± 0.25	DSUN15	2017/05/09	DOCUMENT NUMBER		
		0 PLACES	±	APPR BY	DATE	747540021		
		DRAFT WHERE APPLICABLE MUST REMAIN WITHIN DIMENSIONS		RCHE08	2017/05/30	DOC TYPE	DOC PART	SHEET NUMBER
				DRAWING SIZE	THIRD ANGLE PROJECTION	PSD	ASY	2 OF 3
				C				

