

**Material and Finish**

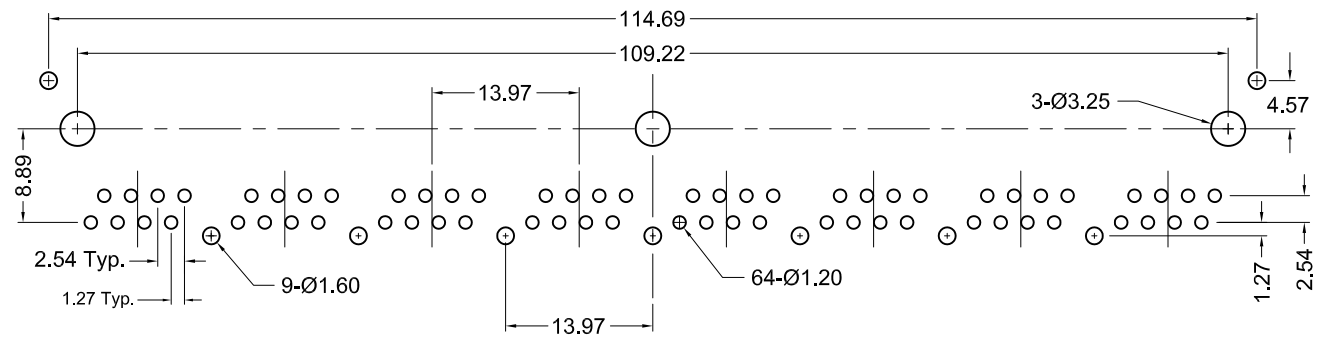
Body: PBT, glass filled  
 UL94V-0 rated  
 color: black  
 Shield: 0.25mm thick  
 Copper alloy,  
 Nickel plated  
 Contact: Phosphor Bronze  
 Gold plating options:  
 Standard: Gold flash plated  
 on contact area contact,  
 tin on termination end  
 Nickel underplate on entire  
 50 option: 50u" gold  
 to comply with FCC  
 requirements under #47  
 C.F.R. Part 68,  
 Subpart F  
 tin on termination end

**Electrical Characteristics**

Current Rating:  
 1.5 Amps  
 Voltage Rating:  
 125V DC  
 Insulation Resistance:  
 500 Megohms Min.  
 Dielectric Withstanding Voltage:  
 1000V rms, 60Hz  
 Contact Resistance:  
 20 milliohms Max.  
 Durability Rating:  
 500 Mating Cycles Min.  
 Operating Temperature:  
 -40°C to +85°C

**Electrical Performance**

Category 5 100MHz Bandwidth Performance  
 Performance meets near end crosstalk (NEXT)  
 Requirements of -40dB @ 100MHz per  
 EIA/TIA 568A in applications where UL  
 Approved Category 5 cable (GA27-3773-1)  
 is used  
 Shielded types offer 20dB shielding from  
 30MHz to 300MHz



Recommended PCB Layout  
 (Top View)

Part Number	Contact Area Plating Finish
GSGX-NS7-888-457	Gold Flash (standard option)
GSGX-NS7-888-45750	50u" Gold (-50 option)



Tolerances
X.X ± 0.25
X.XX ± 0.15
Unless Stated Otherwise

REV.	DATE	DESCRIPTION	REV. BY	CHK. BY	DRAWN BY	DATE
A1	07/05/05	New Drawing	R. Aguirre	H. MA	R. Aguirre	07/05/05
A2	3/4/08	ECO #08-030	R. Aguirre	H. MA		
A3	05/13/10	ECO #10-025	S. Vien	H. MA		
A4	12/11/13	ECO #13-090	D. Gih	H. MA	UNITS	mm
A5	06/26/15	ECO #15-001	H. MA	C. Furumasu		
A6	06/14/17	ECO #17-014	H. MA	C. Furumasu		

**GSGX-NS7-888-457**

8 Port Shielded gang-jack, RoHS Compliant

8 position/ 8 contacts per port

