

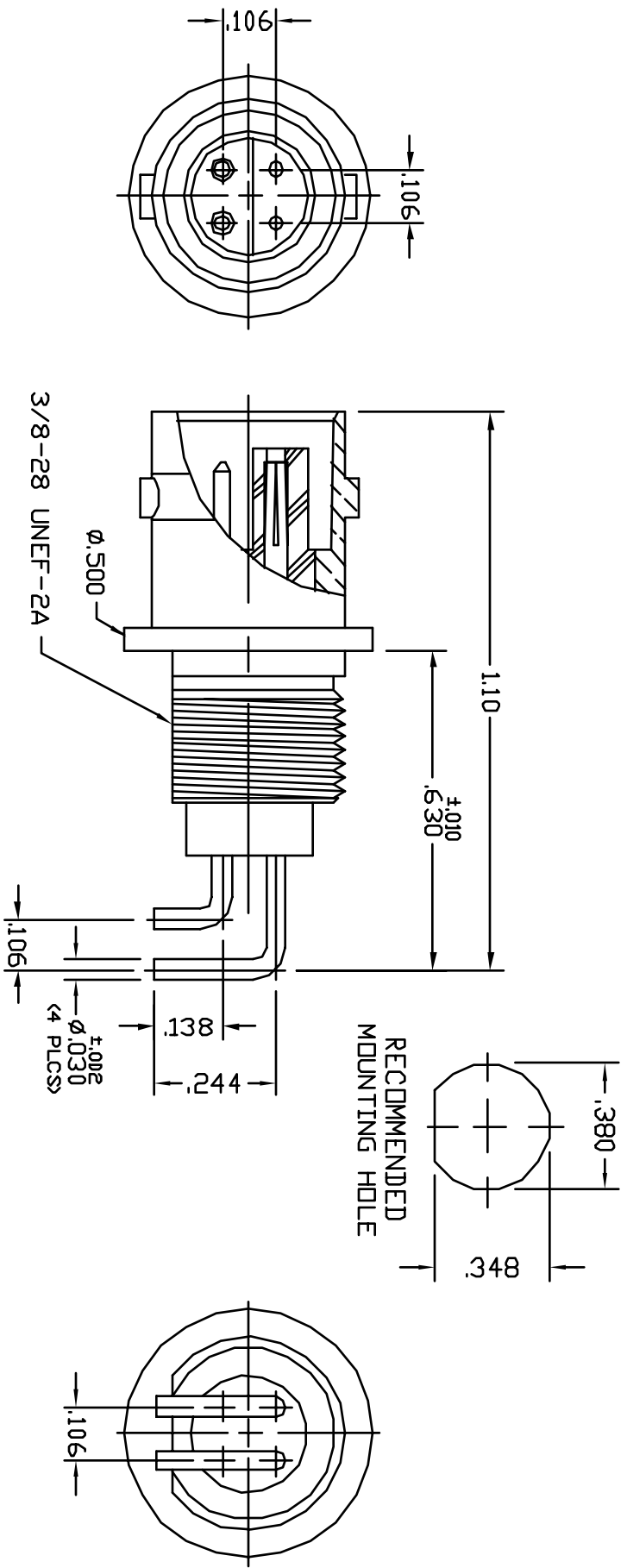
This document is the property of Berg Electronics. The design and specifications disclosed herein are proprietary and shall not be reproduced, copied or used for manufacture or sale of devices without expressed written authorization.

PART NO. 21JR123-1

MATERIAL BODY: BRASS PER ASTM B 16  
 M CONTACT: BRASS PER ASTM B 16  
 F CONTACT: BERYLLIUM COPPER PER ASTM B 196  
 INSULATOR: PTFE FLUOROCARBON, ASTM-D1710

FINISH: BODY: PROPRIETARY BRIGHT NICKEL (IP23)  
 CONTACTS: GOLD PLATE PER MIL-G-45204

IMPEDANCE: N/A  
 FREQUENCY RANGE: N/A  
 VOLTAGE RATING: 350 VRMS  
 INSULATION RESISTANCE: 5000 MEGOHMS  
 FORCE TO ENGAGE/DISENGAGE  
 LONGITUDINAL: 5 LB'S MAX  
 TORQUE: 3 1/2 IN-LB'S



COVER DRAWING

APPROVED		TITLE	
D GOULD 11-3-95	A	BNC QUADRAX	
D GOULD 11-29-95 REMOVE MTG HARDWARE UPDATE DIMS		A1	
TOLERANCES (EXCEPT AS NOTED)		DATE: 11-3-95	
DIM: .XXX ±.020		DRAWN BY: B THOMMEN	
ANGLES: ±1'		SCALE: 1:3	
COND.: .005 TR		CAD FILE: 7559	
SURF.: 64 ✓		PART NO. 21JR123-1	
FSCM NO. 24931		SHEET 1 OF 1	
RECEPTACLE		RECEPTACLE	