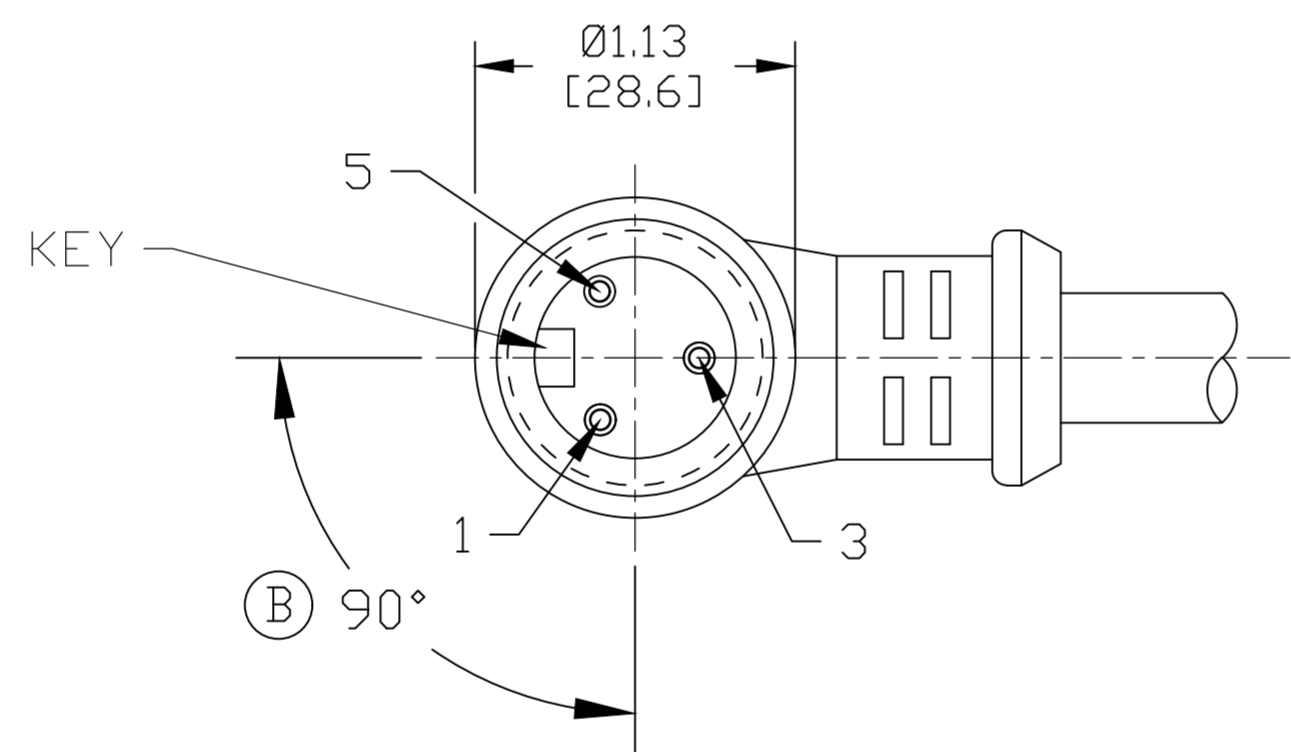
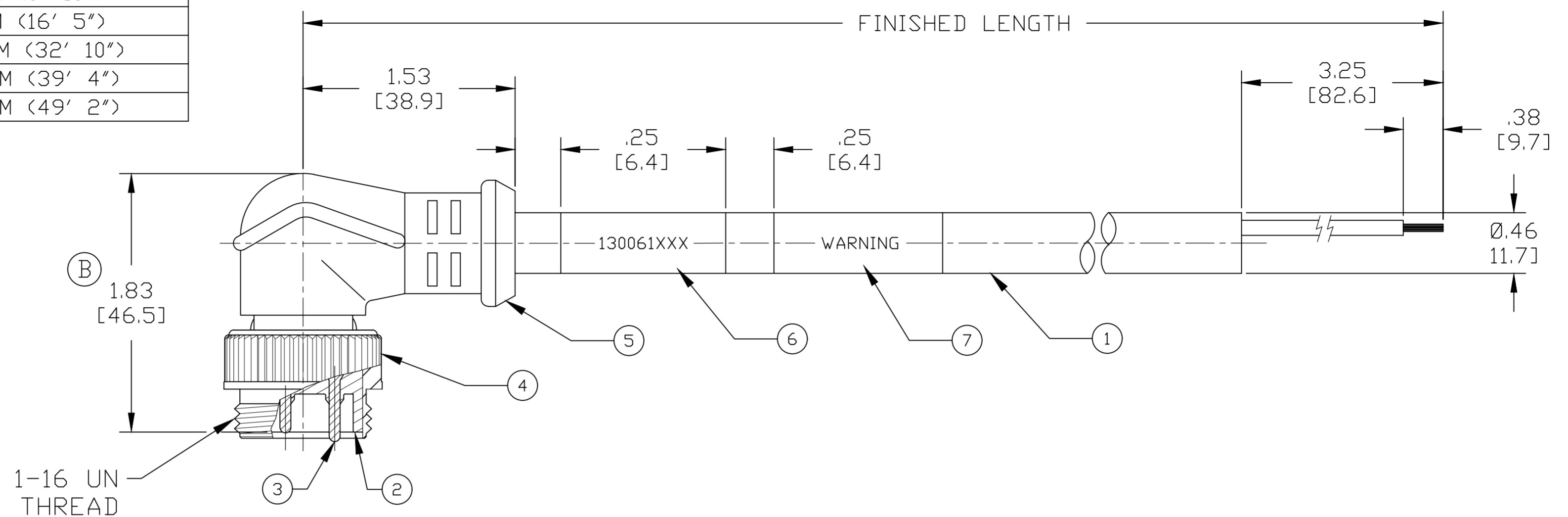


PART NO.	ENGINEERING NO.	FINISHED LENGTH
1300611080	203007A45M030	3M (9' 10")
1300611120	203007A45M050	5M (16' 5")
1300610224	203007A45M100	10M (32' 10")
1300611084	203007A45M120	12M (39' 4")
1300610229	203007A45M150	15M (49' 2")



PART NO. LEGEND  
 203007A45M030  
 CABLE TYPE: 16/3 TC-ER  
 FINISHED LENGTH:  
 M005= 0.5 METER  
 M030= 3 METER  
 M120= 12 METER

- NOTES:  
 1. MATERIAL: AS NOTED  
 2. FINISH: AS NOTED  
 3. ELECTRICAL:  
 VOLTAGE: 600V  
 CURRENT: 13A  
 4. TEMP RATING: -25°TO +80°C  
 5. PROTECTION: IP67 (WHEN MATED)  
 6. UL LISTED FILE: E258922  
 7. ALL DIMS ARE FOR REFERENCE UNLESS TOLERANCED OR NOTED OTHERWISE

- 1 BLACK  
 3 GREEN/YELLOW  
 5 WHITE

CABLE LENGTH TOLERANCES

>.3M [1FT]:	+19mm-0 [ +.75in-0]
.3 - .9M [1 - 3FT]:	+44.5mm-0 [+1.75in-0]
.9 - 1.8M [3 - 6FT]:	+55.6mm-0 [+2.19in-0]
1.8 - 3.7M [6 - 12FT]:	+88.9mm-0 [+3.50in-0]
3.7 - 7.3M [12 - 24FT]:	+165.1mm-0 [+6.50in-0]
7.3-14.6M [24 - 48FT]:	+317.5mm-0 [+12.50in-0]
14.6 - 30.5M [48-100FT]:	+622.3mm-0 [+24.50in-0]
OVER 30M [100FT]	+2% OF FINISHED LENGTH

ITEM	DESCRIPTION	MATERIAL	FINISH
7	WARNING LABEL	VINYL	ORANGE/BLACK
6	WRAP LABEL	VINYL	BLACK/YELLOW
5	OVERMOLD	TPE	GRAY
4	COUPLING NUT	ZINC DIE CAST	BLACK ANODIZE
3	CONTACT PIN	COPPER ALLOY	GOLD PLATED
2	MALE INSERT, 3P	TPE	BLACK
1	CABLE, 16/3 TC-ER	PVC JACKET	GRAY, BLACK STRIPE
	DESCRIPTION	MATERIAL	FINISH

THIS DRAWING CONTAINS INFORMATION THAT IS PROPRIETARY TO MOLEX ELECTRONIC TECHNOLOGIES, LLC AND SHOULD NOT BE USED WITHOUT WRITTEN PERMISSION

FUNCTIONAL SYMBOLS	DIMENSION UNITS: INCH/MM	SCALE: NTS	CURRENT REV DESC: O-MOLD WAS BLACK, O-MOLD DIM WAS 1.88, DIMS CHANGED TO IN/MM, ADD 90 DEG KEY ORIENTATION
GENERAL TOLERANCES (UNLESS SPECIFIED)	mm		INCH
4 PLACES	±----	±----	
3 PLACES	±----	±----	
2 PLACES	±----	±----	
1 PLACE	±----	±----	
0 PLACES	±----	±----	
DIVISIONAL SYMBOLS	ANGULAR TOL ± ---- °		
	DRAFT WHERE APPLICABLE MUST REMAIN WITHIN DIMENSIONS		
	THIRD ANGLE PROJECTION	DRAWING: C-SIZE	SERIES: 130061
	EC NO: 701133		2022/03/28
	DRWN: RSTONE		2022/03/29
	CHK'D: ALEON01		2022/03/30
	APPR: BWOODMAN		
	INITIAL REVISION:		
	DRWN: RSTONE		2018/06/18
	APPR: BWOODMAN		2018/06/21
	DOCUMENT NUMBER	DOC TYPE/DOC PART	REVISION
	SD-130061-042	PSD	001 B
	MATERIAL NUMBER	CUSTOMER	SHEET NUMBER
	SEE P/N LEGEND	GENERAL MARKET	1 OF 1