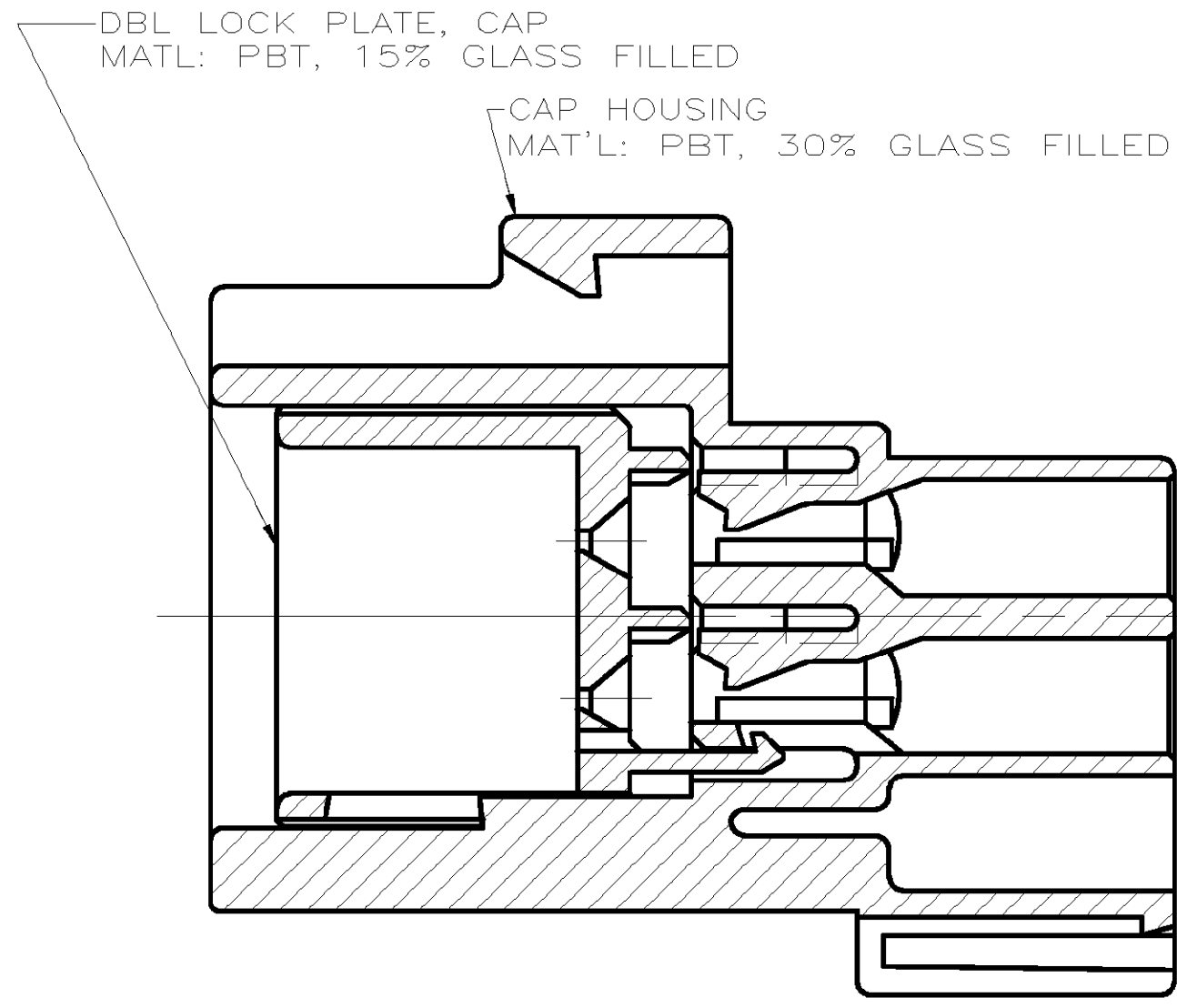
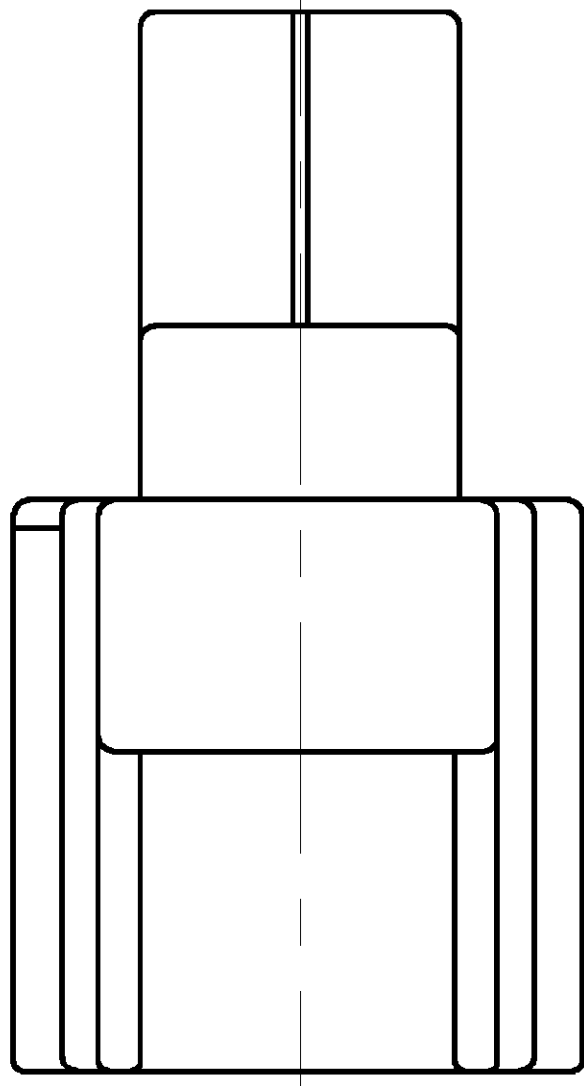
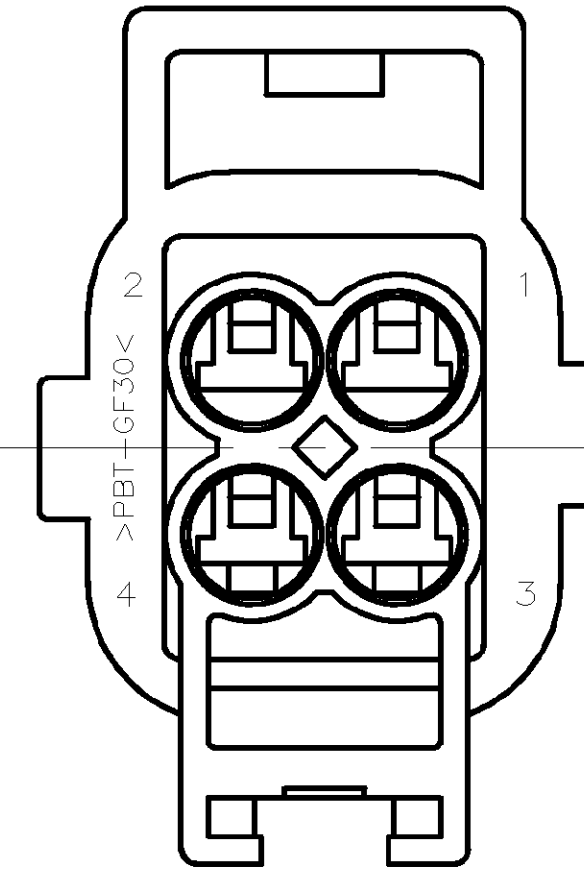
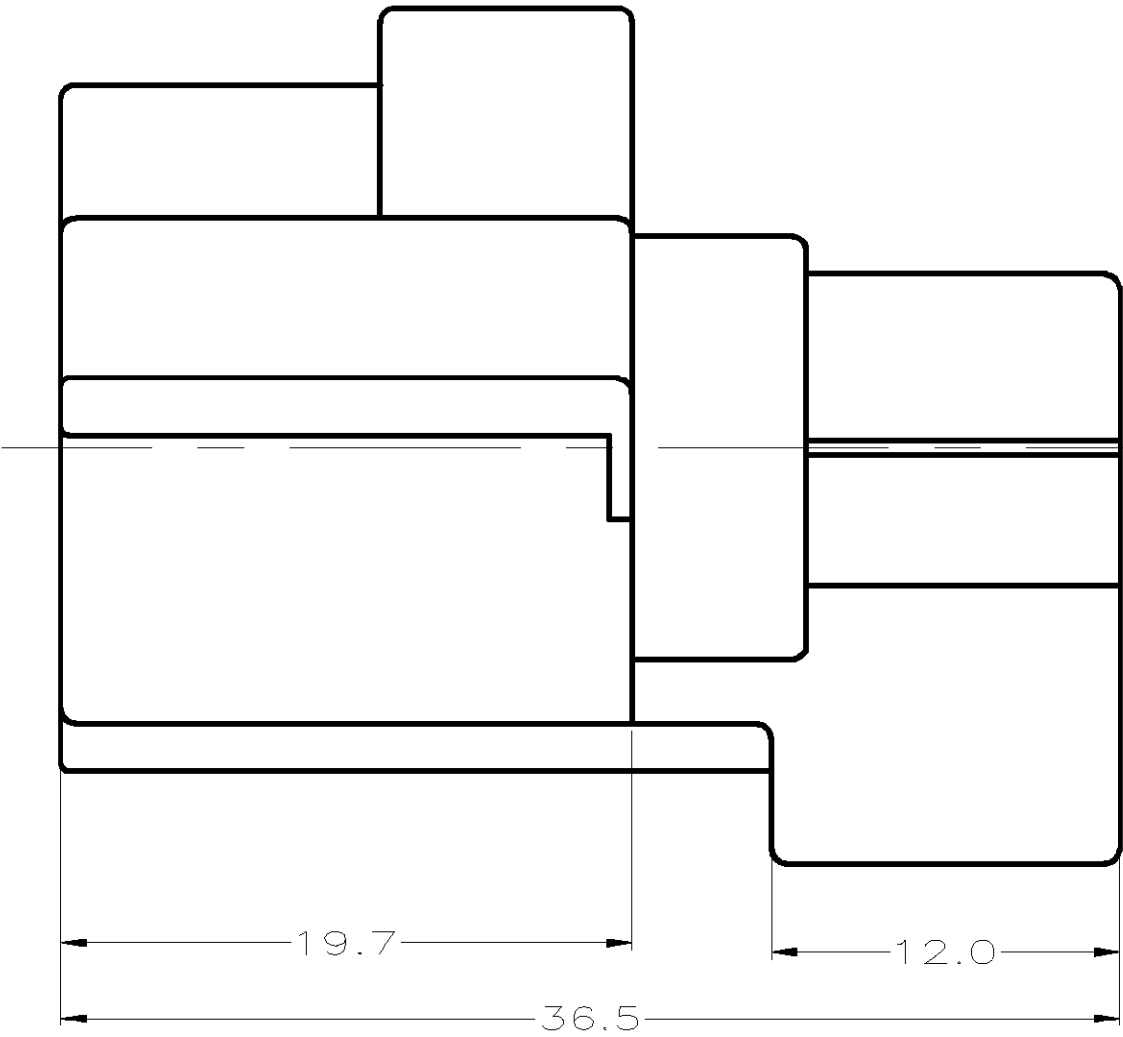
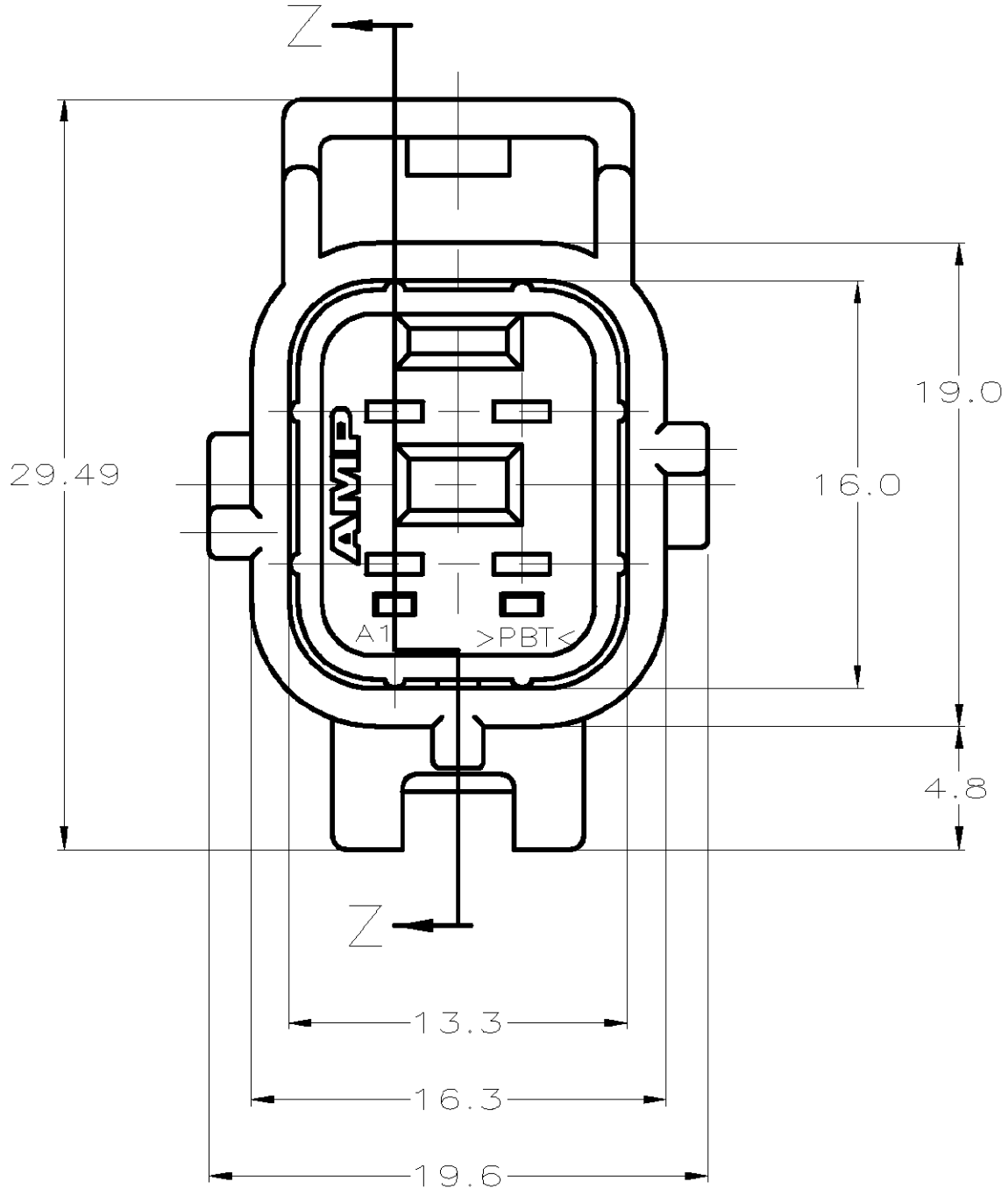


THIS DRAWING IS UNPUBLISHED. RELEASED FOR PUBLICATION
 © COPYRIGHT BY TYCO ELECTRONICS CORPORATION. ALL RIGHTS RESERVED.

LOC	DIST	REVISIONS			
P	LTR	DESCRIPTION	DATE	DWN	APVD
GE	00	D	EC 0K40-0651-02	25JUL02	JRB KLC



SECTION Z-Z
SCALE 4:1



BLACK	184357-1
CAP COLOR	PART NUMBER

THIS DRAWING IS A CONTROLLED DOCUMENT.		DWN P. YEAGER 02AU699	Tyco Electronics Corporation	
DIMENSIONS: MM		CHK G. INHOFFER 02AU699	Harrisburg, PA 17105-3608	
TOLERANCES UNLESS OTHERWISE SPECIFIED:		APVD G. INHOFFER 02AU699	NAME 2 X 2 CAP ASY, KEY C-C3	
0 PLC ± -	1 PLC ± 0.3	PRODUCT SPEC	-	
2 PLC ± 0.15	3 PLC ± -	APPLICATION SPEC	-	
4 PLC ± -	ANGLES ± -	WEIGHT	-	
MATERIAL	FINISH	CUSTOMER DRAWING	SIZE A2	CAGE CODE 00779
			DRAWING NO 184357	RESTRICTED TO -
			SCALE 4:1	SHEET 1 OF 1