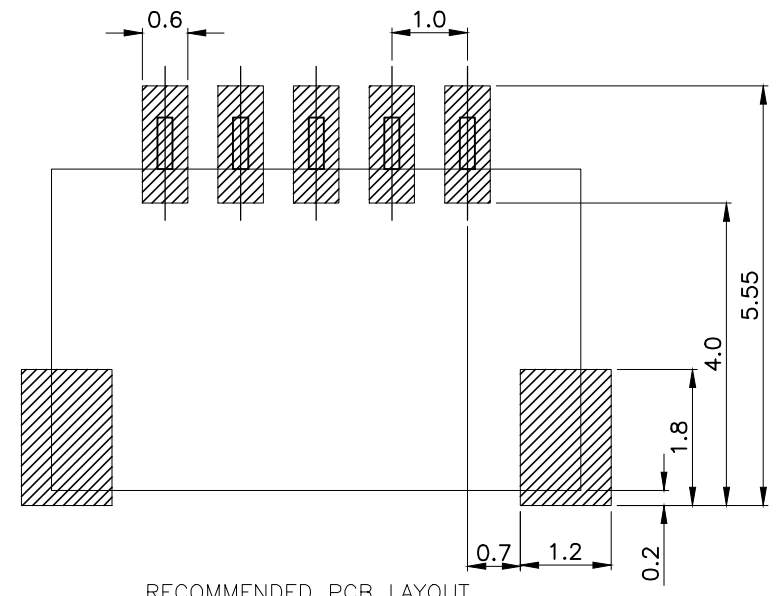
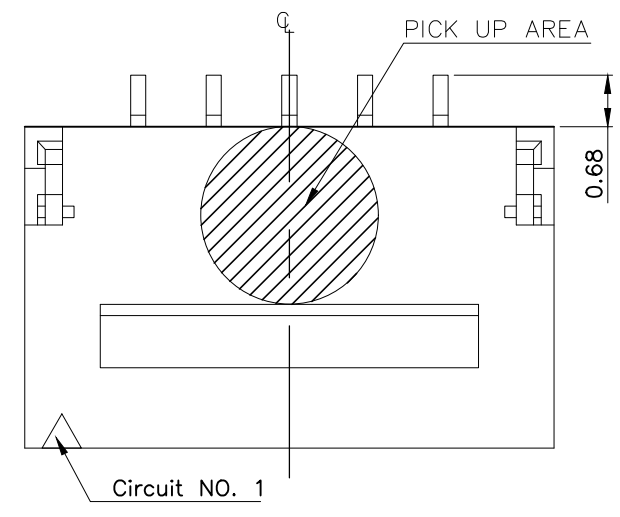
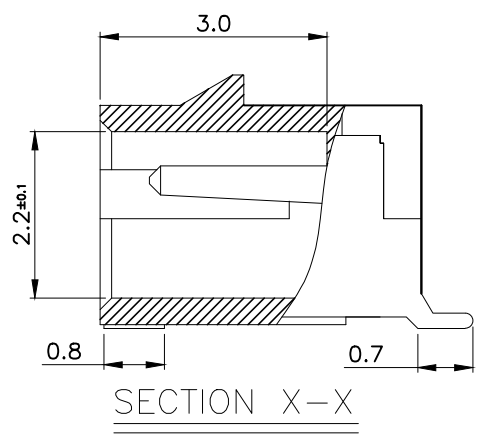
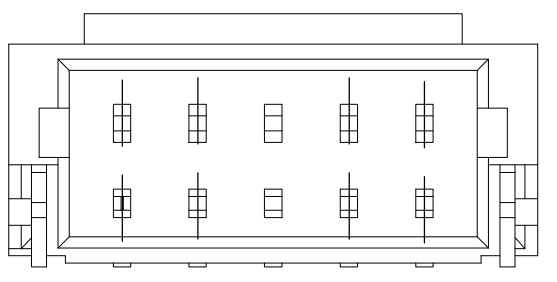
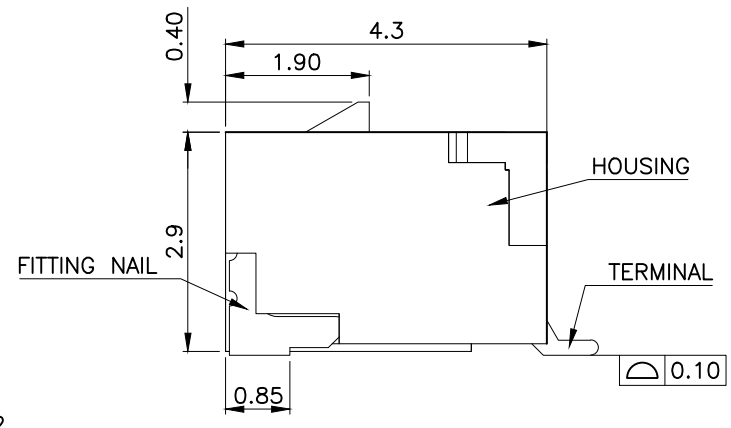
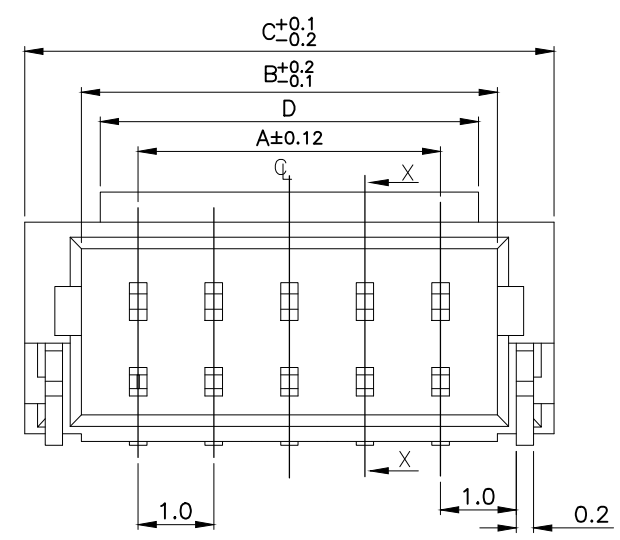


REVISIONS					
P	LTR	DESCRIPTION	DATE	DWN	APVD
	A	REVISED	27AUG2020	J.J	W.H



RECOMMENDED PCB LAYOUT
GENERAL TOLERANCE ±0.05

- NOTES:
- MATERIAL:
 - HOUSING: HALOGEN FREE PLASTIC, HIGH TEMP, BLACK ,UL94V-0.
 - CONTACT: COPPER ALLOY
 - FITTING NAIL: COPPER ALLOY
 - FINISH:
 - TERMINAL:
 - TYPE A: 50u" MIN. NICKEL UNDERPLATING OVERALL.
50u" MIN. MATT TIN PLATING ON CONTACT AREA AND SOLDER AREA.
 - TYPE B: 50u" MIN. NICKEL UNDERPLATING OVERALL.
GOLD FLASH PLATING ON CONTACT AREA.
GOLD FLASH PLATING ON SOLDER AREA.
 - TYPE C: 50u"MIN. NICKEL UNDERPLATING OVERALL.
30u" GOLD PLATING ON CONTACT AREA.
GOLD FLASH PLATING ON SOLDER AREA
 - FITTING NAIL: 50u" MIN. NICKEL UNDERPLATING OVERALL.
1:GOLD FLASH PLATING ON SOLDER AREA.
 - REFLOW SOLDER CAPABLE TO 260°C PER ACES SPEC.
 - PACKAGE STYLE: TAPE AND REEL.



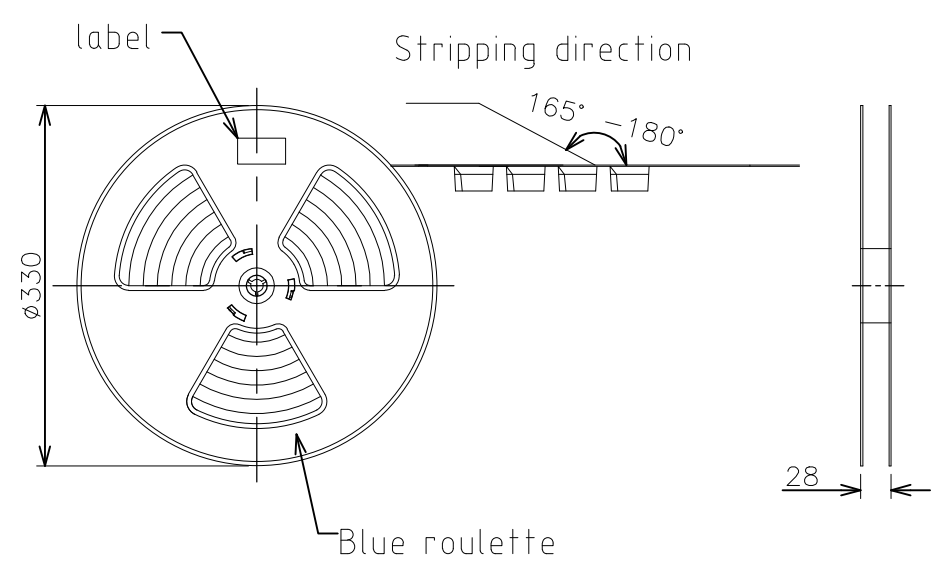
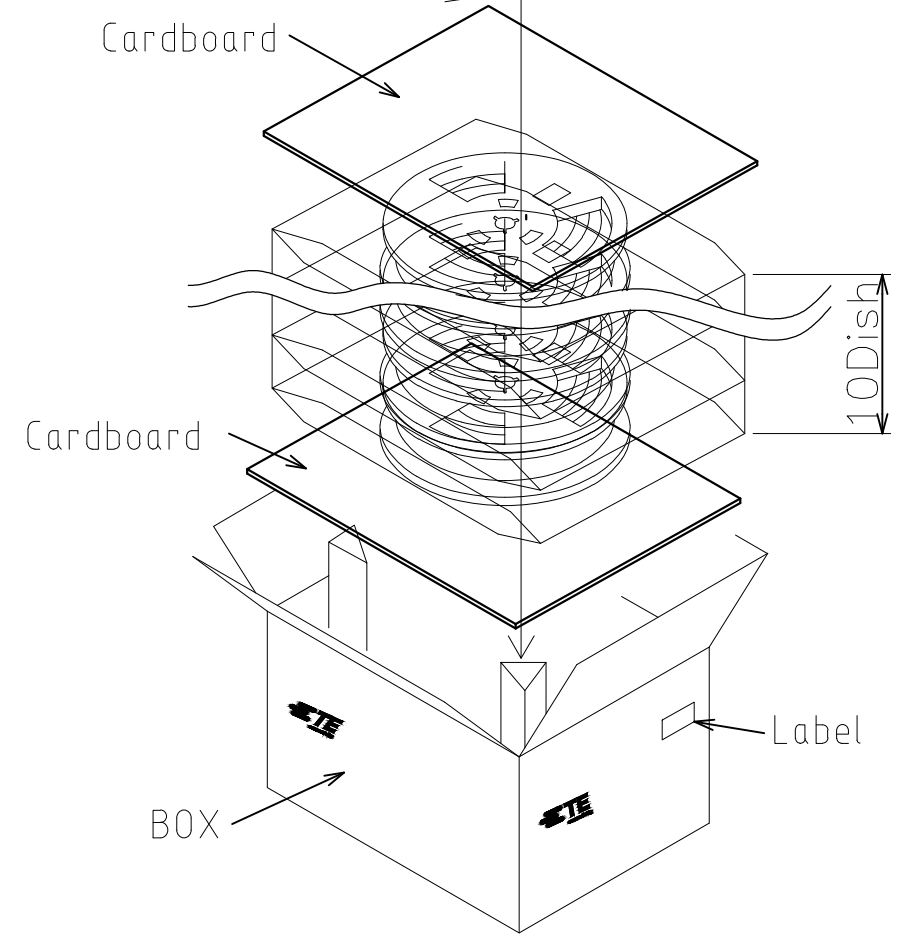
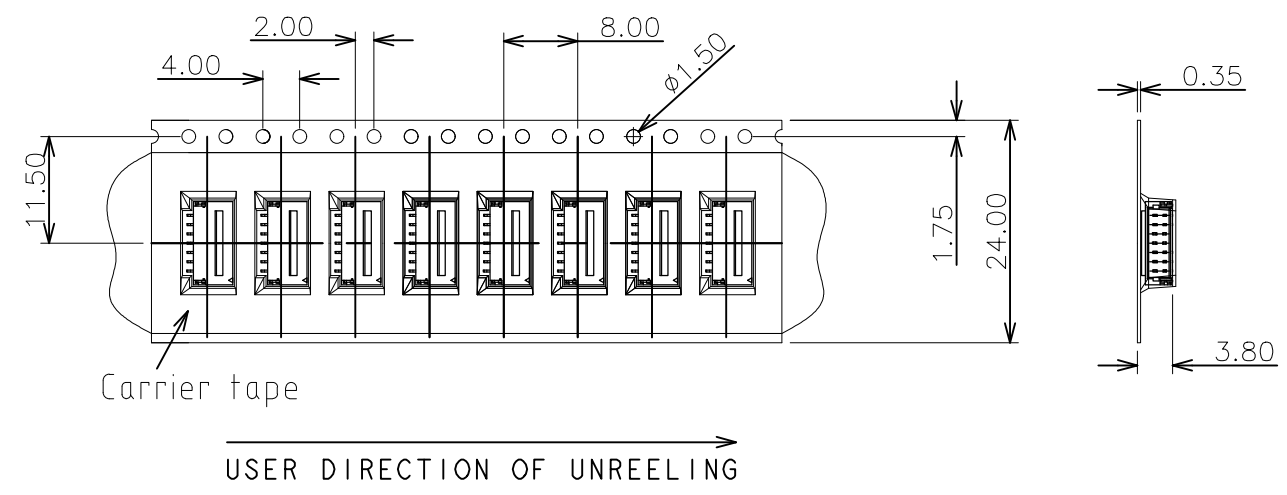
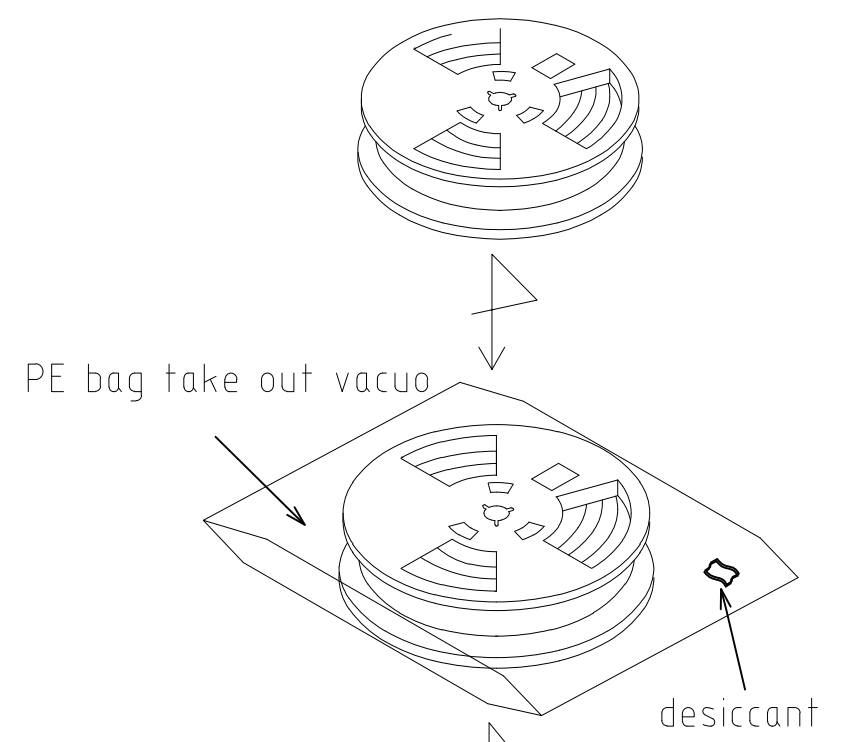
15.0	17.0	15.4	14.0	15	5-2367196-5	3-2367196-5	1-2367196-5
14.0	16.0	14.4	13.0	14	5-2367196-4	3-2367196-4	1-2367196-4
13.0	15.0	13.4	12.0	13	5-2367196-3	3-2367196-3	1-2367196-3
12.0	14.0	12.4	11.0	12	5-2367196-2	3-2367196-2	1-2367196-2
11.0	13.0	11.4	10.0	11	5-2367196-1	3-2367196-1	1-2367196-1
10.0	12.0	10.4	9.0	10	5-2367196-0	3-2367196-0	1-2367196-0
9.0	11.0	9.4	8.0	9	4-2367196-9	2-2367196-9	2367196-9
8.0	10.0	8.4	7.0	8	4-2367196-8	2-2367196-8	2367196-8
7.0	9.0	7.4	6.0	7	4-2367196-7	2-2367196-7	2367196-7
6.0	8.0	6.4	5.0	6	4-2367196-6	2-2367196-6	2367196-6
5.0	7.0	5.4	4.0	5	4-2367196-5	2-2367196-5	2367196-5
4.0	6.0	4.4	3.0	4	4-2367196-4	2-2367196-4	2367196-4
3.0	5.0	3.4	2.0	3	4-2367196-3	2-2367196-3	2367196-3
					TYPE C	TYPE B	TYPE A
DIM.D	DIM.C	DIM,B	DIM.A	POS.NO.	PLATING SPEC.		
P/N							

THIS DRAWING IS A CONTROLLED DOCUMENT.

DIMENSIONS: mm	TOLERANCES UNLESS OTHERWISE SPECIFIED: 0 PLC ± 0.5 1 PLC ± 0.35 2 PLC ± 0.25 3 PLC ± 0.15 4 PLC ± - ANGLES ± 2°	DWN Tommy Qian 18DEC2019 CHK - Wenke He APVD - Wenke He PRODUCT SPEC 108-115169 APPLICATION SPEC 114-115031 WEIGHT	TE Connectivity 1.0P WTB BOARD SIDE R/A TYPE WITH LATCH SIZE A3 CAGE CODE 00779 DRAWING NO C-2367196 RESTRICTED TO - SCALE N/A SHEET 1 OF 2 REV A	
MATERIAL SEE NOTE	FINISH -	CUSTOMER DRAWING		

© - TE Connectivity. All Rights Reserved.

REVISIONS					
P	LTR	DESCRIPTION	DATE	DWN	APVD
-	-	SEE SHEET 1	-	-	-



Note:
 PACKAGE FOR x-2367196-x
 Quantity: 2100pcs/reel
 21000pcs/box.

THIS DRAWING IS A CONTROLLED DOCUMENT.		DWN Tommy Qian 18DEC2019	TE Connectivity		
DIMENSIONS: mm		CHK Wenke He			
TOLERANCES UNLESS OTHERWISE SPECIFIED:		APVD Wenke He	1.0P WTB BOARD SIDE R/A TYPE WITH LATCH		
0 PLC ± 0.5 1 PLC ± 0.35 2 PLC ± 0.25 3 PLC ± 0.15 4 PLC ± - ANGLES ± - ± *		PRODUCT SPEC 108-115169	-		
MATERIAL SEE NOTE		FINISH -	APPLICATION SPEC 114-115031	SIZE A3	CAGE CODE 00779
			DRAWING NO C-2367196	DRAWING NO	RESTRICTED TO -
			WEIGHT	SCALE N/A	SHEET 2 OF 2
			CUSTOMER DRAWING	REV A	