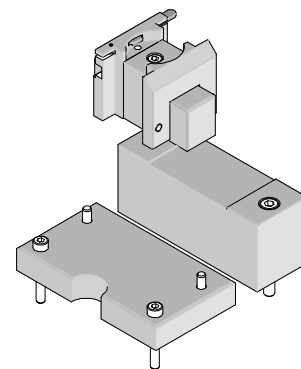




**IDT Ribbon Cable Adapter Kit
Specification Sheet for
2.0mm Milli-Grid™ Dual row 87568 Series
Order No. 62100-2400**



FEATURES

- This Adapter Kit is used only with the 62100-2000 IDT Ribbon Cable module inserted into the 11-31-6356 Molex Standard Manual Assembly Press
- It is a simple design for easy termination of flat ribbon cable into the Molex 2mm Mill-Grid™ IDT Dual Row connector, 87568 Series
- The tool is easily adjusted for circuit sizes from 10 to 50.
- An adjustable cable stop allows the operator to consistently produce quality “Feed-To”, “Feed-Through”, or “Daisy Chain” type harnesses.

SCOPE

Products: 2.00mm (.079") Pitch Mill-Grid™ Cable-to-Board Receptacle, Dual Row, IDT

Series number 87568								
Circuit Size	Receptacle Order Number							
10	87568-1011	87568-1043	87568-1053	87568-1063	87568-1073	87568-1081	87568-1083	87568-1093
	87568-1012	87568-1044	87568-1054	87568-1064	87568-1074	87568-1082	87568-1084	87568-1094
12	87568-1243	87568-1263	87568-1273	87568-1281	87568-1283	87568-1293		
	87568-1244	87568-1264	87568-1274	87568-1282	87568-1284	87568-1294		
14	87568-1443	87568-1463	87568-1473	87568-1481	87568-1483	87568-1493		
	87568-1444	87568-1464	87568-1474	87568-1482	87568-1484	87568-1494		
16	87568-1643	87568-1663	87568-1673	87568-1681	87568-1683	87568-1693		
	87568-1644	87568-1664	87568-1674	87568-1682	87568-1684	87568-1694		
20	87568-2011	87568-2043	87568-2063	87568-2073	87568-2081	87568-2083	87568-2093	
	87568-2012	87568-2044	87568-2064	87568-2074	87568-2082	87568-2084	87568-2094	
22	87568-2243	87568-2263	87568-2273	87568-2281	87568-2283	87568-2293		
	87568-2244	87568-2264	87568-2274	87568-2282	87568-2284	87568-2294		
24	87568-2411	87568-2443	87568-2463	87568-2473	87568-2481	87568-2483	87568-2493	
	87568-2412	87568-2444	87568-2464	87568-2474	87568-2482	87568-2484	87568-2494	
26	87568-2643	87568-2663	87568-2673	87568-2681	87568-2683	87568-2693		
	87568-2644	87568-2664	87568-2674	87568-2682	87568-2684	87568-2694		
30	87568-3043	87568-3063	87568-3073	87568-3081	87568-3083	87568-3093		
	87568-3044	87568-3064	87568-3074	87568-3082	87568-3084	87568-3094		
34	87568-3411	87568-3443	87568-3463	87568-3473	87568-3481	87568-3483	87568-3493	
	87568-3412	87568-3444	87568-3464	87568-3474	87568-3482	87568-3484	87568-3494	
36	87568-3643	87568-3663	87568-3671	87568-3673	87568-3682	87568-3684	87568-3694	
	87568-3644	87568-3664	87568-3672	87568-3674	87568-3683	87568-3693		
40	87568-4011	87568-4043	87568-4063	87568-4073	87568-4081	87568-4083	87568-4093	
	87568-4012	87568-4044	87568-4064	87568-4074	87568-4082	87568-4084	87568-4094	
44	87568-4411	87568-4443	87568-4463	87568-4473	87568-4481	87568-4483	87568-4493	87568-7003
	87568-4412	87568-4444	87568-4464	87568-4474	87568-4482	87568-4484	87568-4494	87568-7004
50	87568-5011	87568-5043	87568-5063	87568-5073	87568-5081	87568-5083	87568-5093	
	87568-5012	87568-5044	87568-5064	87568-5074	87568-5082	87568-5084	87568-5094	

Installation:

This tool kit is intended for use only in the Molex Standard Manual Assembly Press Order No. 11-31-6356 (AM60026-50).

Note: Follow the operating instructions in the ATS-621003200 instruction manual.

PARTS LIST

Adaptor Kit 62100-2400				
Item	Order No	Engineering No.	Description	Quantity
Main Components				
1	11-20-1314	AM63240Q	Quick Release for Upper Tooling	1
2	62100-2401	62100-2401	Ram-Milli-Grid	1
3	62100-2402	62100-2402	Adaptor Plate-Red Press	1
4	62100-2403	62100-2403	Support-Cable	1
Hardware				
5	N/A	N/A	M4 by 16 Long SHCS	2**
6	N/A	N/A	M4 by 30 Long SHCS	2**
7	N/A	N/A	M5 by 50 Long SHCS	2**

** Available from an industrial supply company such as MSC (1-800-645-7270).

Assembly

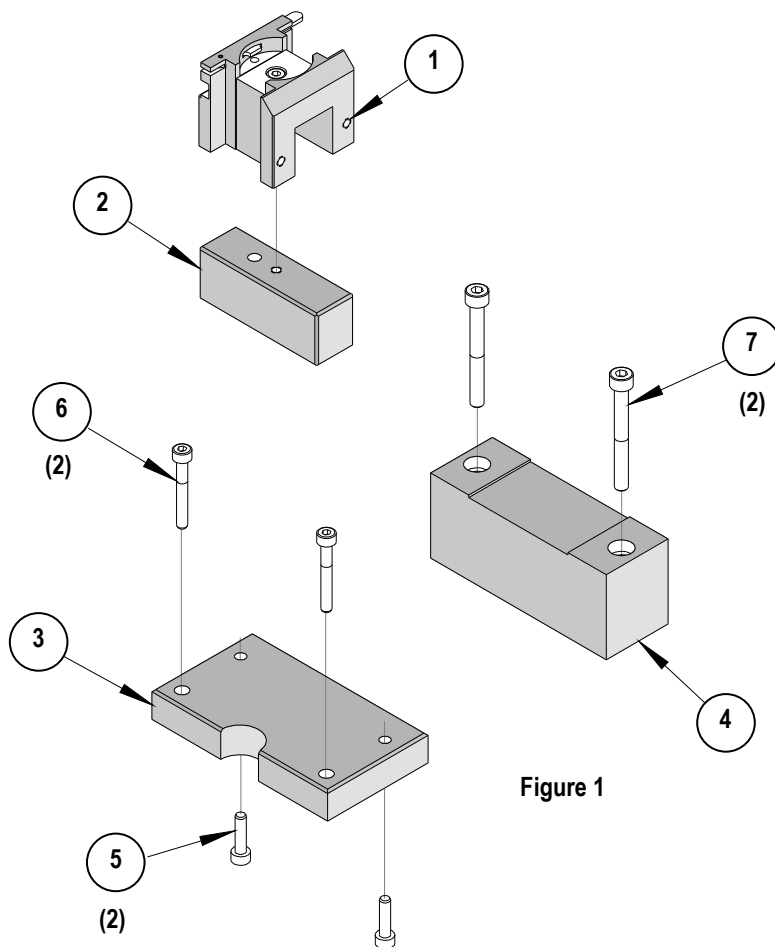


Figure 1

Americas Headquarters
 Lisle, Illinois 60532 U.S.A.
 1-800-78MOLEX
 amerinfo@molex.com

Far East North Headquarters
 Yamato, Kanagawa, Japan
 81-462-65-2324
 feninfo@molex.com

Far East South Headquarters
 Jurong, Singapore
 65-6-268-6868
 fesinfo@molex.com

European Headquarters
 Munich, Germany
 49-89-413092-0
 eurinfo@molex.com

Corporate Headquarters
 2222 Wellington Ct.
 Lisle, IL 60532 U.S.A.
 630-969-4550
 Fax: 630-969-1352

Visit our Web site at <http://www.molex.com>