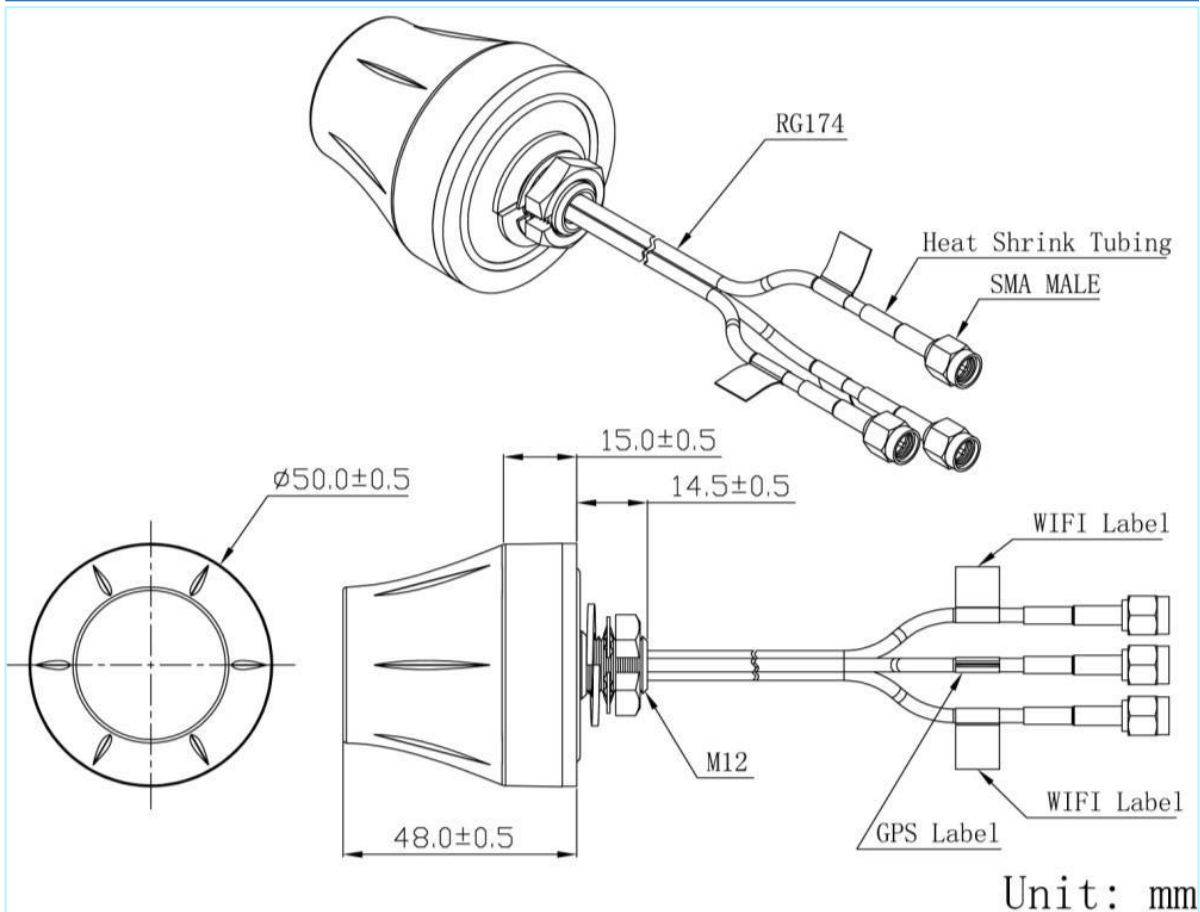


GPS+LTE (including 700MHz)+WIFI Combination Antenna screw mount

AN\_GPS\_LTE\_WF\_058



### Mechanical dimension



Suzhou maswell communication technology co. Ltd

Add: Floor 3, Building 6, No. 88 Zhenbei Road, High-tech District, Suzhou 215153, Jiangsu, China

Http://www.maswelltech.com

E-mail: Sales@maswelltech.com

## GPS+LTE (including 700MHz)+WIFI Combination Antenna screw

## Specifications

Item		Specifications	
GPS Antenna	Dielectric Antenna	Center Frequency	1575.42±3MHz
		Band Width	CF±5MHz
		Polarization	RHCP
		Gain	2dBic (Zenith)
		V.S.W.R	<1.5
		Impedance	50Ω
	LNA	Axial Ratio	3dB (max)
		Gain	28±2dB
		Noise Figure	<1.5dB
		Ex-band Attenuation	12dB@CF+50MHz/16dB@CF-50MHz
		V.S.W.R	<2.0
		Supply Voltage	2.2~5V DC
Current Consumption	<15mA		
GSM Antenna	Frequency Range	698~960/1710~2690MHz	
	V.S.W.R	<2.0	
	Polarization	Linear	
	Gain	2.0dBi	
	Impedance	50Ω	
WIFI Antenna	Frequency Range	2400~2483.5MHz	
	Band Width	83.5MHz	
	Polarization	Linear	
	Gain	3dBi	
	V.S.W.R	<2.0	
	Impedance	50Ω	
Mechanical	Cable	RG174	
	Connector	SMA/MCX/AKRA or others	
	Material	ABS	
	Mounting Method	Screw	



GPS+LTE (including 700MHz)+WIFI Combination Antenna screw

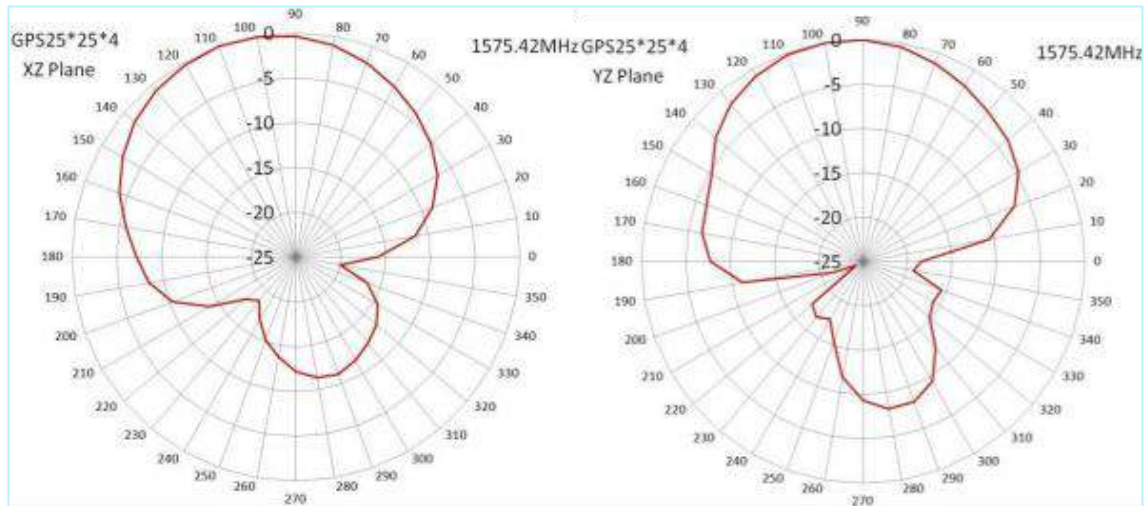
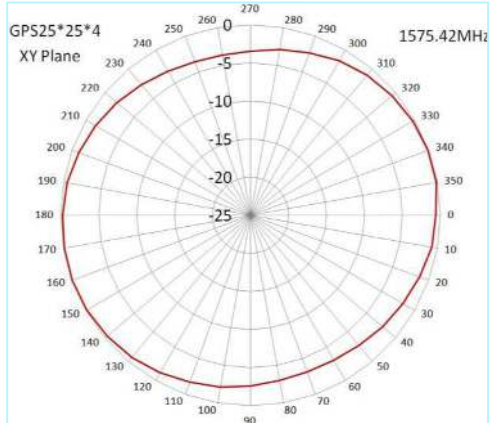
## Specifications

Environmental	Operating Temperature	-40°C~+85°C
	Relative Humidity	Up to 95%
	Ingress Protection	IP66 (exclude cable outlet)
	Vibration	10 to 55Hz with 1.5mm amplitude 2hours
	Environmentally Friendly	ROHS Compliant

GPS+LTE (including 700MHz)+WIFI Combination Antenna screw

## Radiation Patterns

GPS Antenna





## Radiation Patterns

### WIFI Antenna

