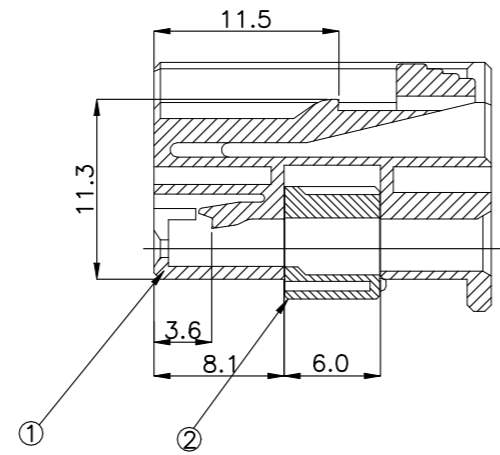
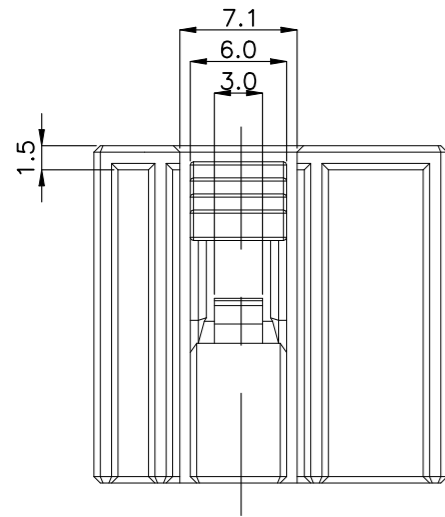
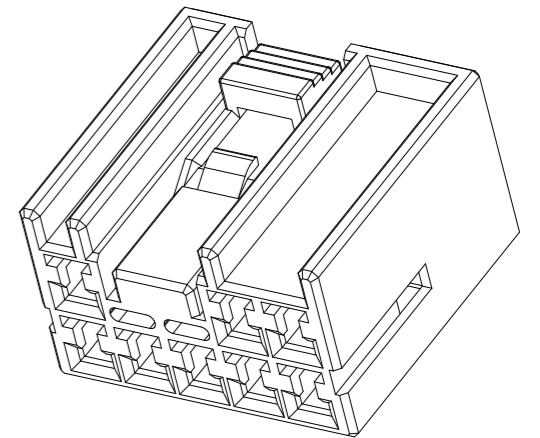


P	LTR	DESCRIPTION	DATE	DWN	APVD
	B4	REVISED (ECR-23-172163)	13APR2023	HG	YJ



SECTION A-A

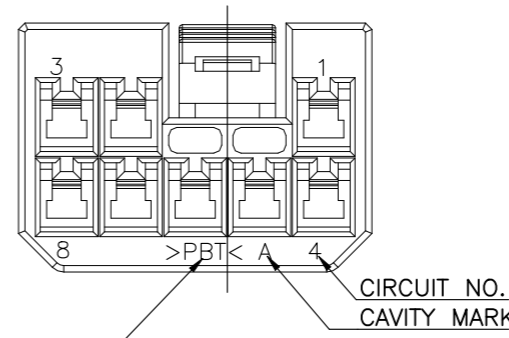
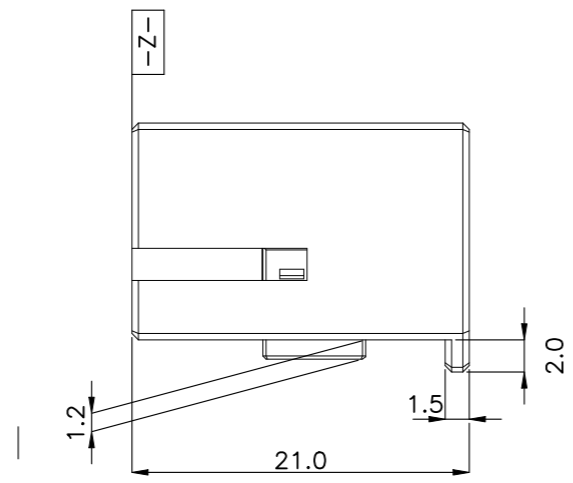
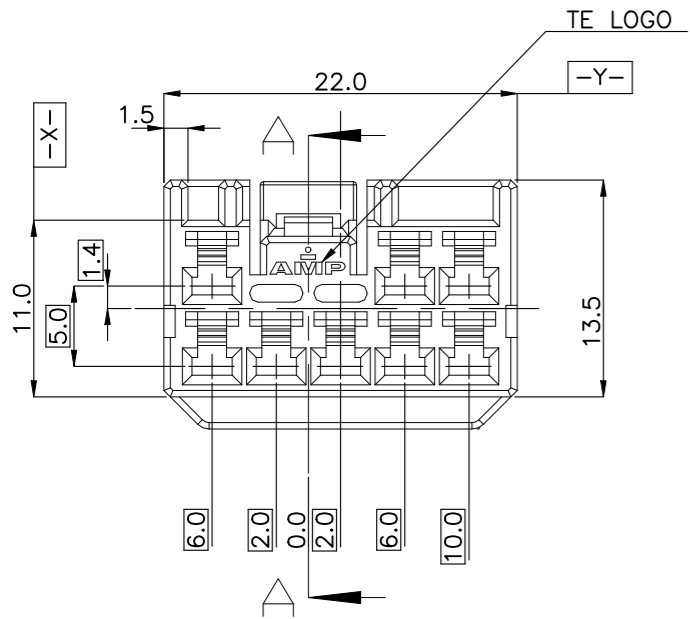


NOTES.

- THE MATING HSG. P/N ; 936242
- APPLIED CONTACT P/N ;  
 090 II REC.- 368083,368084,368085  
 090 III REC.- 1743654,1743655,1743656,1897753,1897598

-추가-

- 상대 하우징 P/N. ; 936242
- 적용단자 P/N. ; 090 II REC.- 368083,368084,368085  
 090 III REC.- 1743654,1743655,1743656,1897753,1897598



NO	COLOR	MATERIAL	DESCRIPTION	P/N	QTY
1	BLUE	PBT	PLUG	936234-8	1
	GREEN	PBT	PLUG	936234-7	1
	RED	PBT	PLUG	936234-6	1
	YELLOW	PBT	PLUG	936234-5	1
	BROWN	PBT	PLUG	936234-4	1
	D/GRAY	PBT	PLUG	936234-3	1
	BLACK	PBT	PLUG	936234-2	1
	NATURAL	PBT	PLUG	936234-1	1
2	NATURAL	PBT	DBL	936235-1	1 1 1 1 1 1 1 1

TOLERANCES UNLESS OTHERWISE SPECIFIED:

0 <XX<10	± 0.2
10<XX<30	± 0.25
30<XX	± 0.3
ANGLES	± 3°

THIS DRAWING IS A CONTROLLED DOCUMENT.

DIMENSIONS:	TOLERANCES UNLESS OTHERWISE SPECIFIED:
mm	
0 PLC	± -
1 PLC	± -
2 PLC	± -
3 PLC	± -
4 PLC	± -
ANGLES	± -
MATERIAL	FINISH
SEE TABLE	-

DWN	JM JEON	TE Connectivity		
CHK	-			
APVD	JW JUNG	NAME		
PRODUCT SPEC	-	090III 8P PLUG ASS'Y		
APPLICATION SPEC	-	-		
WEIGHT	0	SIZE	CAGE CODE	DRAWING NO
CUSTOMER DRAWING	-	A3	00779	C-936233
SCALE	2:1	SHEET	1 OF 1	REV B4