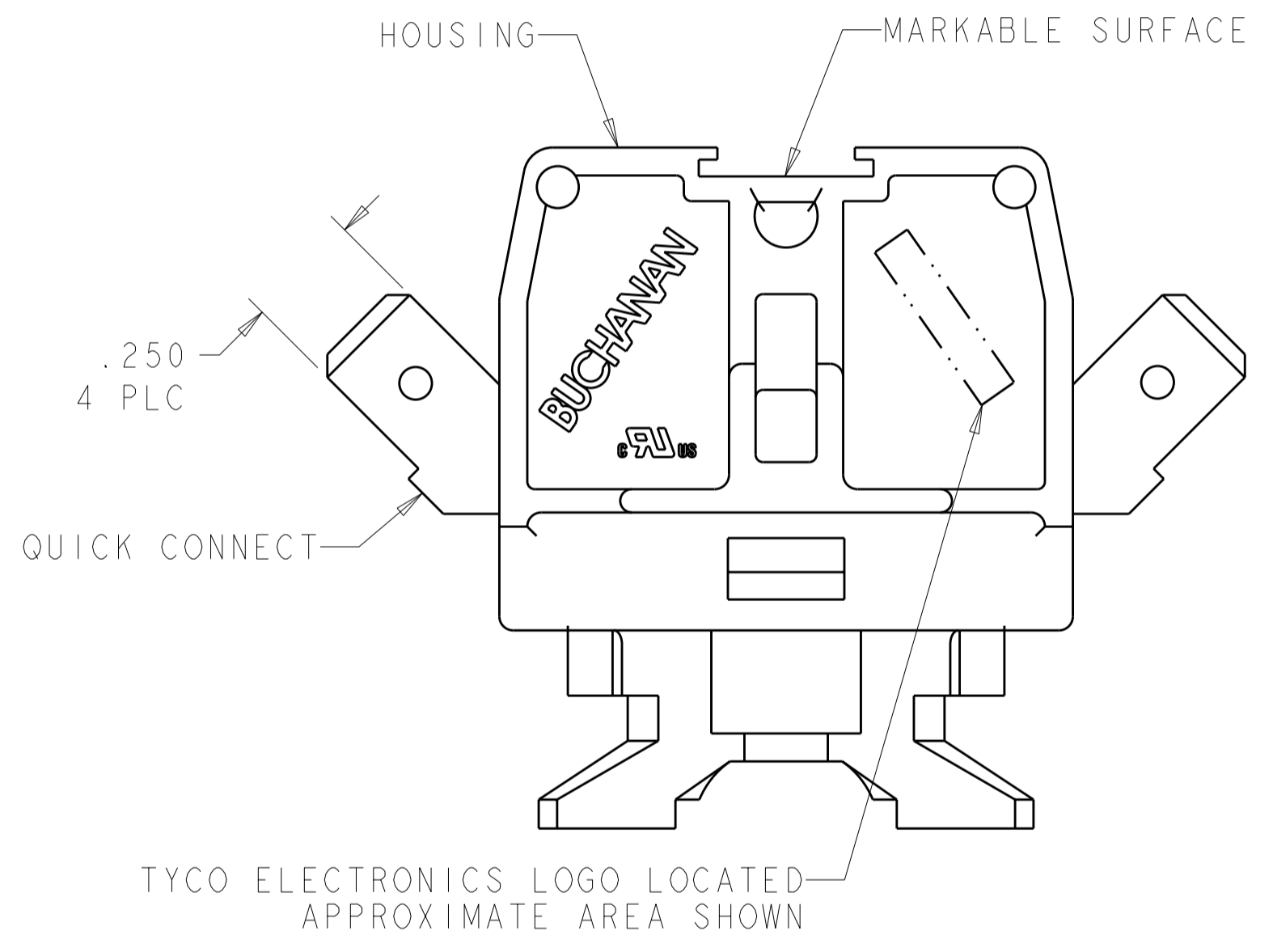
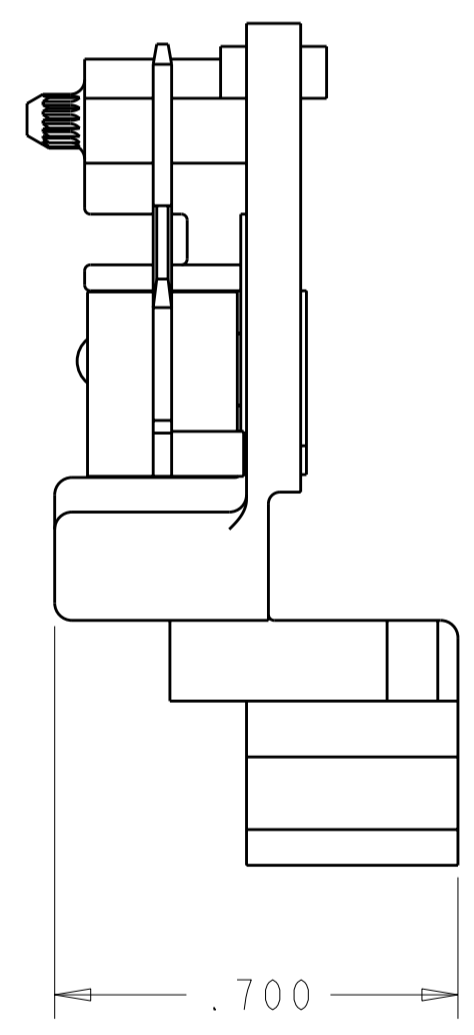
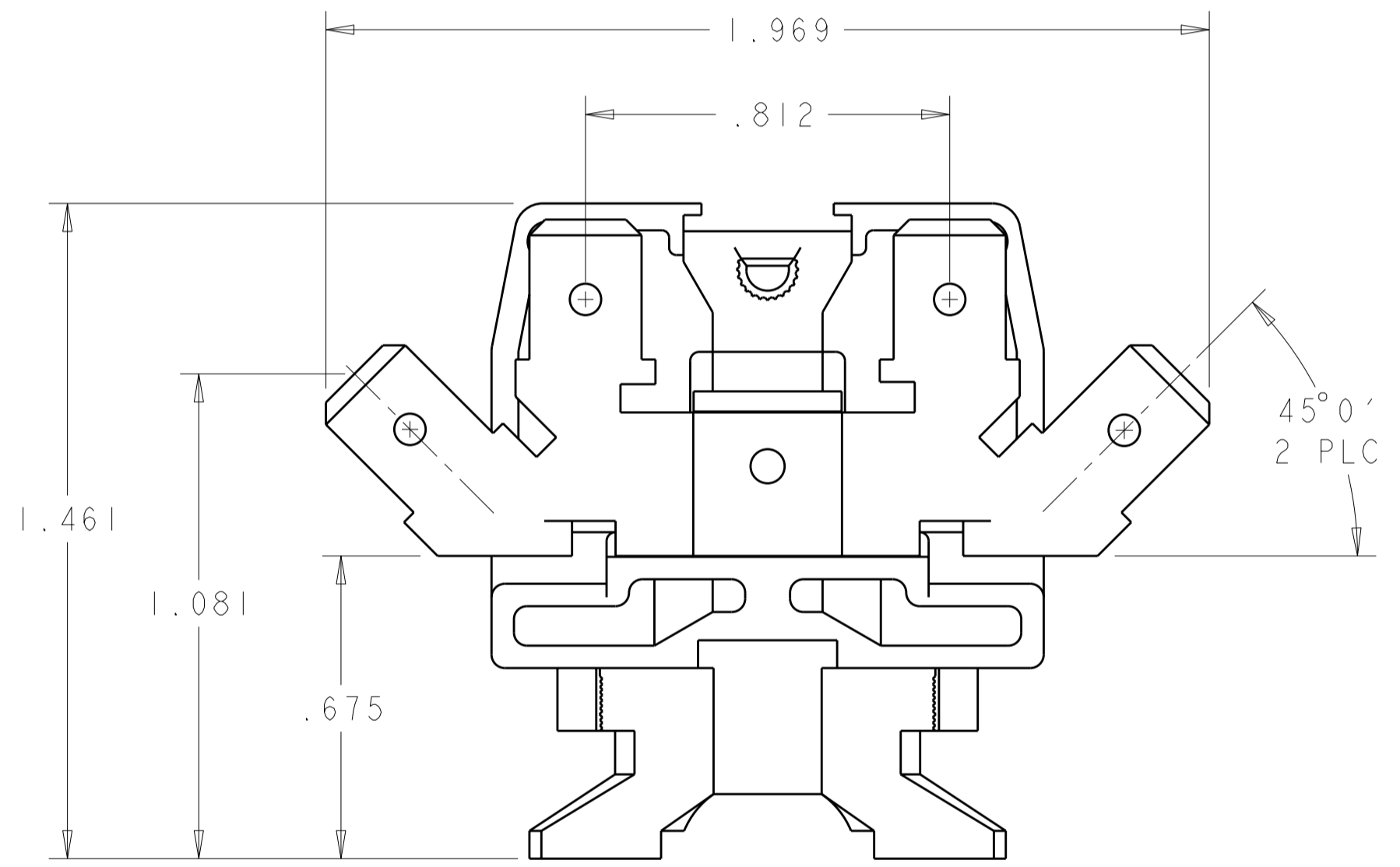
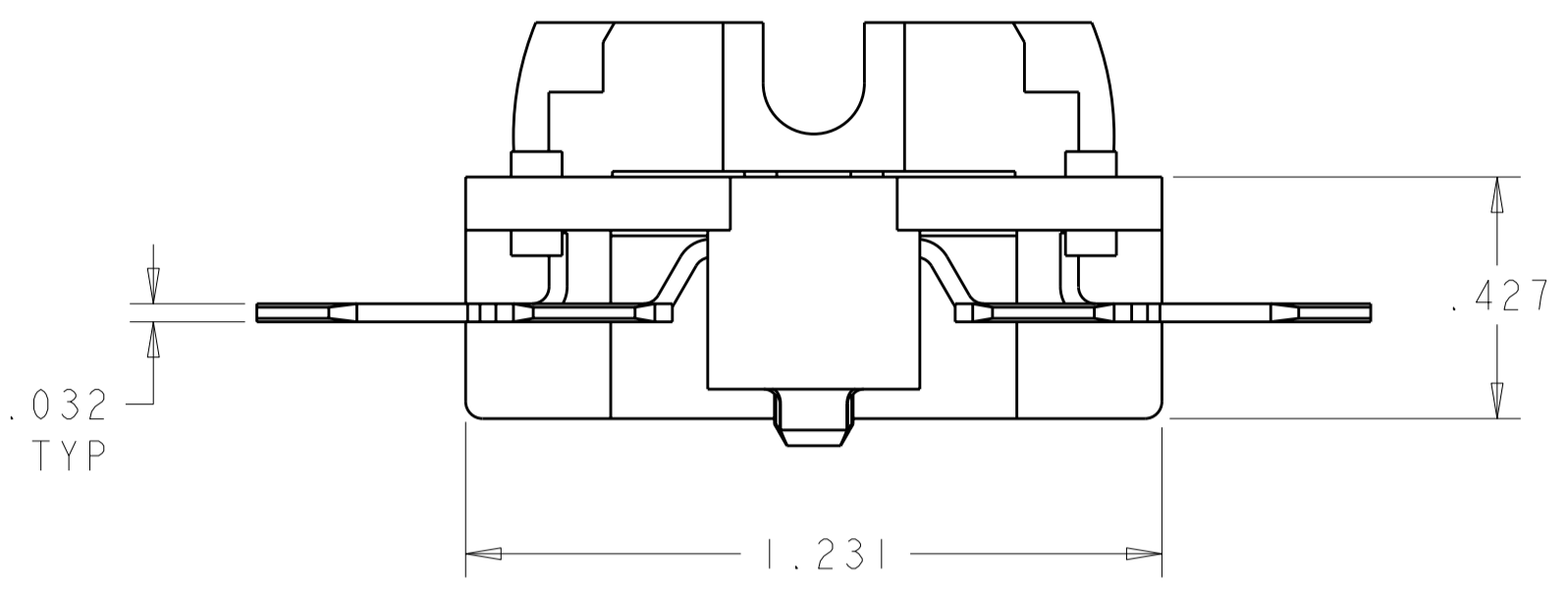


THIS DRAWING IS UNPUBLISHED. RELEASED FOR PUBLICATION 20  
 © COPYRIGHT 20 BY TYCO ELECTRONICS CORPORATION. ALL RIGHTS RESERVED.

LOC	DIST	REVISIONS			
P	LTR	DESCRIPTION	DATE	DWN	APVD
FT	0				
	B	REVISED PER ECO-10-006414	26MAR2010	HMR	CR



- 1. PHYSICAL PROPERTIES  
 HOUSING: POLYESTER, UL 94V-0 RATED, COLOR: GRAY.  
 QUICK CONNECT: COPPER ALLOY, TIN PLATED.
- 2. MECHANICAL  
 PITCH: .375  
 MOUNTING: STANDARD CHANNEL AND CLAMP.  
 OPERATING TEMPERATURE: 150°C MAX.
- 3. ELECTRICAL  
 MAXIMUM CURRENT: 20A  
 OPERATING VOLTAGE: 300 V

1546150-1  
 PART NUMBER

<small>THIS DRAWING IS A CONTROLLED DOCUMENT FOR TYCO ELECTRONICS CORPORATION. IT IS SUBJECT TO CHANGE AND THE CONTROLLING ENGINEERING ORGANIZATION SHOULD BE CONTACTED FOR THE LATEST REVISION.</small>		DWN S. WELDON 17JUN2002 CHK S. YODER 17JUN2002 APVD S. YODER 17JUN2002	Tyco Electronics Harrisburg, PA 17105-3608
DIMENSIONS: INCHES	TOLERANCES UNLESS OTHERWISE SPECIFIED: 0 PLC ± 1 PLC ± 2 PLC ± 3 PLC ±.005 4 PLC ± ANGLES ± FINISH	PRODUCT SPEC APPLICATION SPEC WEIGHT	NAME ASSEMBLY, TERMINAL BLOCK, NEMA, DOVETAIL BASE, MEDIUM DUTY, FOUR SIDED QUICK CONNECT SIZE A2 CAGE CODE 00779 DRAWING NO. 1546150 RESTRICTED TO CUSTOMER DRAWING SCALE 3:1 SHEET 1 OF 1 REV B